

# PRODUCT DATA SHEET



## PRODUCT - DATA

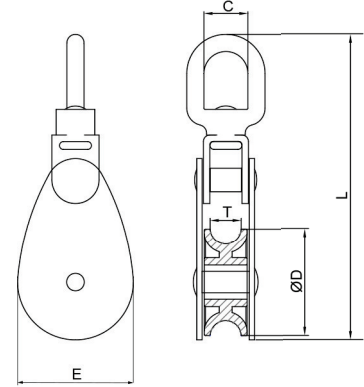
**S3141**

Mame block (cast sheave)

### S3141

#### Technical Data

Casting material : AISI304 - DIN 1.4308  
 Stamping material : AISI304 - DIN 1.4301  
 Production : S3141  
     Swivel eye - Cast  
     Sheave - Nylon  
     Block(sheet) - Stamped  
 Surface treatment : "E.P." (Electro polished)



**M** Metric **S3141**  
 Mame block  
 (cast sheave)

Note : Standard safety factor for working load is 1/4 of breaking load.

S3141		SIZE	C	C	ØD	ØD	E	E	L	L	T	T	Unit weight	Unit weight	B.L.	B.L.
SS304			(mm)	(inch)	(mm)	(inch)	(mm)	(inch)	(mm)	(inch)	(mm)	(inch)	(kgs)	(lb)	(kgs)	(lb)
4314-1025	<b>25</b>	13.0	0.51	25	0.98	30	1.18	87.5	3.44	8	0.31	0.11	0.24	1,500	3,300	
4314-1032	<b>32</b>	14.5	0.57	32	1.26	36	1.41	104.0	4.09	9	0.35	0.15	0.33	1,700	3,740	
4314-1050	<b>50</b>	20.5	0.81	50	1.97	54	2.12	142.0	5.59	15	0.59	0.39	0.86	2,800	6,160	

CODE: S3141

KINZI DATA SHEET

**100%**  
**RECYCLABLE**

[WWW.KINZI.COM](http://WWW.KINZI.COM)