

PRODUCT DATA SHEET



PRODUCT - DATA

S313-E1

Taruma block (cast sheave with brass bushing)

S313-E1

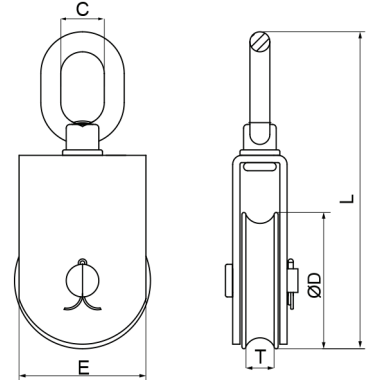
Technical Data

Casting material : AISI304 - DIN 1.4308
 Forging material : AISI304 - DIN 1.4301
 Production : S313- E1
 Swivel eye - Cast
 Sheave - Cast
 Block - Cast
 Surface treatment : "E.P." (Electro polished)

Note : Standard safety factor for working load is 1/4 of breaking load.



S313-E1
Taruma block
 (cast sheave with brass bushing)



S313-E1		SIZE	C	C	ØD	ØD	E	E	L	L	T	T	Unit weight	Unit weight	B.L.	B.L.
SS304			(mm)	(inch)	(mm)	(inch)	(mm)	(inch)	(mm)	(inch)	(mm)	(inch)	(kgs)	(lb)	(kgs)	(lb)
4313-3050	50	20.5	0.81	50	1.96	50	1.96	124	4.88	14	0.55	0.42	0.92	3,500	7,700	
4313-3075	75	24.0	0.94	75	2.95	75	2.95	170	6.69	16	0.62	0.91	2.00	4,000	8,800	
4313-3100	100	24.0	0.94	100	3.93	100	3.93	205	8.07	19	0.74	1.55	3.41	5,500	12,100	

CODE: S313-E1

KINZI DATA SHEET

100%
RECYCLABLE

WWW.KINZI.COM