

PRODUCT DATA SHEET



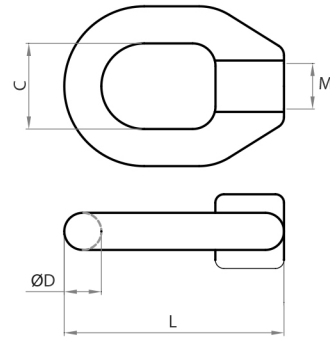
PRODUCT - DATA

S3062/E2
Swivel cross screw

S3062/E2

Technical Data

Casting material : AISI316 - DIN 1.4408
 Production : S3062/E2 - Swivel - Cast
 Surface treatment : "E.P." (Electro polished)



M Metric **I** Imperial **S3062/E2**
Swivel cross screw

S3062/E2		SIZE	C	C	ØD	ØD	L	L	M	Unit weight (kgs)	Unit weight (lb)
SS316			(mm)	(inch)	(mm)	(inch)	(mm)	(inch)	(mm/inch)		
6306-2208	8	15	0.59	6.5	0.26	37.5	1.48	M8	0.05	0.11	
6306-2526	5/16"	15	0.59	6.5	0.26	37.5	1.48	5/16"	0.05	0.11	

CODE: S3062/E2

KINZI DATA SHEET

100%
RECYCLABLE

WWW.KINZI.COM