

# PRODUCT DATA SHEET



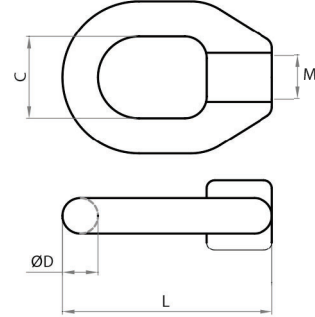
## PRODUCT - DATA

**S3062/E1**  
Swivel screw

### S3062/E1

#### Technical Data

Casting material : AISI316 - DIN 1.4408  
Production : S3062/E1 - Swivel - Cast  
Surface treatment : "E.P." (Electro polished)



**M** **J** S3062/E1  
Metric imperial Swivel screw

S3062/E1 SS316	SIZE	C (mm)	C (inch)	ØD (mm)	ØD (inch)	L (mm)	L (inch)	M (mm/inch)	Unit weight (kgs)	Unit weight (lb)
6306-2108	8	15	0.59	6.5	0.26	37.5	1.48	M8	0.02	0.04
6306-2536	5/16"	15	0.59	6.5	0.26	37.5	1.48	5/16"	0.02	0.04

CODE: S3062/E1

KINZI DATA SHEET

**100%**  
**RECYCLABLE**

[WWW.KINZI.COM](http://WWW.KINZI.COM)