

PRODUCT DATA SHEET



PRODUCT - DATA

S3061

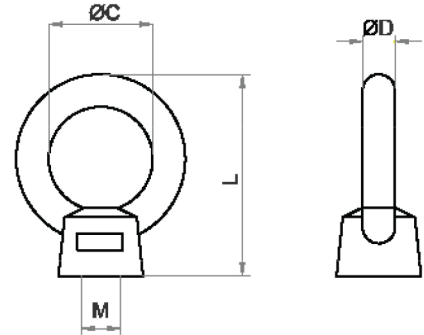
Lifting eye nut - SUS type

S3061

Technical Data

Casting material : AISI304 - DIN 1.4308
 AISI316 - DIN 1.4408
 Production : S3061 - Nut - Cast
 Surface treatment : "E.P." (Electro polished)

Note : Standard safety factor for working load
 is 1/4 of breaking load



Metric Imperial S3061
 Lifting eye nut - SUS type

S3061		SIZE	ØC (mm)	ØC (inch)	ØD (mm)	ØD (inch)	L (mm)	L (inch)	M (mm/inch)	Unit weight (kgs)	Unit weight (lb)	B.L. (kgs)	B.L. (lb)
SS304	SS316												
4306-1006	6306-1006	6	16	0.63	5.0	0.20	31.0	1.22	M6	0.02	0.04	1,100	2,420
4306-1008	6306-1008	8	20	0.79	6.2	0.24	39.3	1.55	M8	0.03	0.07	1,800	3,960
4306-1010	6306-1010	10	25	0.98	8.0	0.31	48.0	1.89	M10	0.06	0.13	2,600	5,720
4306-1012	6306-1012	12	30	1.18	10.0	0.39	61.0	2.40	M12	0.11	0.24	3,500	7,700
4306-1016	6306-1016	16	35	1.38	12.5	0.49	72.0	2.83	M16	0.20	0.44	8,000	17,600
4306-1020	6306-1020	20	40	1.57	16.0	0.63	86.0	3.39	M20	0.37	0.81	10,500	23,100
4306-1220	6306-1220	22	46	1.81	19.0	0.75	107.0	4.21	M22	0.60	1.32	11,000	24,200
4306-1030	6306-1030	30	60	2.36	25.0	0.98	135.0	5.31	M30	1.02	2.24	20,000	44,000
4306-1104	6306-1104	1/4"	16	0.63	5.0	0.20	31.0	1.22	1/4"	0.02	0.04	1,200	2,640
4306-1516	6306-1516	5/16"	20	0.79	6.2	0.24	39.3	1.55	5/16"	0.03	0.07	1,300	2,860
4306-1308	6306-1308	3/8"	25	0.98	8.0	0.31	48.0	1.89	3/8"	0.06	0.13	2,600	5,720
4306-1102	6306-1102	1/2"	30	1.18	10.0	0.39	61.0	2.40	1/2"	0.11	0.24	3,500	7,700
4306-1508	6306-1508	5/8"	35	1.38	12.5	0.49	72.0	2.83	5/8"	0.19	0.42	8,000	17,600
4306-1304	6306-1304	3/4"	40	1.57	16.0	0.63	86.0	3.39	3/4"	0.34	0.75	10,500	23,100
4306-1101	6306-1101	1"	50	1.97	20.0	0.79	111.0	4.37	1"	0.73	1.61	14,450	31,790

CODE: S3061

KINZI DATA SHEET

**100%
 RECYCLABLE**

WWW.KINZI.COM