

PRODUCT DATA SHEET



PRODUCT - DATA

S301
Pull up cleat

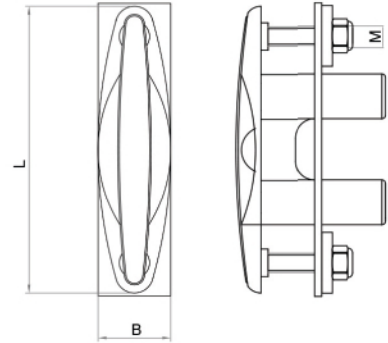
S301

Technical Data

Casting material : AISI316 - DIN 1.4408
 Production : S301 - Cleat - Cast
 Surface treatment : "E.P." (Electro polished)



 **S301**
Imperial Pull up cleat



S301 SS316	SIZE	B (mm)	B (inch)	L (mm)	L (inch)	M (inch)	Unit weight (kgs)	Unit weight (lb)
6301-0405	4.5"	30.5	1.20	121.6	4.79	5/16"-18UNC	0.43	0.95
6301-0600	6.0"	38.0	1.50	160.0	6.30	3/8"-16UNC	0.72	1.58
6301-0800	8.0"	51.0	2.01	214.3	8.44	3/8"-16UNC	1.33	2.93

CODE: S301

KINZI DATA SHEET

100%
RECYCLABLE

WWW.KINZI.COM