

PRODUCT DATA SHEET



PRODUCT - DATA

S249

Eye snaps (fixed ring)

S249

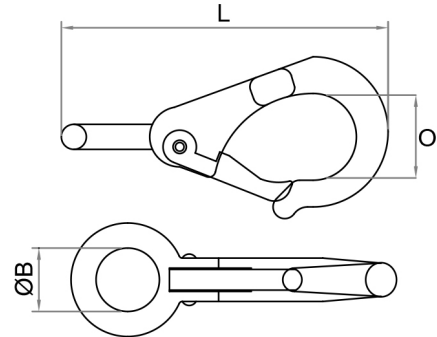
Technical Data

Casting material : AISI304 - DIN 1.4308/
 AISI316 - DIN 1.4408
 Production : S249 - Snap - Cast
 Surface treatment : "E.P." (Electro polished)

Note : Standard safety factor for working load
 is 1/4 of breaking load



M S249
 Metric Eye snaps (fixed ring)



S249		SIZE	ØB (mm)	ØB (inch)	L (mm)	L (inch)	O (mm)	O (inch)	Unit weight (kgs)	Unit weight (lb)	B.L. (kgs)	B.L. (lb)
SS304	SS316											
4249-0000	6249-0000	0	10	0.39	53.5	2.11	10.0	0.39	0.02	0.04	160	352
4249-0001	6249-0001	1	16	0.63	73.0	2.87	15.0	0.59	0.04	0.09	200	440
4249-0002	6249-0002	2	19	0.75	81.5	3.21	17.0	0.67	0.06	0.13	300	660
4249-0003	6249-0003	3	19	0.75	98.0	3.86	23.5	0.93	0.11	0.24	450	990

CODE: S249

KINZI DATA SHEET

100%
RECYCLABLE

WWW.KINZI.COM