

PRODUCT DATA SHEET



PRODUCT - DATA

S2482

Snap shackle (cast swivel eye)

S2482

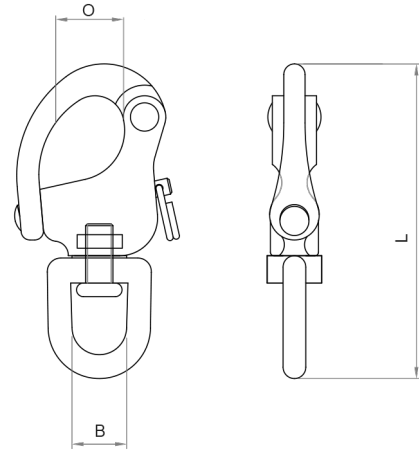
Technical Data

Casting material : AISI316 - DIN 1.4408
 Forging material : AISI316 - DIN 1.4401
 Production : S2482
 Shackle - Cast
 Swivel - Cast
 Pin - Forged
 Surface treatment : "E.P." (Electro polished)

Note : Standard safety factor for working load is 1/4 of breaking load



M Metric **S2482**
Snap shackle
(cast swivel eye)



S2482 SS316	SIZE	B (mm)	B (inch)	L (mm)	L (inch)	O (mm)	O (inch)	Unit weight (kgs)	Unit weight (lb)	B.L. (kgs)	B.L. (lb)
6248-2001	1	12	0.47	67	2.64	14	0.55	0.06	0.13	1,100	2,420
6248-2021	2	16	0.63	87	3.43	20	0.79	0.13	0.29	2,000	4,400
6248-2304	3	22	0.87	126	4.96	27	1.06	0.33	0.73	3,500	7,700

CODE: S2482

KINZI DATA SHEET

100%
RECYCLABLE

WWW.KINZI.COM