

PRODUCT DATA SHEET



PRODUCT - DATA

S2476

Snap shackle (stamped swivel jaw)

S2476

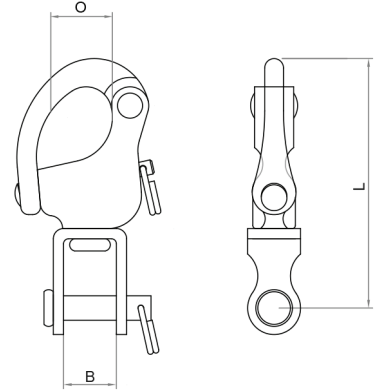
Technical Data

Casting material : AISI316 - DIN 1.4408
 Forging material : AISI316 - DIN 1.4401
 Production : S2476
 Shackle - Cast
 Swivel - Forged
 Pin - Forged
 Surface treatment : "E.P." (Electro polished)

Note : Standard safety factor for working load is 1/4 of breaking load



M Metric **S2476**
 Snap shackle
 (stamped swivel jaw)



S2476 SS316	SIZE	B (mm)	B (inch)	L (mm)	L (inch)	O (mm)	O (inch)	Unit weight (kgs)	Unit weight (lb)	B.L. (kgs)	B.L. (lb)
6247-6112	1	13	0.51	62	2.44	14	0.55	0.06	0.13	1,100	2,420
6247-6216	2	15	0.59	77	3.03	20	0.79	0.12	0.26	2,000	4,400
6247-6324	3	22	0.87	117	4.61	27	1.06	0.40	0.88	3,500	7,700

CODE: S2476

KINZI DATA SHEET

100%
RECYCLABLE

WWW.KINZI.COM