

# PRODUCT DATA SHEET



## PRODUCT - DATA

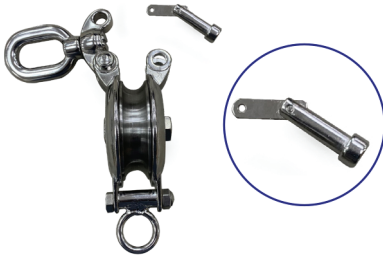
### S213-E1 Daruma block (eye top)

#### S213-E1

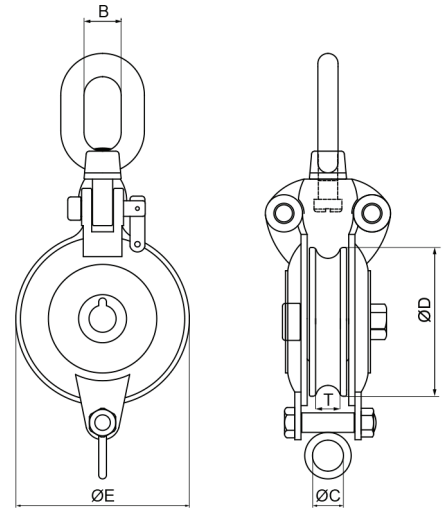
##### Technical Data

Casting material : AISI 316 - DIN 1.4408  
 Forging material : AISI 316 - DIN 1.4401  
 Production : S213-E1  
 Swivel eye - Cast  
 Sheave - Cast  
 Block - Cast  
 Eye end (rod) - Welded  
 Surface treatment : "E.P." (Electro polished)

Note : Standard safety factor for working load is 1/4 of breaking load.



**M** Metric **S213-E1**  
Daruma block (eye top)



S213-E1 SS316	SIZE	B (mm)	B (inch)	ØC (mm)	ØC (inch)	ØD (mm)	ØD (inch)	ØE (mm)	ØE (inch)	T (mm)	T (inch)	Unit weight (kgs)	Unit weight (lb)	B.L. (kgs)	B.L. (lb)
6213-1175	75	20	0.79	20	0.79	75	2.95	75	2.95	16	0.63	1.29	2.84	4,000	8,800
6213-1110	100	24	0.94	20	0.79	100	3.94	100	3.93	16	0.63	2.62	5.76	6,000	13,200
6213-1125	125	27	1.06	30	1.18	125	4.92	125	4.92	18	0.71	3.75	8.25	8,000	17,600
6213-1150	150	30	1.18	30	1.18	150	5.91	150	5.90	20	0.79	5.75	12.65	10,000	22,000

CODE: S213-E1

KINZI DATA SHEET

**100%**  
**RECYCLABLE**

[WWW.KINZI.COM](http://WWW.KINZI.COM)