

PRODUCT DATA SHEET



PRODUCT - DATA

S212L-E1

Seine block - heavy type (eye top)

S212L-E1

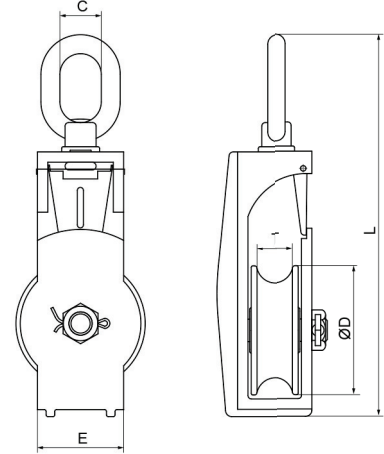
Technical Data

Casting material : AISI304 - DIN 1.4308
 Production : S212L-E1
 Swivel eye - Cast
 Sheave - Cast
 Block - Cast
 Surface treatment : "E.P." (Electro polished)

Note : Standard safety factor for working load is 1/4 of breaking load.



S212L-E1
Seine block - heavy type (eye top)



S212L-E1		SIZE	C	C	ØD	ØD	E	E	L	L	T	T	Unit weight	Unit weight	B.L.	B.L.
SS304			(mm)	(inch)	(mm)	(inch)	(mm)	(inch)	(mm)	(inch)	(mm)	(inch)	(kgs)	(lb)	(kgs)	(lb)
4212-2175	75	24	0.94	75	2.95	50	1.96	224	8.81	21.5	0.84	3.04	6.69	3,500	7,700	

CODE: S212L-E1

KINZI DATA SHEET

100%
RECYCLABLE

WWW.KINZI.COM