

# PRODUCT DATA SHEET



## PRODUCT - DATA

### S211-H2

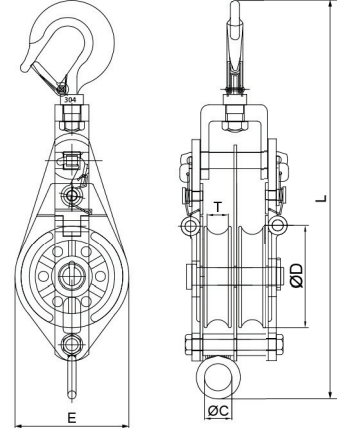
Double snatch block (hook top)

### S211-H2

#### Technical Data

Casting material : AISI 304 - DIN 1.4308  
 Forging material : AISI 304 - DIN 1.4301  
 Rod : AISI 304 - DIN 1.4301  
 Production : S211-H2  
 Hook - Cast  
 Sheave - Cast  
 Block - Forged  
 Eye end - Rod  
 Surface treatment : "E.P." (Electro polished)

Note : Standard safety factor for working load is 1/4 of breaking load.



**M** Metric **S211-H2**  
Double snatch block (hook top)

S211-H2 SS304	SIZE	ØC (mm)	ØC (inch)	ØD (mm)	ØD (inch)	E (mm)	E (inch)	L (mm)	L (inch)	T (mm)	T (inch)	Unit weight (kgs)	Unit weight (lb)	B.L (kgs)	B.L (lb)
4211-2275	75	20	0.79	75	2.95	83	3.27	305	12.01	15	0.59	2.20	4.84	2,300	5,060
4211-2210	100	35	1.38	100	3.93	113	4.45	345	13.58	18	0.70	3.73	8.21	2,300	5,060
4211-2212	125	35	1.38	125	4.92	140	5.51	390	15.35	20	0.79	4.76	10.47	3,950	8,690

CODE: S211-H2

KINZI DATA SHEET

**100%**  
**RECYCLABLE**

[WWW.KINZI.COM](http://WWW.KINZI.COM)