

PRODUCT DATA SHEET



PRODUCT - DATA

S211-E1
Single snatch block (eye top)

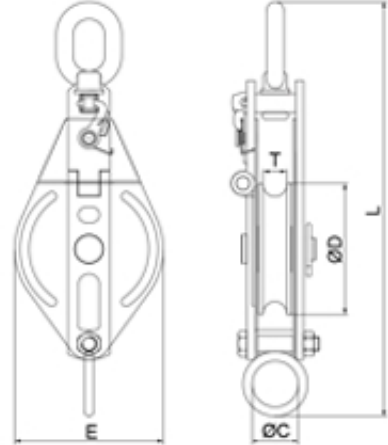
S211-E1

Technical Data

Casting material : AISI 304 - DIN 1.4308
 Forging material : AISI 304 - DIN 1.4301
 Rod : AISI 304 - DIN 1.4301
 Production : S211- E1
 Swivel eye - Cast
 Sheave - Cast
 Block - Forged
 Eye end - Rod
 Surface treatment : "E.P." (Electro polished)



M S211-E1
Metric Single snatch block (eye top)



Note : Standard safety factor for working load is 1/4 of breaking load.

S211-E1 SS304	SIZE	ØC (mm)	ØC (inch)	ØD (mm)	ØD (inch)	E (mm)	E (inch)	L (mm)	L (inch)	T (mm)	T (inch)	Unit weight (kgs)	Unit weight (lb)	B.L. (kgs)	B.L. (lb)
4211-1175	75	20	0.79	75	2.95	83	3.27	250	9.84	15	0.59	1.13	2.49	3,500	7,700
4211-1110	100	35	1.38	100	3.93	113	4.45	315	12.40	18	0.71	1.98	4.36	5,000	11,000
4211-1125	125	35	1.38	125	4.92	140	5.51	355	13.98	20	0.79	2.71	5.96	7,700	16,940

CODE: S211-E1

KINZI DATA SHEET

100%
RECYCLABLE

WWW.KINZI.COM