

# PRODUCT DATA SHEET



## PRODUCT - DATA

### S210-H1 Single heavy block (hook top)

### S210-H1

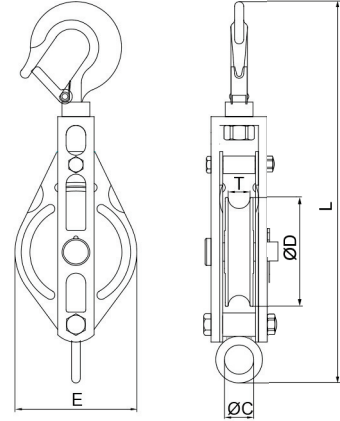
#### Technical Data

Casting material : AISI304 - DIN 1.4308  
 Forging material : AISI304 - DIN 1.4301  
 Rod : AISI 304 - DIN 1.4301  
 Production : S210-H1  
 Hook - Cast  
 Sheave - Cast  
 Block - Cast  
 Eye end - Rod  
 Surface treatment : "E.P." (Electro polished)

Note : Standard safety factor for working load is 1/4 of breaking load.



**Metric** S210-H1  
Single heavy block (hook top)



S210-H1 SS304	SIZE	ØC (mm)	ØC (inch)	ØD (mm)	ØD (inch)	E (mm)	E (inch)	L (mm)	L (inch)	T (mm)	T (inch)	Unit weight (kgs)	Unit weight (lb)	B.L. (kgs)	B.L. (lb)
4210-2175	75	20	0.79	75	2.95	83	3.27	275	10.83	15	0.59	1.16	2.55	2,300	5,060
4210-2110	100	35	1.38	100	3.93	113	4.45	340	13.39	18	0.70	1.94	4.27	2,300	5,060
4210-2112	125	35	1.38	125	4.92	139	5.47	385	15.16	20	0.79	2.71	5.96	3,950	8,690

CODE: S210-H1

KINZI DATA SHEET

**100%**  
**RECYCLABLE**

WWW.KINZI.COM