

# PRODUCT DATA SHEET



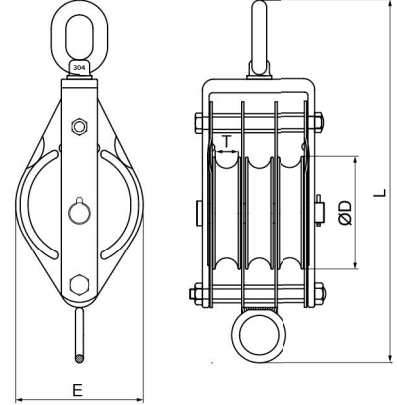
## PRODUCT - DATA

### S210-E3 Triple heavy block (eye top)

### S210-E3

#### Technical Data

Casting material : AISI304 - DIN 1.4308  
 Welding material : AISI304 - DIN 1.4301  
 Production : S210-E3  
 Swivel eye - Cast  
 Sheave - Cast  
 Block (sheet) - Stamped  
 Block (frame) - Cast  
 Eye end (Rod) - Cast  
 Surface treatment : "E.P." (Electro polished)



**M** S210-E3  
 Metric Triple heavy block  
 (eye top)

Note : Standard safety factor for working load is 1/4 of breaking load.

S210-E3 SS304	SIZE	ØD (mm)	ØD (inch)	E (mm)	E (inch)	L (mm)	L (inch)	T (mm)	T (inch)	Unit weight (kgs)	Unit weight (lb)	B.L. (kgs)	B.L. (lb)
4210-1310	100	100	3.93	113	4.45	325	12.8	18	0.70	3.88	8.54	5,500	12,100

CODE: S210-E3

KINZI DATA SHEET

**100%**  
**RECYCLABLE**

[WWW.KINZI.COM](http://WWW.KINZI.COM)