

PRODUCT DATA SHEET



PRODUCT - DATA

S210-E2 Double heavy block (eye top)

S210-E2

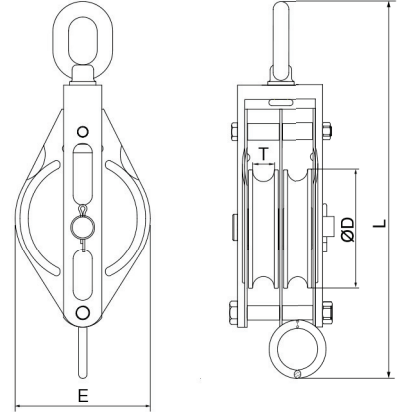
Technical Data

Casting material : AISI304 - DIN 1.4308
 Welding material : AISI304 - DIN 1.4301
 Production : S210-E2
 Swivel eye - Cast
 Sheave - Cast
 Block (sheet) - Stamped
 Block (frame) - Cast
 Eye end (Rod) - Cast
 Surface treatment : "E.P." (Electro polished)

Note : Standard safety factor for working load is 1/4 of breaking load.



M Metric **S210-E2**
Double heavy block
(eye top)



S210-E2 SS304	SIZE	ØD (mm)	ØD (inch)	E (mm)	E (inch)	L (mm)	L (inch)	T (mm)	T (inch)	Unit weight (kgs)	Unit weight (lb)	B.L. (kgs)	B.L. (lb)
4210-1275	75	75	2.95	83	3.27	260	10.24	15	0.59	1.57	3.45	3,500	7,700
4210-1210	100	100	3.93	113	4.45	325	12.80	18	0.70	2.82	6.20	5,500	12,100
4210-1212	125	125	4.92	140	5.51	358	14.09	20	0.78	3.63	7.99	8,500	18,700

CODE: S210-E2

KINZI DATA SHEET

100%
RECYCLABLE

WWW.KINZI.COM