

PRODUCT DATA SHEET



PRODUCT - DATA

S210-E1
Single heavy block (eye top)

S210-E1

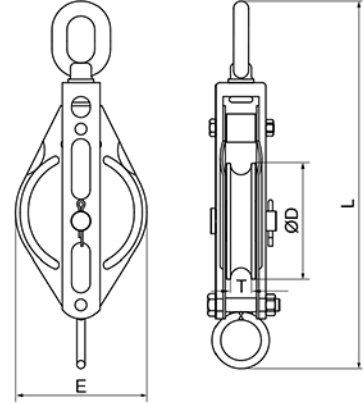
Technical Data

Casting material : AISI304 - DIN 1.4308
Welding material : AISI304 - DIN 1.4301
Production : S210-E1
Swivel eye - Cast
Sheave - Cast
Block (sheet) - Stamped
Block (frame) - Cast
Eye end (Rod) - Cast
Surface treatment : "E.P." (Electro polished)

Note : Standard safety factor for working load is 1/4 of breaking load.



M S210-E1
Single heavy block
(eye top)



S210-E1 SS304	SIZE	ØD (mm)	ØD (inch)	E (mm)	E (inch)	L (mm)	L (inch)	T (mm)	T (inch)	Unit weight (kgs)	Unit weight (lb)	B.L. (kgs)	B.L. (lb)
4210-1175	75	75	2.95	83	3.27	255	10.04	16	0.63	1.04	2.29	3,500	7,700
4210-1110	100	100	3.93	113	4.45	325	12.80	19	0.75	1.87	4.11	5,500	12,100
4210-1125	125	125	4.92	140	5.51	350	13.78	20	0.79	2.43	5.35	8,500	18,700

CODE: S210-E1

KINZI DATA SHEET

100%
RECYCLABLE

WWW.KINZI.COM