


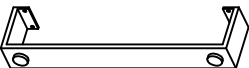
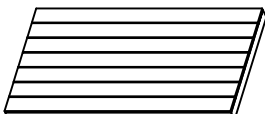
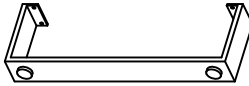
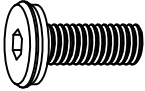
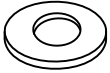

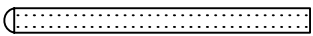


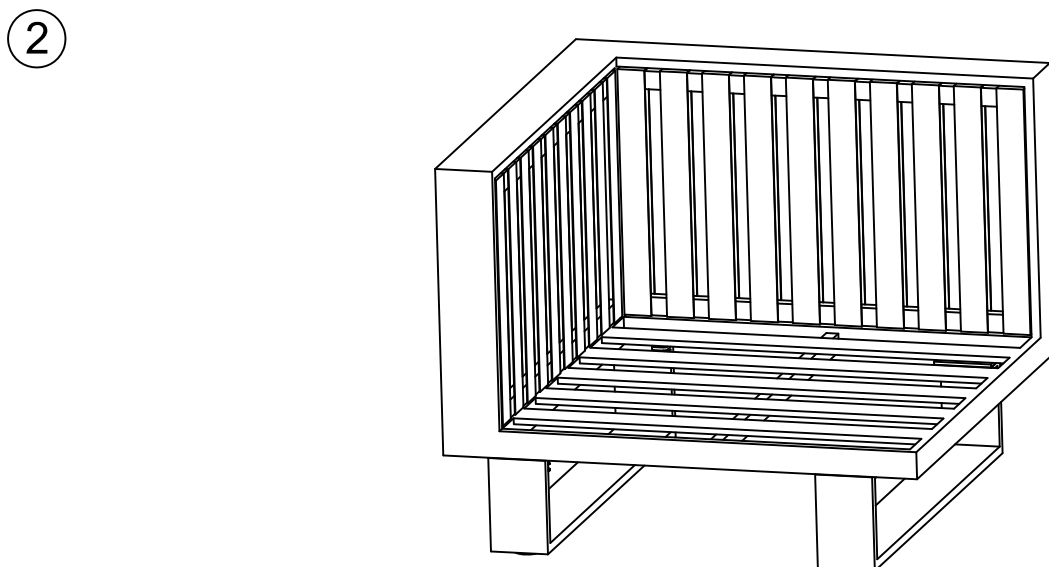
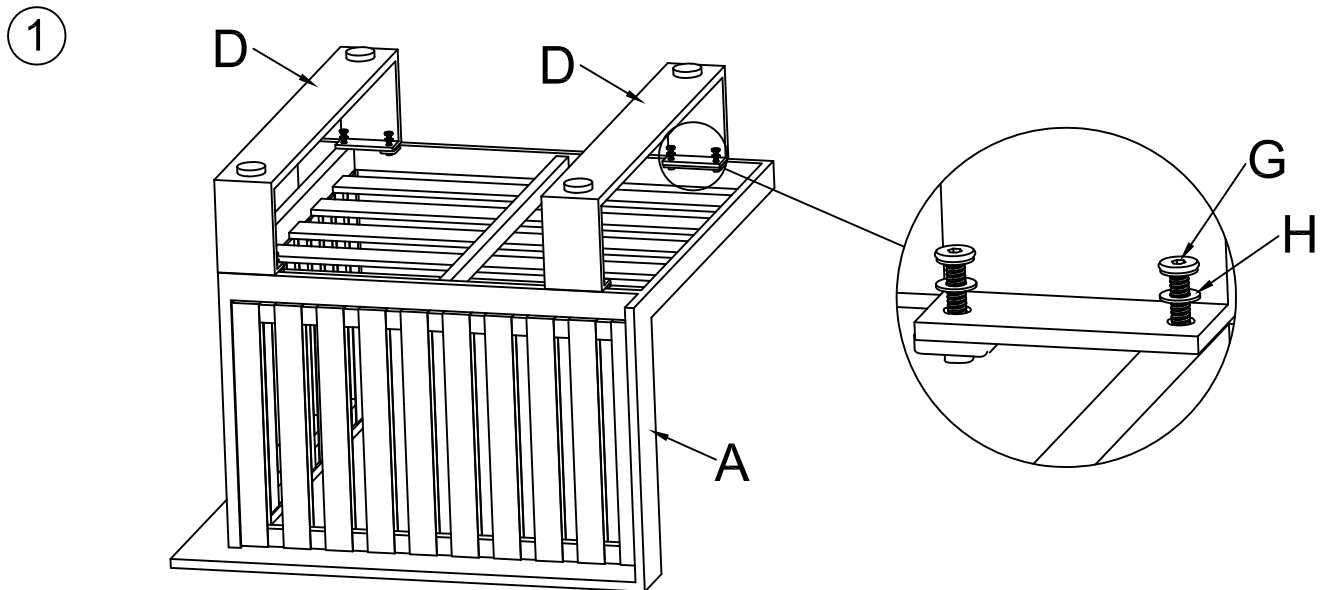
ASSEMBLING INSTRUCTION

LOUNGE CORNER SET 4-PCS (21860NF/21861NF)

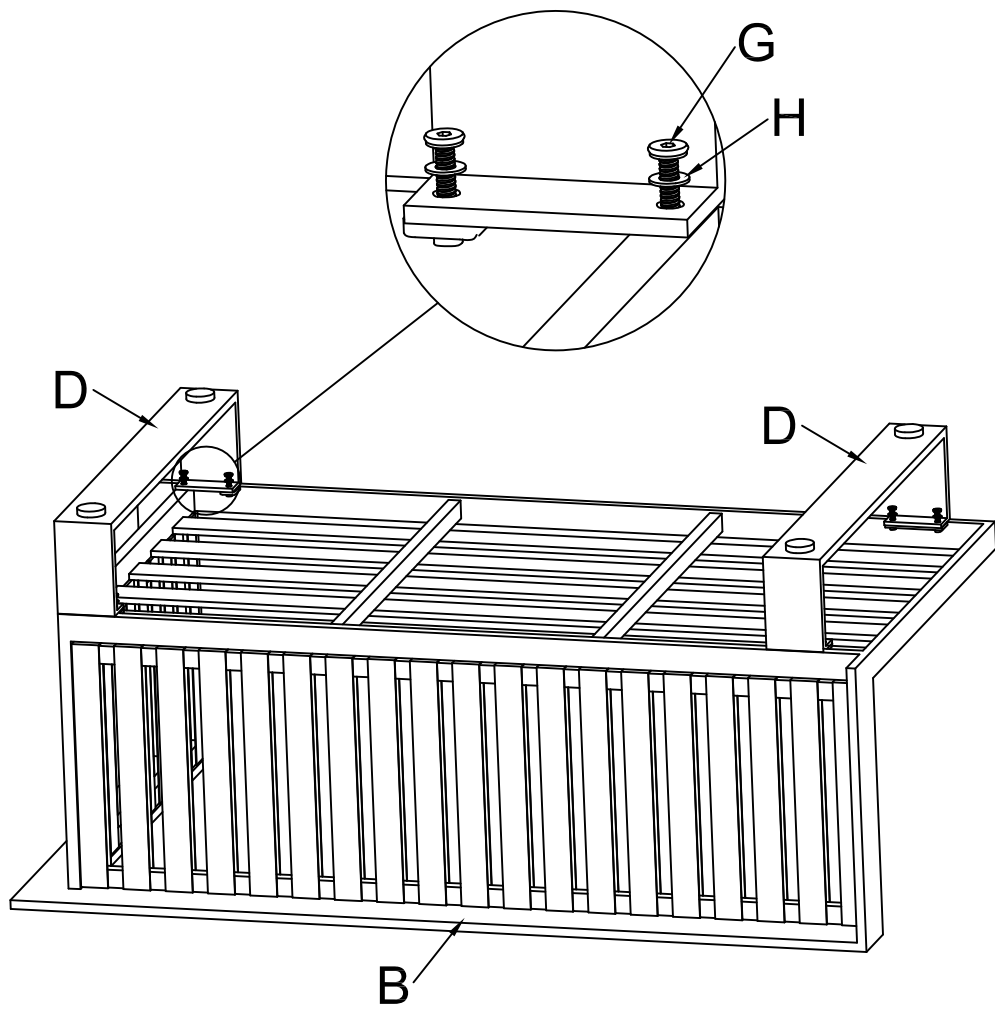
A		1pc
B		1pc
C		1pc
D		6pcs
E		1pc

F		2pcs
G	 M6*18	32pcs
H	 M6	32pcs
I		1pc
J		4pcs

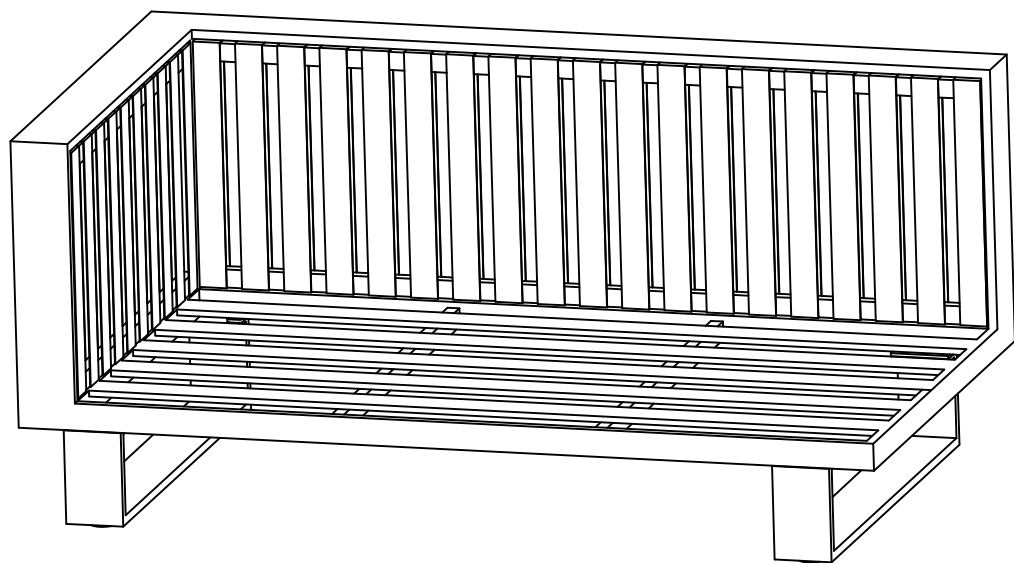
Note: first screw all bolts in by hand, before tightening.



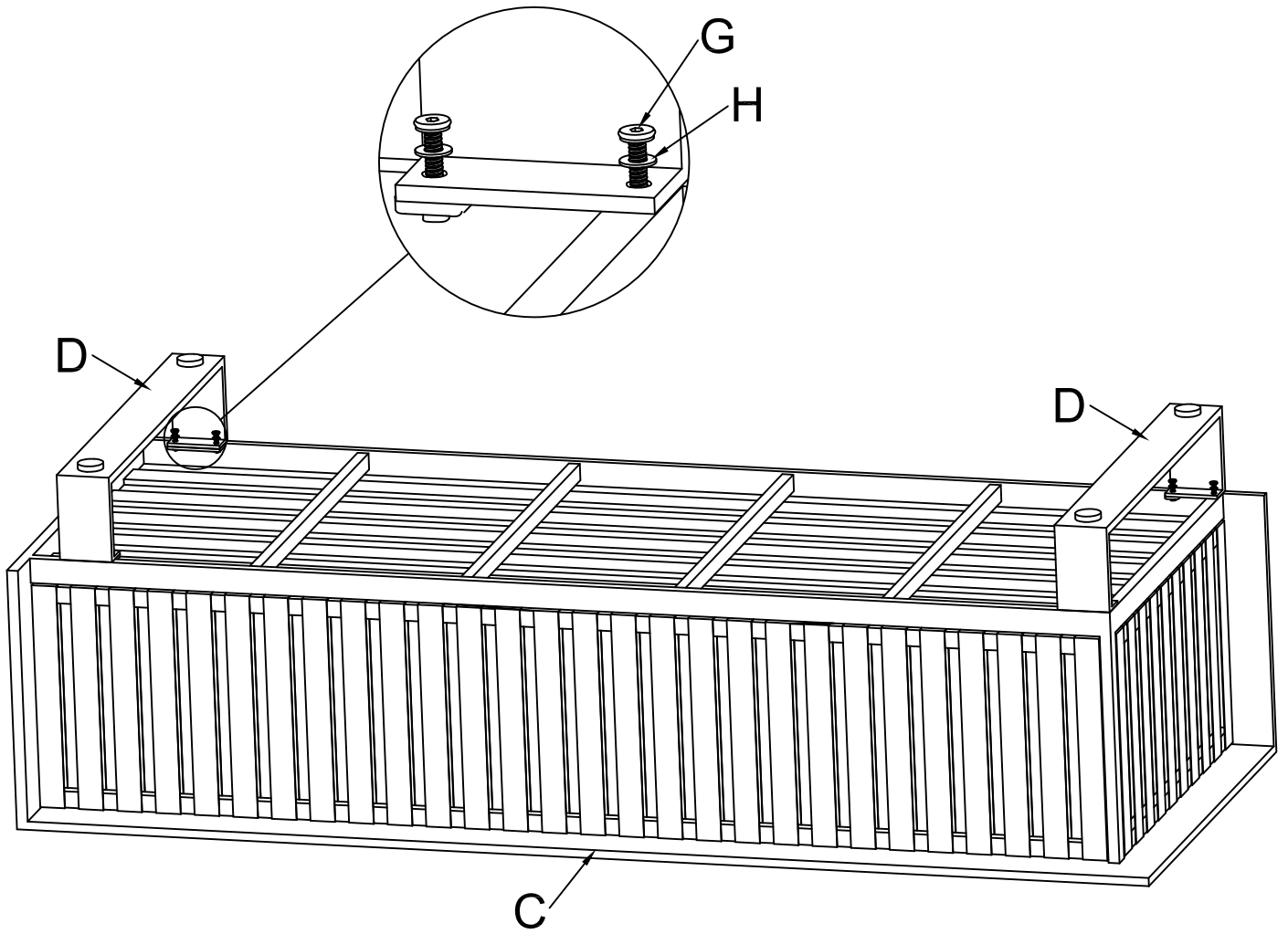
3



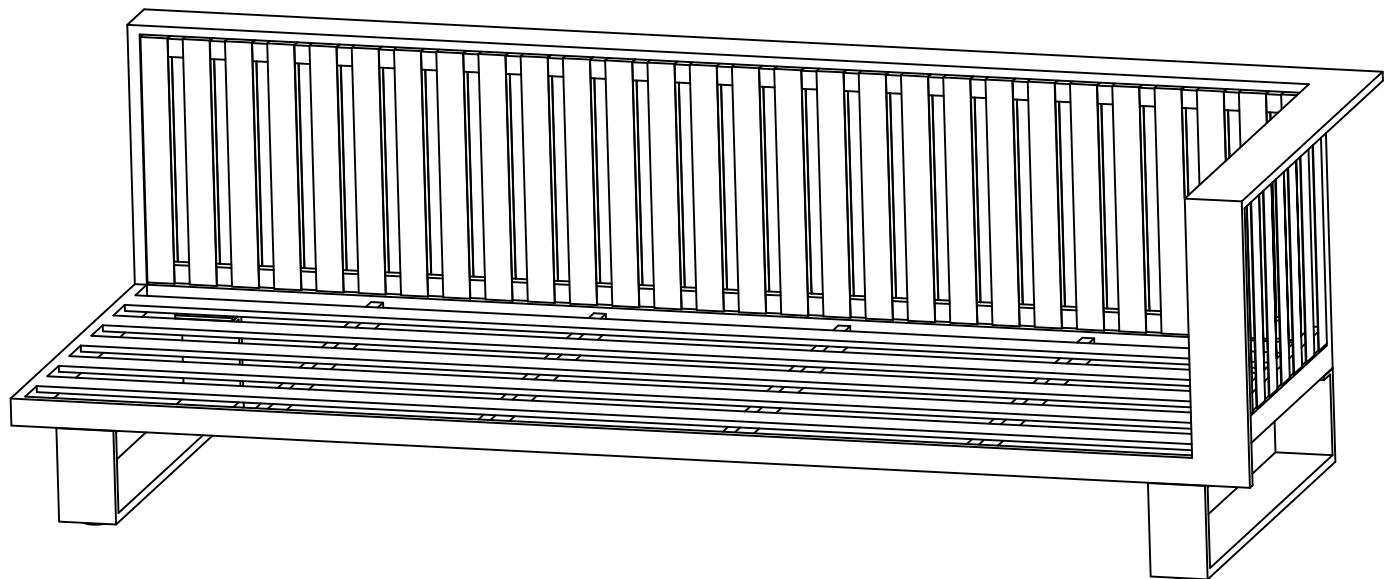
4



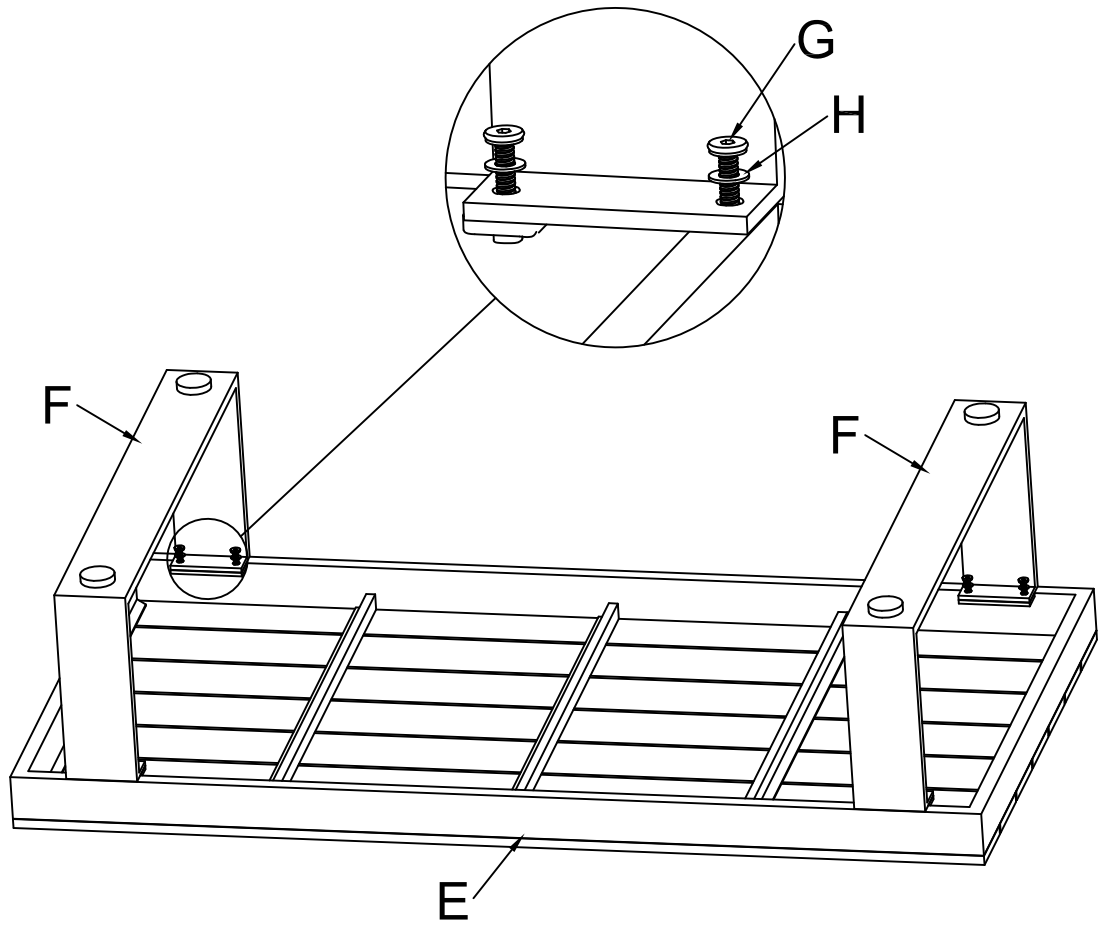
5



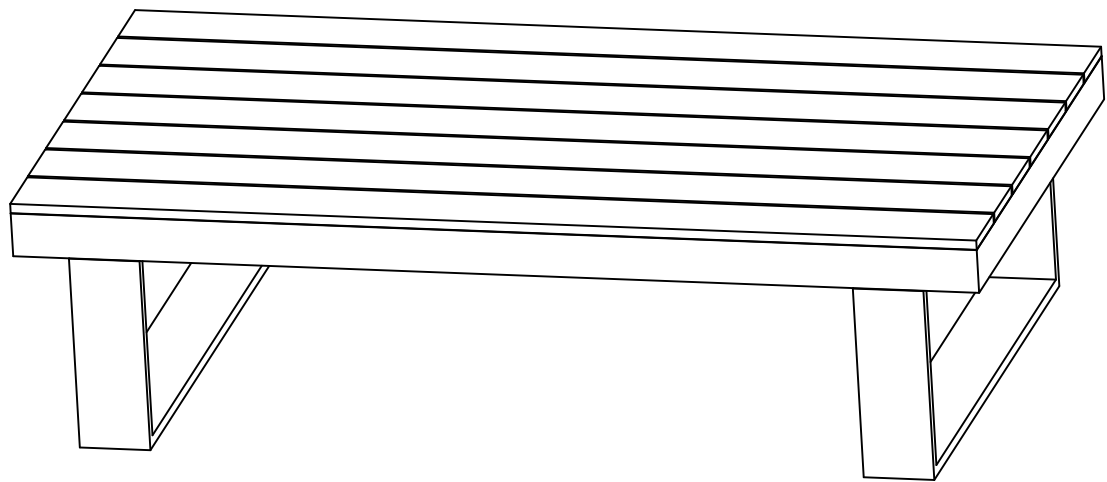
6



7



8



9

