
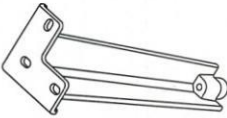


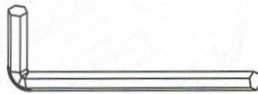


A		1
B		4
C	 Ø12*Ø6.2*1	12

D	 M6*25	12
E		1

