





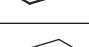
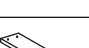
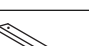






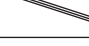









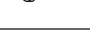



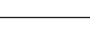




MALOUF® | WATSON BED FRAME ASSEMBLY (FULL)

| | | | |
|----------|-------------------------------------------------------------------------------------|------------------------------------|-------|
| A |  | Foot Drawer Front Panels (Short) | 2 pcs |
| B |  | Foot Drawer Back Panels (Short) | 2 pcs |
| C |  | Side Drawer Front Panels (Long) | 2 pcs |
| D |  | Side Drawer Back Panels (Long) | 2 pcs |
| E |  | Drawer Side Panels (Left) | 4 pcs |
| F |  | Drawer Side Panels (Right) | 4 pcs |
| G |  | Foot Drawer Bottom Panels (Short) | 2 pcs |
| H |  | Side Drawer Bottom Panels (Long) | 2 pcs |
| I |  | Under Drawer Edge Support Braces | 8 pcs |
| J |  | Under Drawer Middle Support Braces | 4 pcs |
| K |  | Head Rail | 1 pc |
| L |  | Foot Rail | 1 pc |
| M |  | Corner Legs | 4 pcs |
| N |  | Foot Rail Center Leg | 1 pc |
| O |  | Side Rails | 2 pcs |
| P |  | Side Rail Support Legs | 4 pcs |
| Q |  | Center Rail | 1 pc |
| R |  | Support Legs | 2 pcs |
| S |  | Slat Roll | 1 pc |

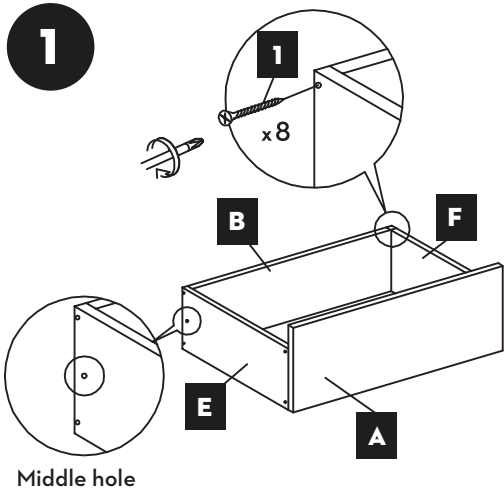
HARDWARE

| | | | |
|-----------|---------------------------------------------------------------------------------------|------------------------|--------|
| 1 |  | 50mm Screws | 32 pcs |
| 2 |  | 32mm Screws | 73 pcs |
| 3 |  | 16mm Screws | 64 pcs |
| 4 |  | Drawer Wheels | 16 pcs |
| 5 |  | Long Bolts (M6x50mm) | 5 pcs |
| 6 |  | 100mm Allen Key | 1 pc |
| 7 |  | Short Bolts (M8x20mm) | 8 pcs |
| 8 |  | 70mm Allen Key | 1 pc |
| 9 |  | 20mm Wooden Dowels | 8 pcs |
| 10 |  | 25mm Screws | 10 pcs |
| 11 |  | Drawer Stoppers | 8 pcs |
| 12 |  | Leg Adjusters | 2 pcs |
| 13 |  | Medium Bolts (M6x40mm) | 2 pcs |

TOOLS NEEDED: Phillips Screwdriver

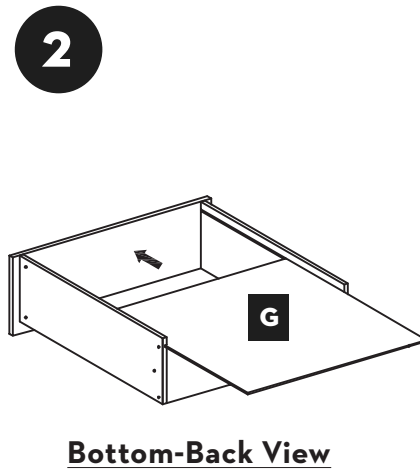


MALOUF® | WATSON BED FRAME ASSEMBLY (FULL)

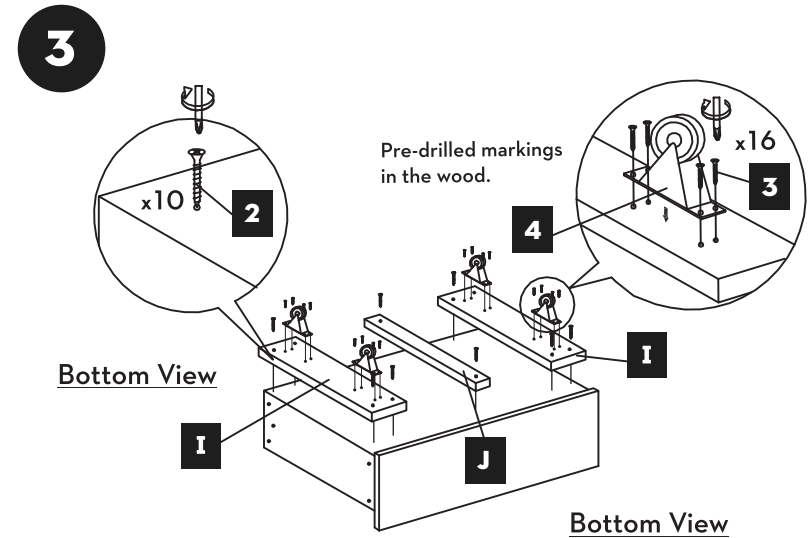


To assemble the foot drawers, attach the side panels (E, F) to the front and back panels (A, B) with 50mm screws (1) and a screwdriver.

ATTENTION: Before attaching the side panels, make sure the middle hole is placed on the back of the side panels, and the grooved slot is on the bottom and facing inward.



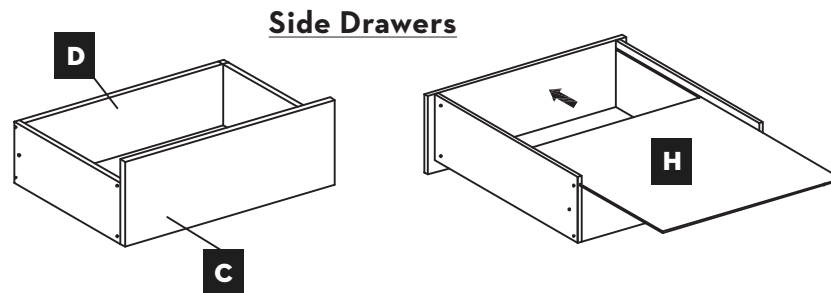
Flip the drawer upside down and slide the bottom panel (G) into the slots on the side panels (E, F).



Using a screwdriver, attach the edge and middle support braces (I, J) to the bottom of the drawer with 32mm screws (2). Then attach the drawer wheels (4) with 16mm screws (3) and a screwdriver.

ATTENTION: Pre-drilled holes should be exposed before tightening 32mm screws (2).

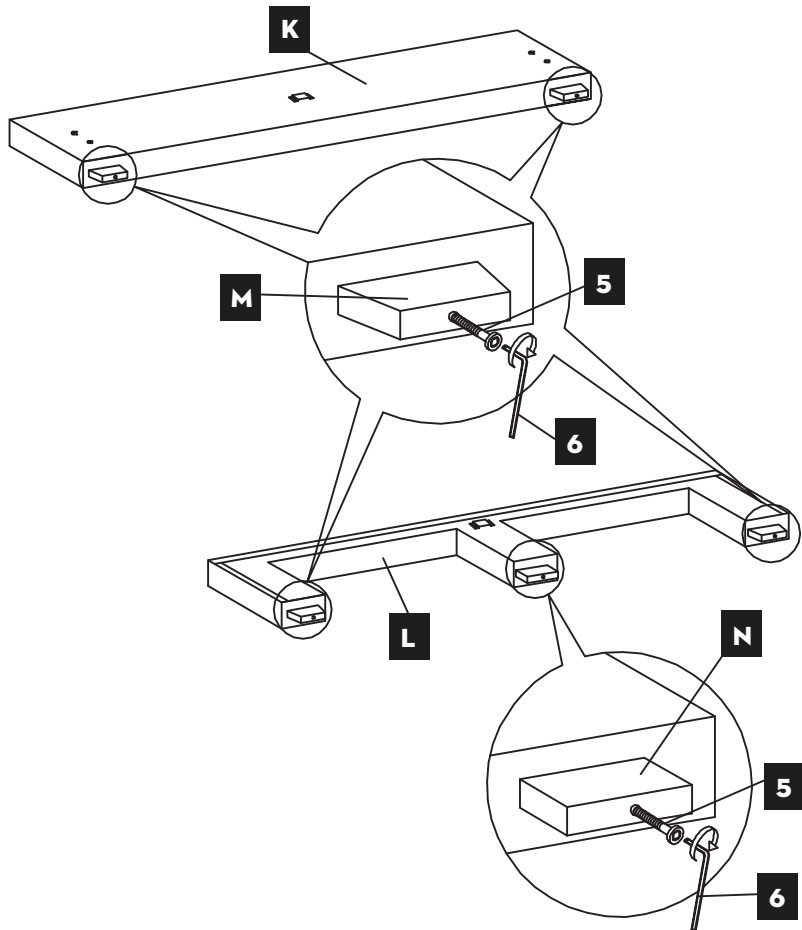
4 Repeat steps 1-3 to assemble all remaining drawers. To build the side drawers, replace front, back, and bottom panels (A, B, G) with the side drawer front, back, and bottom panels (C, D, H).



MALOUF® | WATSON BED FRAME ASSEMBLY (FULL)

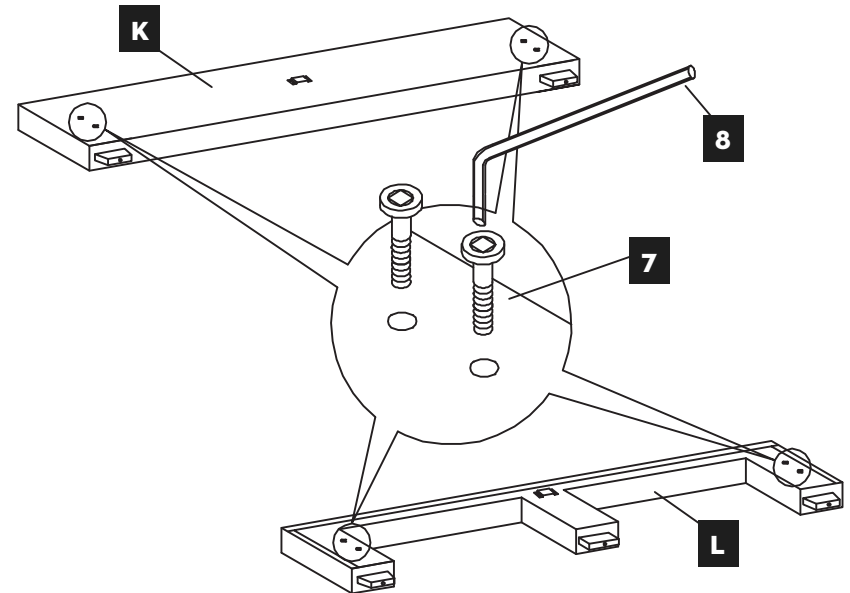
5

Attach all four corner legs (M) to the head rail (K) and foot rail (L) with long bolts (5) and the 100mm Allen key (6). With the remaining long bolt (5), attach the foot rail center leg (N) to the middle of the foot rail (L).



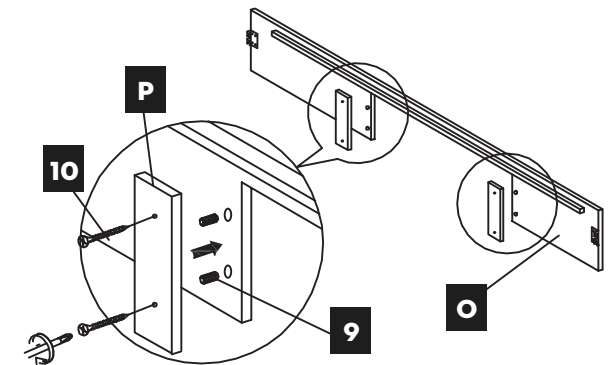
6

Place short bolts (7) in the holes on each side of the head rail (K) and foot rail (L). Then loosely tighten each bolt with the 70mm Allen key (8) until the bolts are partly visible.



7

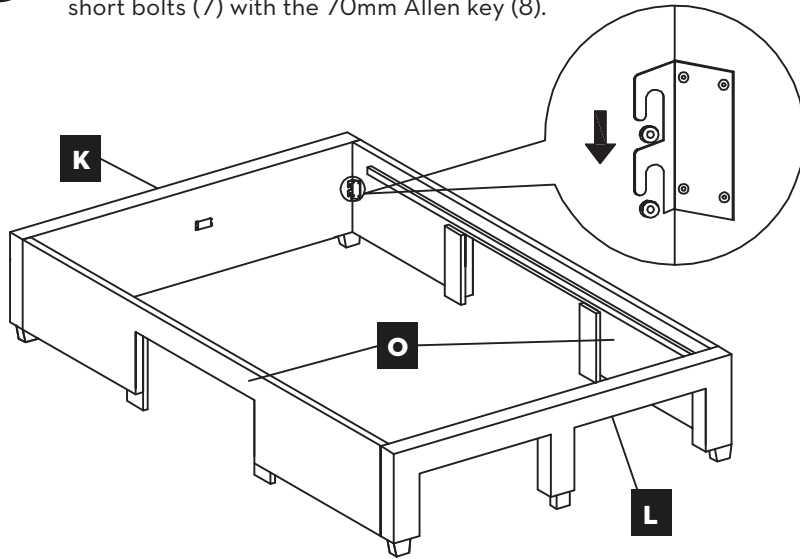
Insert wooden dowels (9) into the holes on the side rails (O). Attach the side rail support legs (P) by pushing them onto the wooden dowels (9). Then secure them to the side rails (O) with 25 mm screws (10) and a screwdriver.



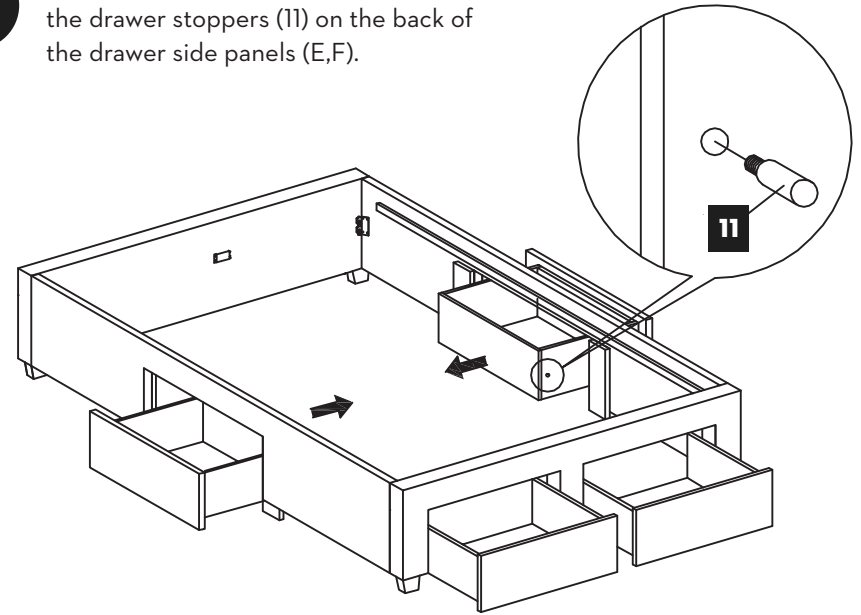
ATTENTION: Pre-drilled holes are on the back of the side rail support legs (P).

MALOUF® | WATSON BED FRAME ASSEMBLY (FULL)

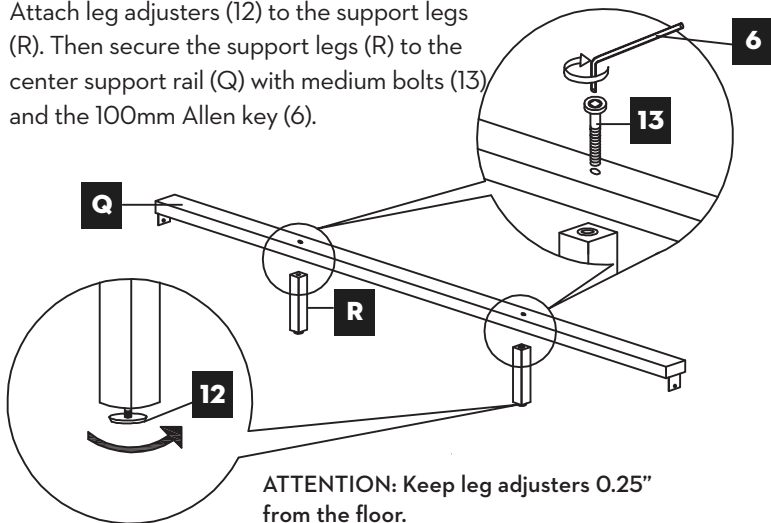
- 8** Attach the side rails (O) to the head rail (K) and foot rail (L). Then finish tightening the short bolts (7) with the 70mm Allen key (8).



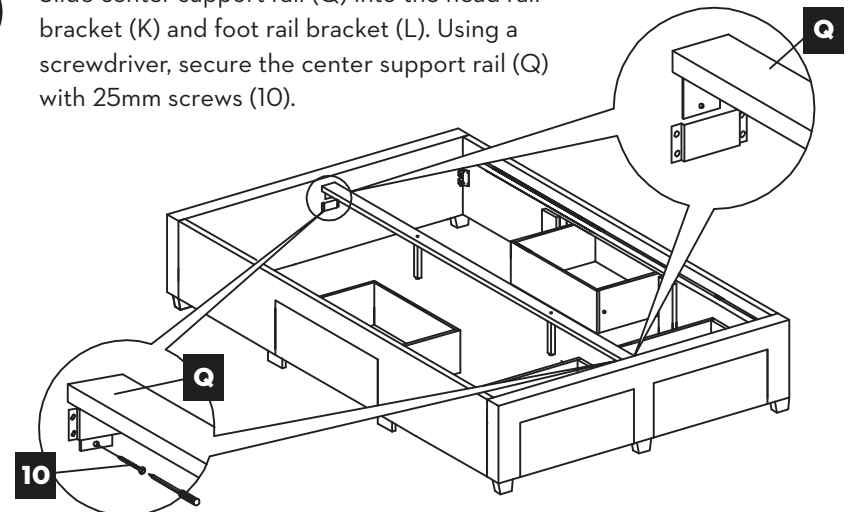
- 9** Slide all drawers into place then install the drawer stoppers (11) on the back of the drawer side panels (E,F).



- 10** Attach leg adjusters (12) to the support legs (R). Then secure the support legs (R) to the center support rail (Q) with medium bolts (13) and the 100mm Allen key (6).



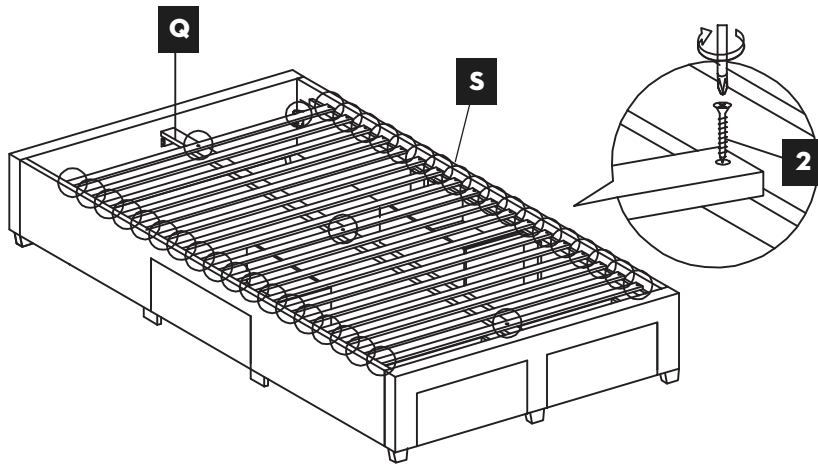
- 11** Slide center support rail (Q) into the head rail bracket (K) and foot rail bracket (L). Using a screwdriver, secure the center support rail (Q) with 25mm screws (10).





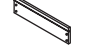



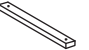

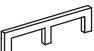






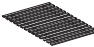
MALOUF® | WATSON BED FRAME ASSEMBLY (FULL)

12











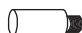


Using a screwdriver, secure the slat roll (S) to the side rails (O) and center support rail (Q) with 32mm screws (2).



MALOUF® | WATSON BED FRAME ASSEMBLY (QUEEN)

| | | | |
|----------|-------------------------------------------------------------------------------------|------------------------------------|-------|
| A |  | Drawer Front Panels | 4 pcs |
| B |  | Drawer Back Panels | 4 pcs |
| C |  | Drawer Side Panels (Left) | 4 pcs |
| D |  | Drawer Side Panels (Right) | 4 pcs |
| E |  | Drawer Bottom Panels | 4 pcs |
| F |  | Under Drawer Edge Support Braces | 8 pcs |
| G |  | Under Drawer Middle Support Braces | 4 pcs |
| H |  | Head Rail | 1 pc |
| I |  | Foot Rail | 1 pc |
| J |  | Corner Legs | 4 pcs |
| K |  | Foot Rail Center Leg | 1 pc |
| L |  | Side Rails | 2 pcs |
| M |  | Side Rail Support Legs | 4 pcs |
| N |  | Center Rail | 1 pc |
| O |  | Support Legs | 2 pcs |
| P |  | Slat Roll | 1 pc |

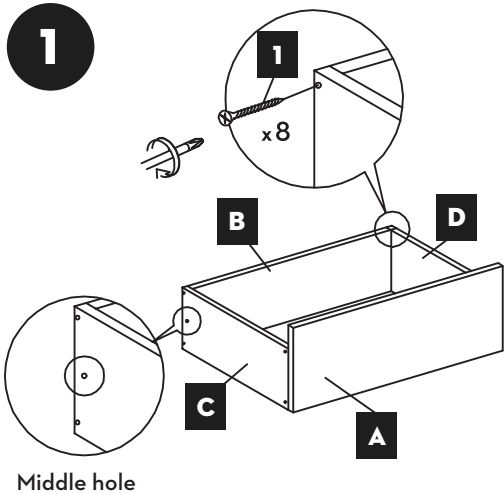
HARDWARE

| | | | |
|-----------|---------------------------------------------------------------------------------------|------------------------|--------|
| 1 |  | 50mm Screws | 32 pcs |
| 2 |  | 32mm Screws | 75 pcs |
| 3 |  | 16mm Screws | 64 pcs |
| 4 |  | Drawer Wheels | 16 pcs |
| 5 |  | Long Bolts (M6x50mm) | 5 pcs |
| 6 |  | 100mm Allen Key | 1 pc |
| 7 |  | Short Bolts (M8x20mm) | 8 pcs |
| 8 |  | 70mm Allen Key | 1 pc |
| 9 |  | 20mm Wooden Dowels | 8 pcs |
| 10 |  | 25mm Screws | 10 pcs |
| 11 |  | Drawer Stoppers | 8 pcs |
| 12 |  | Leg Adjusters | 2 pcs |
| 13 |  | Medium Bolts (M6x40mm) | 2 pcs |

TOOLS NEEDED: Phillips Screwdriver

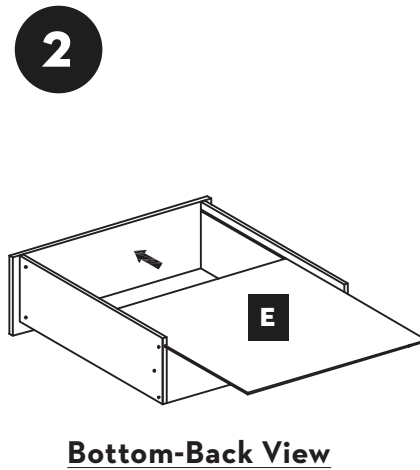


MALOUF® | WATSON BED FRAME ASSEMBLY (QUEEN)

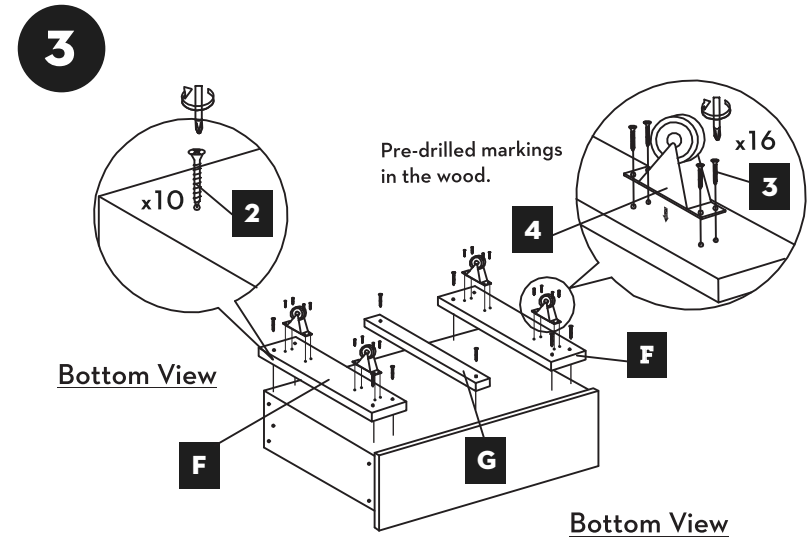


To assemble the drawers, attach the side panels (C,D) to the front and back panels (A,B) with 50mm screws (1) and a screwdriver.

ATTENTION: Before attaching the side panels, make sure the middle hole is placed on the back of the side panels, and the grooved slot is on the bottom and facing inward.



Flip the drawer upside down and slide the bottom panel (E) into the slots on the side panels (C,D).



Using a screwdriver, attach the edge and middle support braces (F,G) to the bottom of the drawer with 32mm screws (2). Then attach the drawer wheels (4) with 16mm screws (3) and a screwdriver.

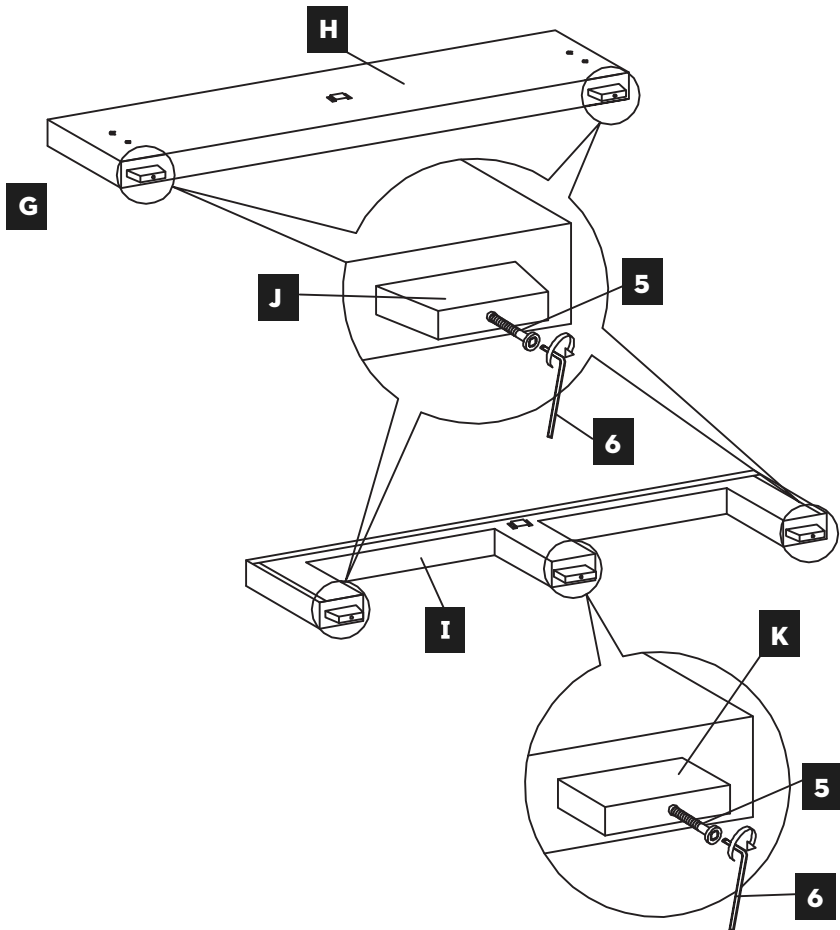
ATTENTION: Pre-drilled holes should be exposed before tightening 32mm screws (2).

4 Repeat steps 1-3 to assemble all remaining drawers.

MALOUF® | WATSON BED FRAME ASSEMBLY (QUEEN)

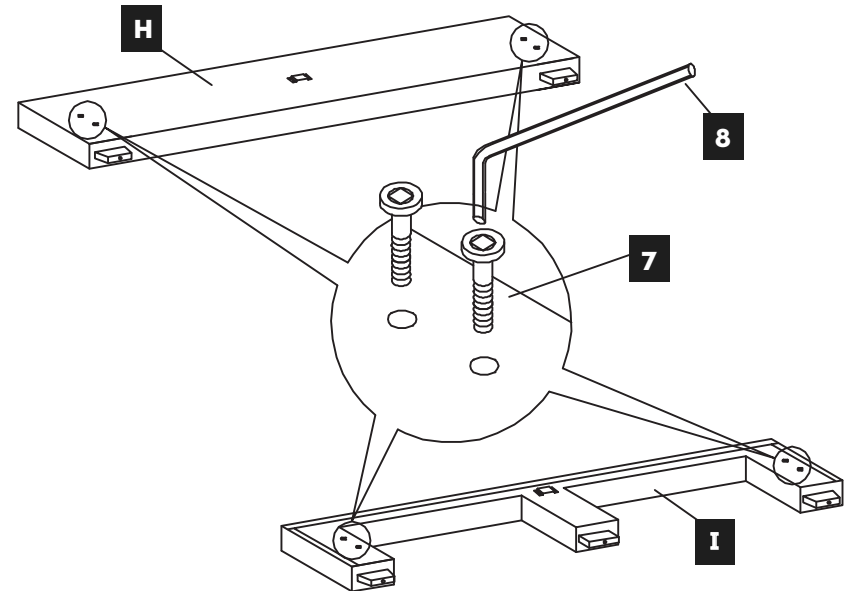
5

Attach all four corner legs (J) to the head rail (H) and foot rail (I) with long bolts (5) and the 100mm Allen key (6). With the remaining long bolt (5), attach the foot rail center leg (K) to the middle of the foot rail (I).



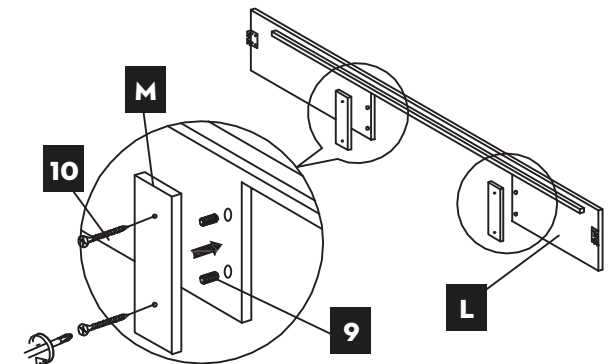
6

Place short bolts (7) in the holes on each side of the head rail (H) and foot rail (I). Then loosely tighten each bolt with the 70mm Allen key (8) until the bolts are partly visible.



7

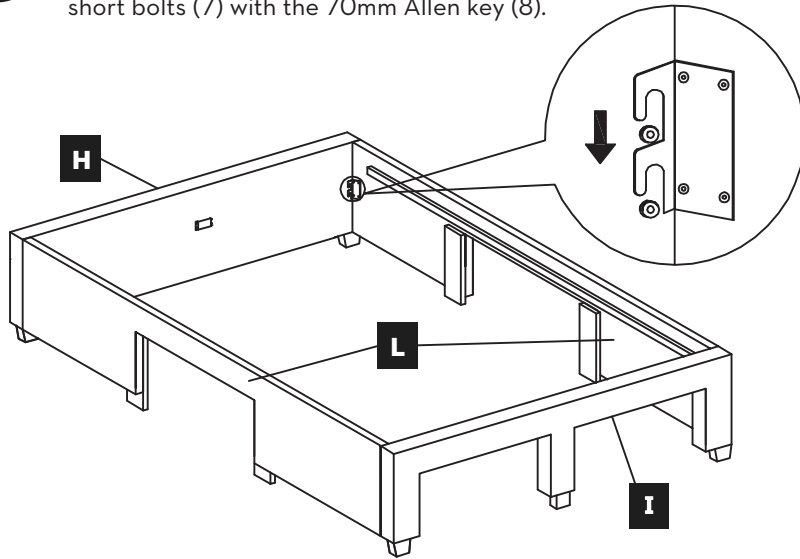
Insert wooden dowels (9) into the holes on the side rails (L). Attach the side rail support legs (M) by pushing them onto the wooden dowels (9). Then secure them to the side rails (L) with 25mm screws (10) and a screwdriver.



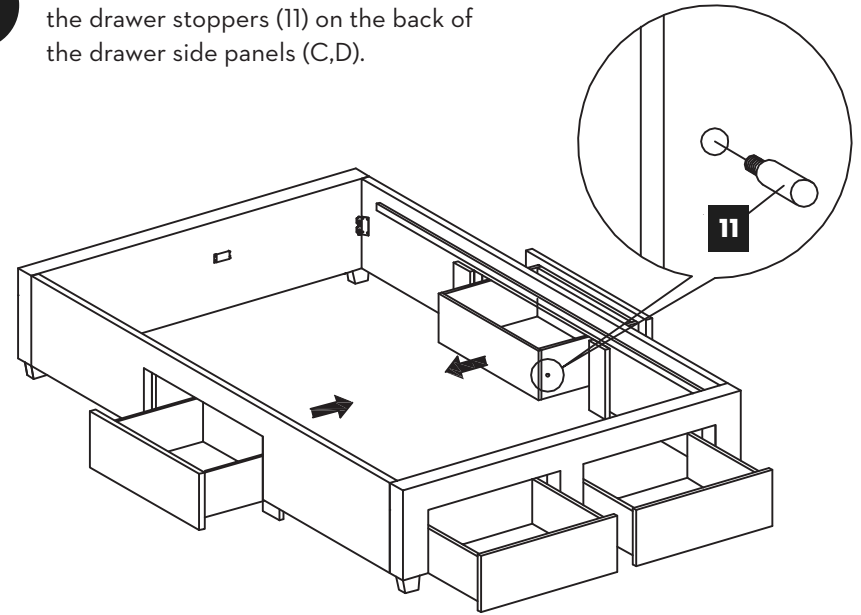
ATTENTION: Pre-drilled holes are on the back of the side rail support legs (M).

MALOUF® | WATSON BED FRAME ASSEMBLY (QUEEN)

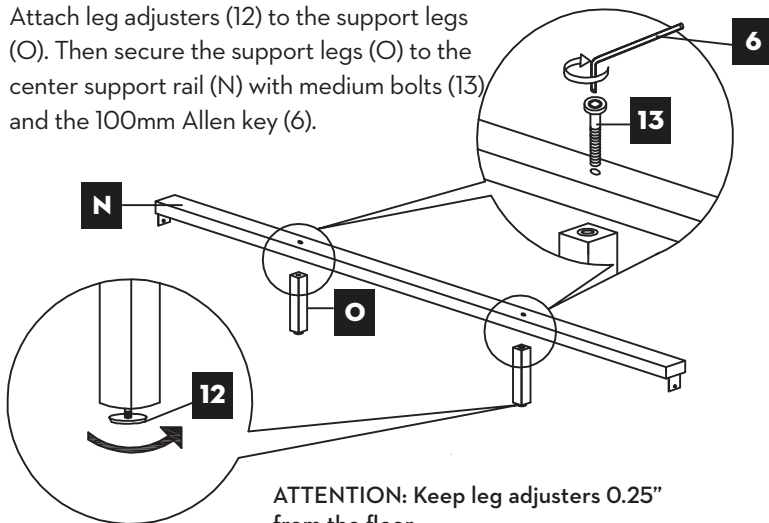
- 8** Attach the side rails (L) to the head rail (H) and foot rail (I). Then finish tightening the short bolts (7) with the 70mm Allen key (8).



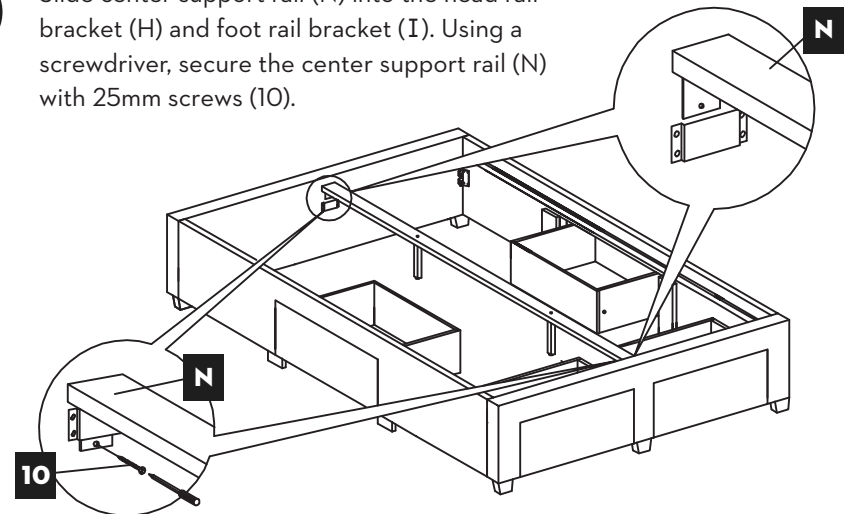
- 9** Slide all drawers into place then install the drawer stoppers (11) on the back of the drawer side panels (C,D).



- 10** Attach leg adjusters (12) to the support legs (O). Then secure the support legs (O) to the center support rail (N) with medium bolts (13) and the 100mm Allen key (6).



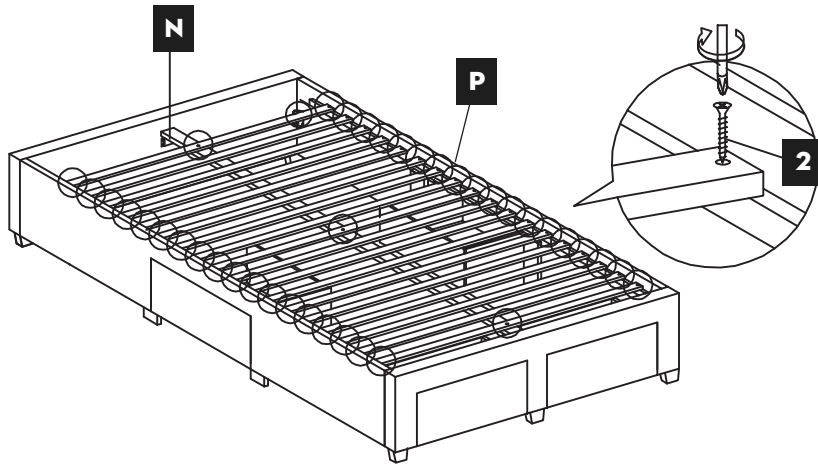
- 11** Slide center support rail (N) into the head rail bracket (H) and foot rail bracket (I). Using a screwdriver, secure the center support rail (N) with 25mm screws (10).







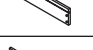

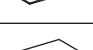
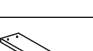
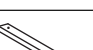










MALOUF® | WATSON BED FRAME ASSEMBLY (QUEEN)

12





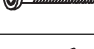
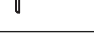
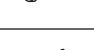

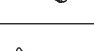
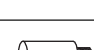



Using a screwdriver, secure the slat roll (P) to the side rails (L) and center support rail (N) with 32mm screws (2).



MALOUF® | WATSON BED FRAME ASSEMBLY (CAL KING, KING)

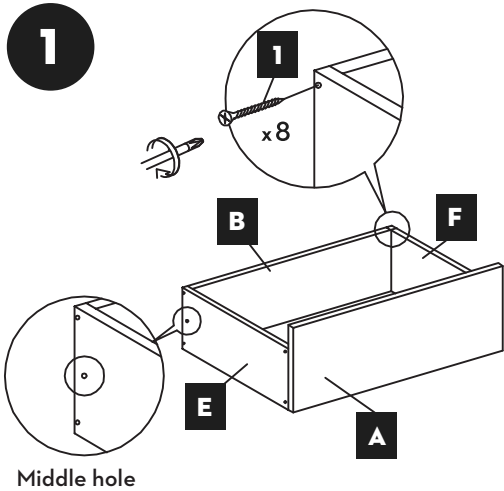
| | | | |
|----------|-------------------------------------------------------------------------------------|------------------------------------|-------|
| A |  | Foot Drawer Front Panels (Long) | 2 pcs |
| B |  | Foot Drawer Back Panels (Long) | 2 pcs |
| C |  | Side Drawer Front Panels (Short) | 2 pcs |
| D |  | Side Drawer Back Panels (Short) | 2 pcs |
| E |  | Drawer Side Panels (Left) | 4 pcs |
| F |  | Drawer Side Panels (Right) | 4 pcs |
| G |  | Foot Drawer Bottom Panels (Long) | 2 pcs |
| H |  | Side Drawer Bottom Panels (Short) | 2 pcs |
| I |  | Under Drawer Edge Support Braces | 8 pcs |
| J |  | Under Drawer Middle Support Braces | 4 pcs |
| K |  | Head Rail | 1 pc |
| L |  | Foot Rail | 1 pc |
| M |  | Corner Legs | 4 pcs |
| N |  | Foot Rail Center Leg | 1 pc |
| O |  | Side Rails | 2 pcs |
| P |  | Side Rail Support Legs | 4 pcs |
| Q |  | Center Rails | 2 pcs |
| R |  | Support Legs | 4 pcs |
| S |  | Slat Roll | 1 pc |

HARDWARE

| | | | |
|-----------|---------------------------------------------------------------------------------------|------------------------|--------|
| 1 |  | 50mm Screws | 32 pcs |
| 2 |  | 32mm Screws | 78 pcs |
| 3 |  | 16mm Screws | 64 pcs |
| 4 |  | Drawer Wheels | 16 pcs |
| 5 |  | Long Bolts (M6x50mm) | 5 pcs |
| 6 |  | 100mm Allen Key | 1 pc |
| 7 |  | Short Bolts (M8x20mm) | 8 pcs |
| 8 |  | 70mm Allen Key | 1 pc |
| 9 |  | 20mm Wooden Dowels | 8 pcs |
| 10 |  | 25mm Screws | 12 pcs |
| 11 |  | Drawer Stoppers | 8 pcs |
| 12 |  | Leg Adjusters | 4 pcs |
| 13 |  | Medium Bolts (M6x40mm) | 4 pcs |

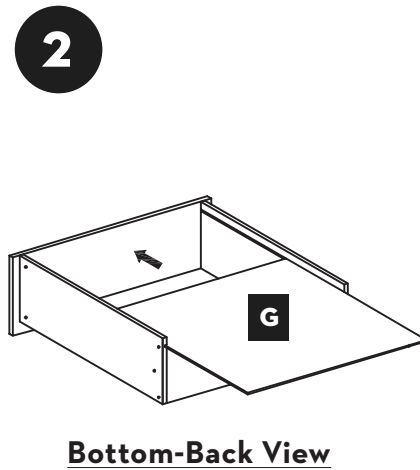
TOOLS NEEDED: Phillips Screwdriver 

MALOUF® | WATSON BED FRAME ASSEMBLY (CAL KING, KING)

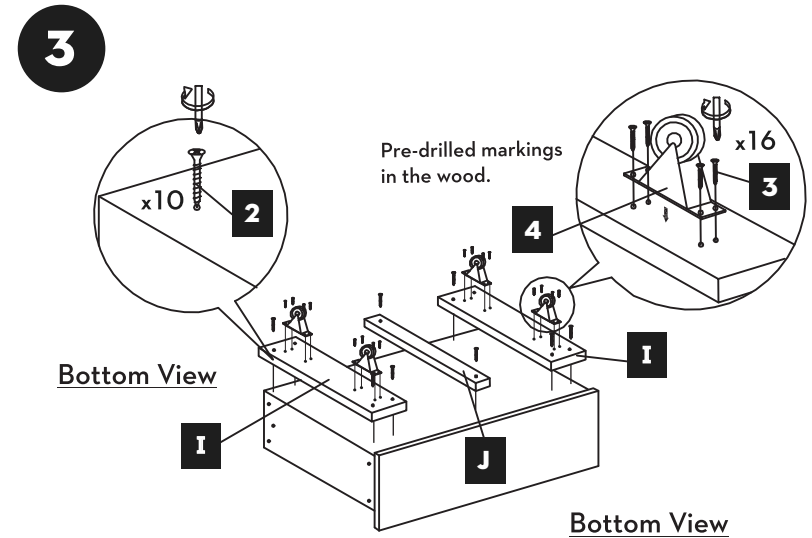


To assemble the foot drawers, attach the side panels (E, F) to the front and back panels (A, B) with 50mm screws (1) and a screwdriver.

ATTENTION: Before attaching the side panels, make sure the middle hole is placed on the back of the side panels, and the grooved slot is on the bottom and facing inward.



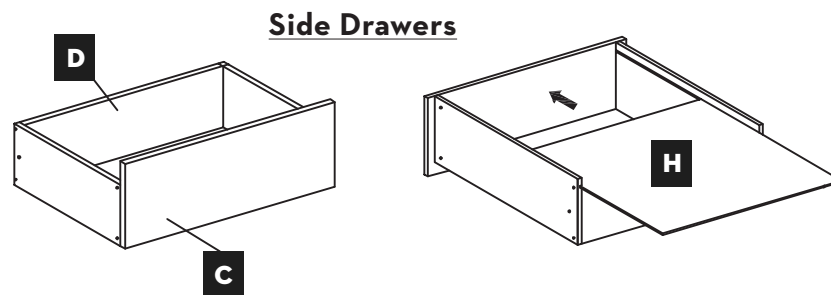
Flip the drawer upside down and slide the bottom panel (G) into the slots on the side panels (E, F).



Using a screwdriver, attach the edge and middle support braces (I, J) to the bottom of the drawer with 32mm screws (2). Then attach the drawer wheels (4) with 16mm screws (3) and a screwdriver.

ATTENTION: Pre-drilled holes should be exposed before tightening 32mm screws (2).

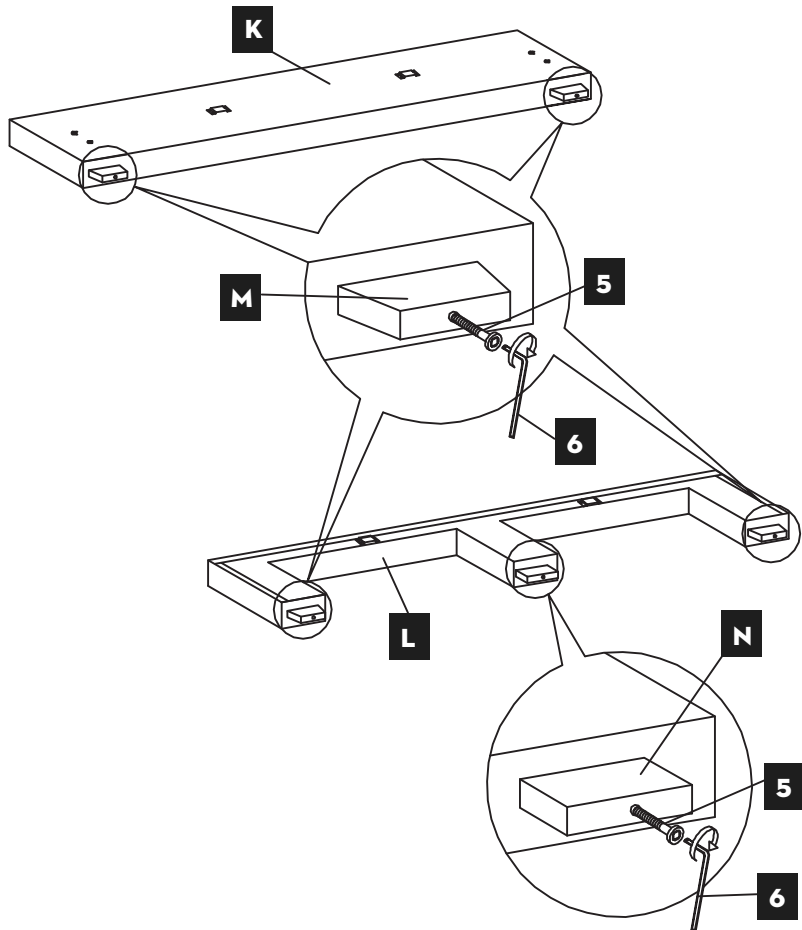
4 Repeat steps 1-3 to assemble all remaining drawers. To build the side drawers, replace front, back, and bottom panels (A, B, G) with the side drawer front, back, and bottom panels (C, D, H).



MALOUF® | WATSON BED FRAME ASSEMBLY (CAL KING, KING)

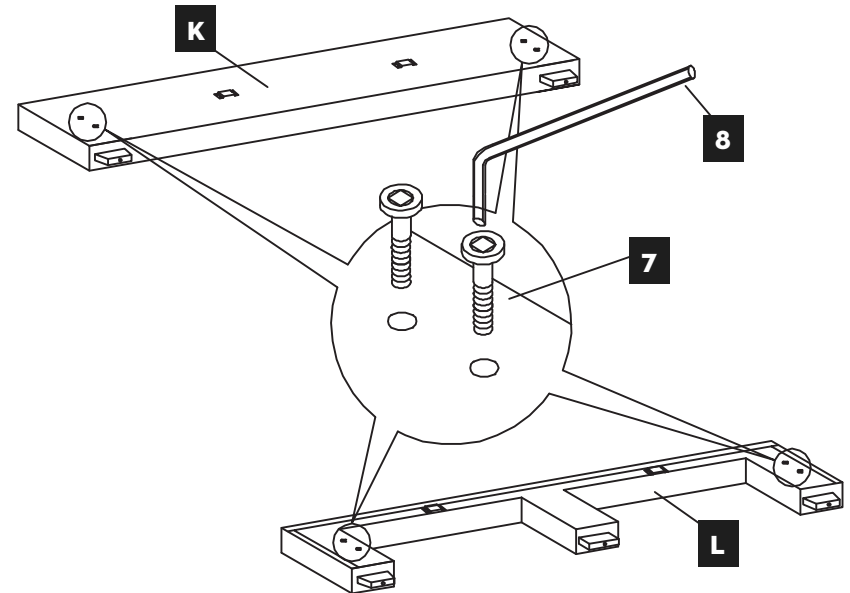
5

Attach all four corner legs (M) to the head rail (K) and foot rail (L) with long bolts (5) and the 100mm Allen key (6). With the remaining long bolt (5), attach the foot rail center leg (N) to the middle of the foot rail (L).



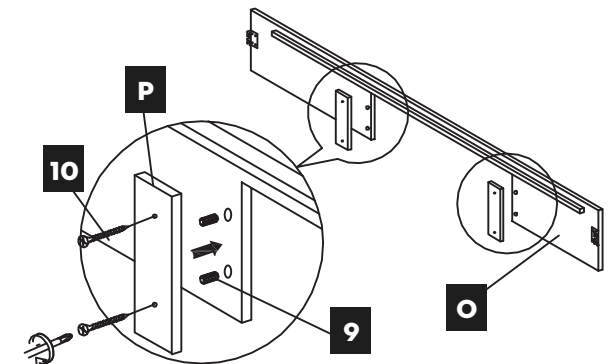
6

Place short bolts (7) in the holes on each side of the head rail (K) and foot rail (L). Then loosely tighten each bolt with the 70mm Allen key (8) until the bolts are partly visible.



7

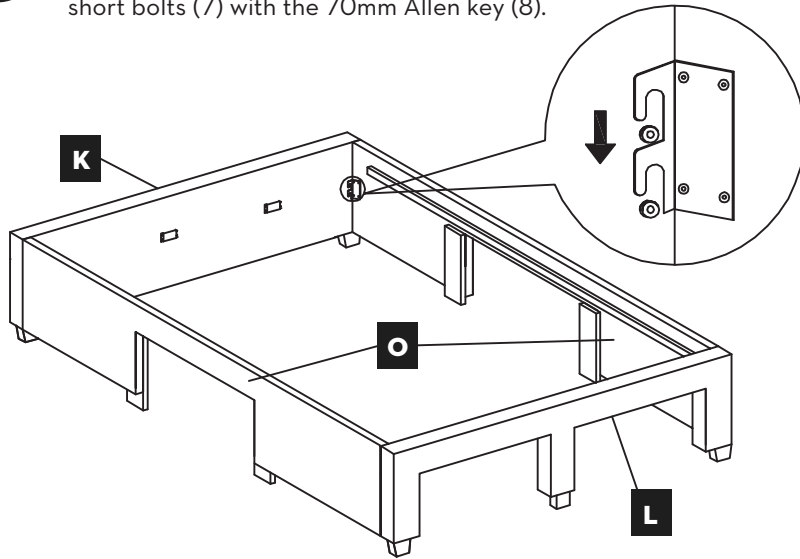
Insert wooden dowels (9) into the holes on the side rails (O). Attach the side rail support legs (P) by pushing them onto the wooden dowels (9). Then secure them to the side rails (O) with 25 mm screws (10) and a screwdriver.



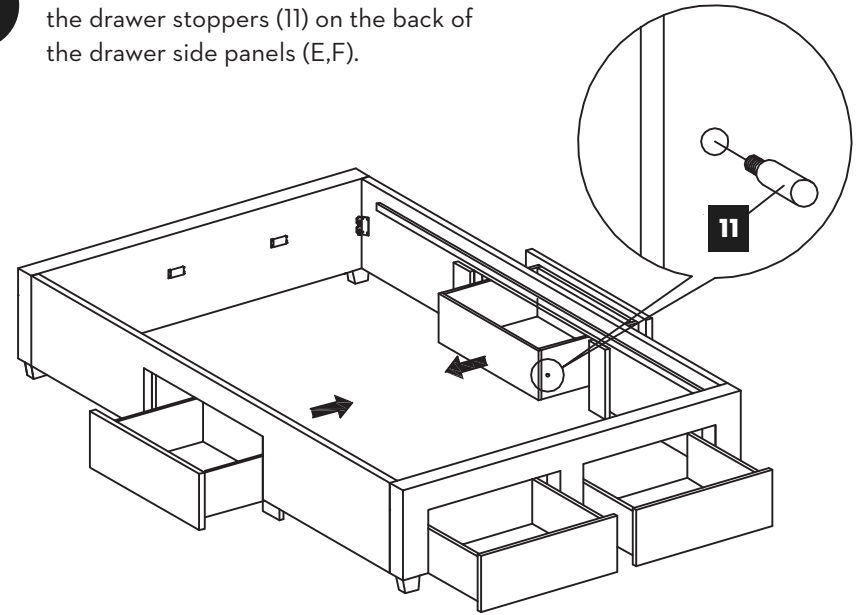
ATTENTION: Pre-drilled holes are on the back of the side rail support legs (P).

MALOUF® | WATSON BED FRAME ASSEMBLY (CAL KING, KING)

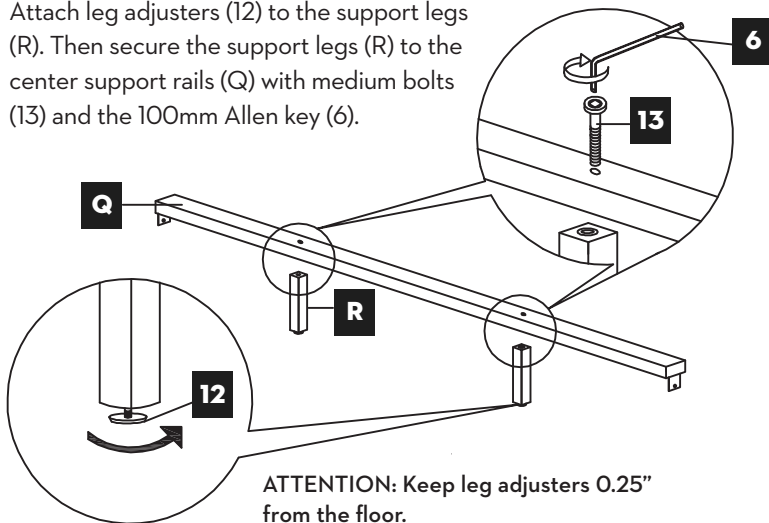
- 8** Attach the side rails (O) to the head rail (K) and foot rail (L). Then finish tightening the short bolts (7) with the 70mm Allen key (8).



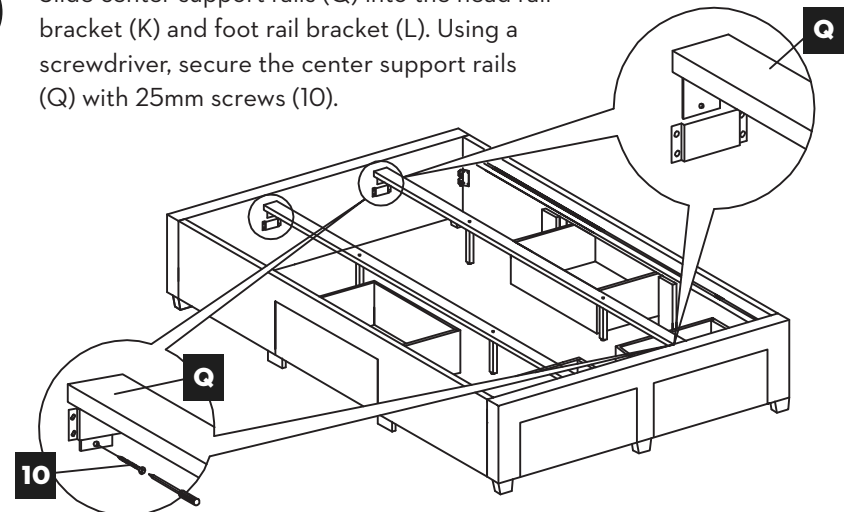
- 9** Slide all drawers into place then install the drawer stoppers (11) on the back of the drawer side panels (E,F).



- 10** Attach leg adjusters (12) to the support legs (R). Then secure the support legs (R) to the center support rails (Q) with medium bolts (13) and the 100mm Allen key (6).



- 11** Slide center support rails (Q) into the head rail bracket (K) and foot rail bracket (L). Using a screwdriver, secure the center support rails (Q) with 25mm screws (10).



MALOUF® | WATSON BED FRAME ASSEMBLY (CAL KING, KING)

12

Using a screwdriver, secure the slat roll (S) to the side rails (O) and center support rails (Q) with 32mm screws (2).

