

Limited Warranty



HUBBLE PLUS MASSAGE LOUNGER

Consumer Limited Warranty: ONE-YEAR WARRANTY

This warranty guarantees that the product purchased is to be free from defects in material and workmanship under normal usage and local voltage for a period of one year. This warranty expires in TWO (2) years on parts, and ONE (1) year on labor after the date of purchase.

U.S. Jaclean, Inc. (referred to as "the Warrantor") will repair this product with new or rebuilt parts in case of defects in material or workmanship, free of charge, in the USA provided that:

- 1) The product is operated in accordance with the printed instructions supplied.
- 2) The product is used under normal conditions for which designed.
- 3) The product is not subjected to misuse, negligence, or accident.
- 4) The product receives proper care, protection, and maintenance.

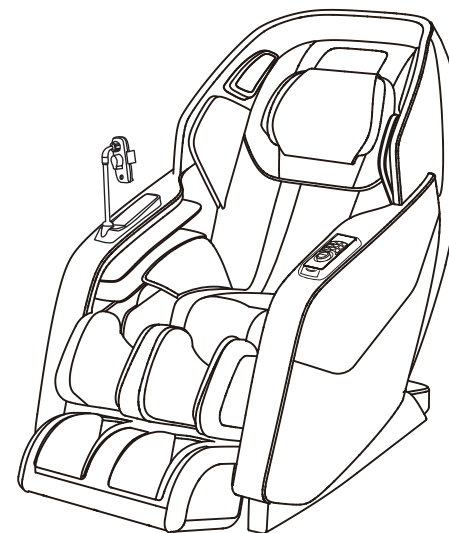
This warranty is extended to the original end-user when purchased from an authorized U.S. Jaclean, Inc. distributor. A purchase receipt or other proof of date of the original purchase is required for service and parts replacement under this warranty. This warranty does not cover shipping charges for defective items if a claim is made more than 30 days after the date of purchase.

This warranty only covers failures due to defects in materials and workmanship, and does not cover normal wear or cosmetic damages. This warranty does not cover damages which occur in shipment, or failures which result from: accident, misuse (including, without limitation, failure to comply with instructions and use limitations contained in the Operating Instructions), abuse, neglect, mishandling, faulty installation, set-up adjustments, improper operation or maintenance, alteration, modification, power line surge, lightening, improper line voltage, commercial use such as hotel, office, restaurant, or other business or rental use of product, service by anyone other than from U.S. Jaclean, Inc., or damage that is attributable to "acts of God." Continued use of this product after discovering a defect voids this warranty. This warranty gives you specific legal rights, and you may also have other rights which may vary from state to state.

IMPORTANT: DO NOT return defective product to the store.
Contact U.S. Jaclean, Inc. for repair services.

Please retain this Warranty Certificate, together with the original purchase receipt, and present it to our technician for inspection during service.
For assistance and more information, please contact U.S. Jaclean, Inc.
Online warranty registration at: daiwamassage.com

HUBBLE^{PLUS} MASSAGE LOUNGER



OPERATING INSTRUCTIONS

HUBL-2



Distributed by U.S. Jaclean, Inc.
Gardena, CA 90249

1-833-542-1918
9AM - 5PM PST (Monday - Friday)
daiwamassage.com

▶ HUBBLE PLUS MASSAGE LOUNGER

Thank you for purchasing the **Hubble Plus Massage Lounger**.
Before using this chair for the first time, please read through all sections of this user manual carefully, paying special attention to the Safety Instructions.

PLEASE RETAIN THIS MANUAL FOR FUTURE REFERENCE.

▶ CONTENTS

IMPORTANT SAFETY PRECAUTIONS.....	1
PARTS	3
Exterior Structure.....	3
Interior Structure	3
Power Supply.....	4
MESSAGE CHAIR OPERATION	5
Armrest Controller	5
Armrest Controller Operation	6
Main Controller	8
Main Controller Operation	9
Automatic Programs	10
Manual Programs	12
FUNCTIONS AND FEATURES.....	17
SETUP	19
Installation	19
Before Using the Chair the First Time.....	24
Massage Chair Placement	24
Move Method	25
Grounding Instruction.....	26
PRODUCT STORAGE AND MAINTENANCE	27
TROUBLESHOOTING.....	28
TECHNICAL SPECIFICATIONS.....	29
LIMITED WARRANTY.....	30

▶ PRODUCT SPECIFICATIONS

Product Name: Hubble Plus
Product Model: HUBL-2
Rated Voltage: 110-120V~
Rated Frequency: 60Hz
Rated Power: 1.78A
Safety Design: Class I

▶ TROUBLESHOOTING

No.	Problem	Check the Following:	Explanations / Remedies
1	Noise is heard during operation.	N/A	These noises are normal and arise from slight friction between the massage rollers and the leather cover.
2	Operation fails to start.	The power cord is not secured to the socket.	Insert the power plug properly into the power socket.
		Power Switch is off.	Turn on the switch.
		The fuse is blown.	Replace with a fuse of the same type.
3	Airbags within the seat and the Legrest fail to work properly.	Are the air tubes blocked?	Straighten the air tube and clear it of any blockages.
4	No music comes from the speakers.	The volume is turned to the lowest setting.	Adjust the speaker volume from the mobile device
		Bluetooth didn't connect with the music device.	Reconnect to the Bluetooth.
5	Backrest or footrest cannot ride or recline.	Excessive load has been pressed on the backrest or legrest.	Reduce the load and try again later.

If problems persist after applying the suggestions above, turn off power and remove the power plug from the wall outlet. Then contact the manufacturer for maintenance and repair.

IMPORTANT

Do not attempt to dismantle or repair the chair by yourself. Doing so will void the warranty and U.S. Jaclean, Inc. will not bear any responsibility for any subsequent consequences.

▶ IMPORTANT SAFETY PRECAUTIONS

Please pay close attention to the following safety information while using your massage chair. Please carefully read all instructions before using this product.

WARNING

In order to reduce risk of fire, burns, electric shock or injury to others, please abide by the following instructions:

1. Be sure to unplug the unit when it is unattended. Ensure that it is left unplugged when not in use or before installing or removing any parts.
2. Children and any person requiring special care should use this unit under adult supervision.
3. Be sure to use this unit for the purposes described in this manual. Please do not install parts and accessories not provided by the manufacturer.
4. This unit must not be used under these conditions:
 - a) the power cord or plug is damaged;
 - b) the unit is malfunctioning or operating incorrectly;
 - c) the unit is damaged or exposed to water.
 Contact our service center for inspection and repair.
5. Do not move this massage chair by pulling the power cord or using the cord as a handle.
6. Be sure to keep the power cord away from any source of heat.
7. Do not use this unit when the air outlet is blocked. Please keep the air outlet unblocked and free from hair and dust.
8. Do not drop or insert any objects into any opening.
9. Do not use this product outdoors.
10. Do not use this product in areas where aerosol products are used or oxygen is being released.
11. To power off, please switch off all controls before unplugging.
12. Please do not stand on or in the unit. It can only be used in a seated position.
13. Be sure to supervise children and ensure that they do not use the unit as a toy or for playing.
14. Connect this unit to a properly grounded outlet only. See Grounding Instructions (Page 26).
15. This unit is not intended for use by persons (including children) with reduced sensory or mental capabilities, or those with a lack of experience or knowledge of its operation, unless they have been given supervision or instruction concerning use of the appliance by a person responsible for their safety. Children should be supervised to ensure that they do not play with the unit.
16. If the covering is torn or worn away, do not use the unit and return to service center for replacement of outer cover.

SAVE THESE INSTRUCTIONS

This massage chair is intended for household use only. Please consult a doctor before using the massage chair if it is to be used by a child or persons with any medical condition.

▶ IMPORTANT SAFETY PRECAUTIONS

CAUTION

Anyone with the following conditions should consult a medical professional before using this device:

- Persons using embedded medical electronic devices such as a pacemaker.
- Women who are pregnant or who have just given birth.
- Persons with sensory loss or numbness.
- Persons with sensitivity to heat.
- Persons with bodily injuries including open wounds on the skin.
- Persons with bone injuries or with weak bones, loss of bone density, or who are otherwise prone to damaging or bruising bones.
- Persons using blood thinners or who bruise easily.
- Persons with skin disorders or who are prone to allergic reactions of the skin (sensitive skin).
- Any illness or injury that may cause you to be adversely affected by heat or massage pressure.

General Safety Precautions:

- Do not use unit if it shows signs of malfunctioning or damage. Do not use if there are any rips or tears in the fabric that may expose the moving parts underneath, as serious injury can result.
- Setup unit properly by following all instructions in the section "Setup." Failure to follow proper setup and use instructions can cause injury or damage.
- Do not use the unit for longer than 30 minutes at one time. Continual use to one specific part of the body should not exceed five minutes. Excessive massage or heat applied to one area can cause injury or discomfort.
- Do not use the heat function for long periods of time, as low-temperature burns may occur.
- If rashes, skin reddening, itching, or other skin discomfort or skin reactions occur, discontinue use and consult a medical professional.
- Do not leave unit unattended while plugged in. Keep chair powered off and unplugged when not in use or when not supervised.
- Do not sleep in the unit while it is in use.
- For use by only one person at a time.
- Do not use accessories while using the unit, including added heat blankets or pads or other heating units, and including any other massage units or electronic devices.
- Wear loose, comfortable clothing when using the chair.
- Remove items that can cause injury during a massage, including: jewelry, hair accessories and hats, belts, glasses, and any other hard items that could be pressed against your skin. Empty all items from pockets, including wallets.
- Do not unplug or flip the power switch when the unit is in use.
- Do not move the unit while it is in use or while anyone is in it.
- Not intended for use by pets, elderly persons, children, disabled persons, drowsy/inebriated persons, or persons with sensory loss.

▶ PRODUCT STORAGE AND MAINTENANCE

CLEANING

- ▶ Before cleaning, switch OFF power and remove the power plug from the wall outlet.
- ▶ Dip a soft, cotton cloth in neutral detergent and wring dry. Use it to wipe the pillow cushion, back cushion, armrests, legrests, and any plastic parts of the chair.
- ▶ Use a piece of wet cloth (without detergent) to re-wipe the pillow cushion and back cushion.
- ▶ Use a soft, dry cloth to re-wipe the armrests, legrests, and any plastic parts of the chair.
- ▶ Use a soft, dry cloth to wipe the controller, and the power supply box.
- ▶ To clean the foot/calf unit covers, remove them from the chair, hand wash with mild detergent and hang dry.

CAUTION

- ▶ Before any maintenance, always disconnect the power plug from the wall outlet.
- ▶ To avoid electric shock, never touch the power plug with wet hands.
- ▶ When cleaning the back cover of the massage chair, do not allow any detergent to seep into the power supply box.
- ▶ Do not use abrasive chemicals, such as benzene or alcohol, to clean this chair. Damage to the chair may result.
- ▶ Do not apply an iron or any other heated device to the chair.

STORAGE

When not in use, be sure to switch off power and detach the power plug from the wall outlet. Before putting into storage, wipe off all accumulated dirt and dust from the surface of the chair. Cover the entire surface of the chair with a dust cover (not included).

CAUTION

- ▶ Do not store the product under direct sunlight, nor in a location with high temperatures. Doing so may cause the upholstery to fade.
- ▶ Do not allow massage chair to remain in contact with vinyl or wallpaper for extended periods of time as this could lead to discoloration.

MAINTENANCE

Upon detecting any of the following conditions during daily use, immediately turn off power, disconnect the power plug from the wall outlet, and contact an authorized repairman:

- ▶ A burning smell
- ▶ The power cord feels hot
- ▶ Any other abnormal functioning
- ▶ The cord is plugged in and the power switch flipped on, but no functions operate

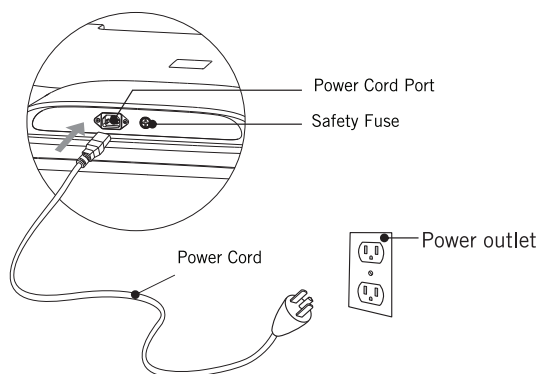
▶ SETUP

GROUNDING INSTRUCTIONS

This unit must be grounded. If it should malfunction or breakdown, grounding provides a path of least resistance for electric current to reduce the risk of electric shock. This product is equipped with a cord having an equipment-grounding conductor and a grounding plug. The plug must be plugged into an appropriate outlet that is properly installed and grounded in accordance with all local codes and ordinances.

TURNING ON THE POWER

- ▶ Plug the power cord into the port at the base of the chair.
- ▶ Plug the three-pronged power plug into a properly grounded three-pronged power outlet.
- ▶ Flip on the power supply switch, located on the back of the massage chair at the base of the backrest.

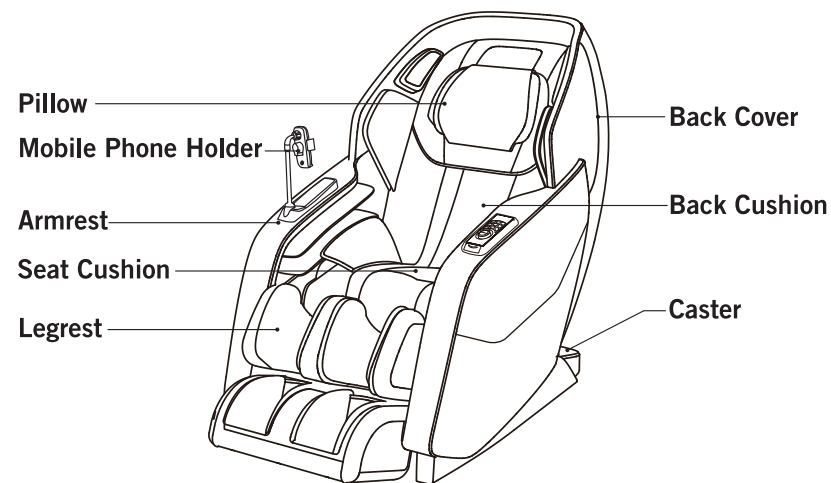


⚠ DANGER

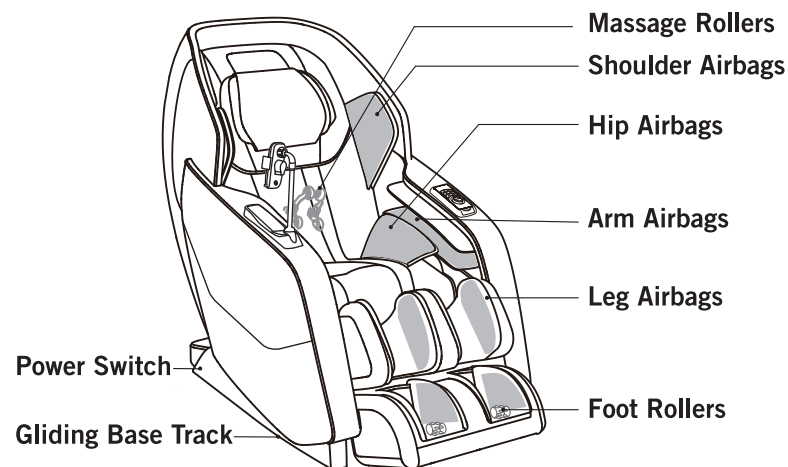
- ▶ This product is for use on a nominal 120-volt circuit and has a grounding plug that looks like the plug illustrated. Make sure that the product is connected to an outlet having the same configuration as the plug. No adapter should be used with this product.
- ▶ Improper connection of the equipment-grounding conductor can result in a risk of electric shock. Check with a qualified electrician or serviceman if you are in doubt as to whether the product is properly grounded. Do not modify the plug provided with the product – if it will not fit the outlet, have a proper outlet installed by a qualified electrician.

▶ PARTS

EXTERIOR STRUCTURE

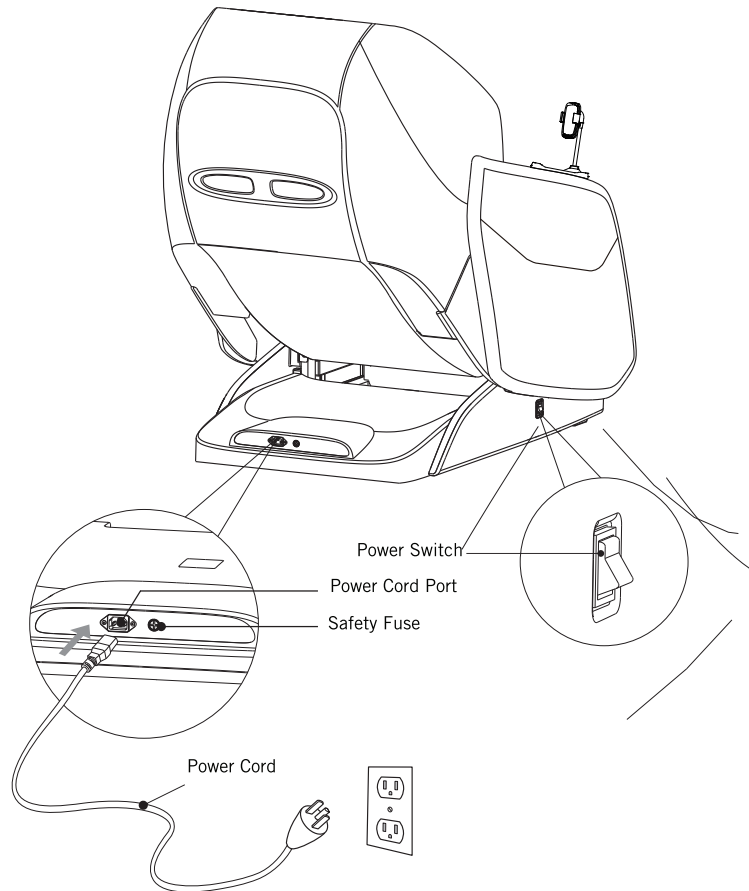


INTERIOR STRUCTURE



▶ PARTS

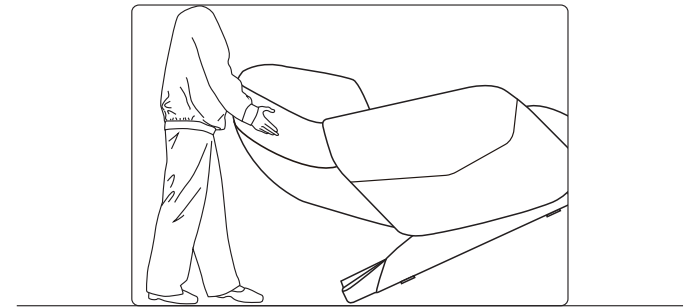
POWER SUPPLY



▶ SETUP

MOVE METHOD

- ▶ Make sure that the backrest is in its highest upright position.
- ▶ Shut off power and remove the power plug from the wall outlet.
- ▶ Standing behind the back of the chair, grasp its backrest and tilt it downward, so that the front of the chair rises off of the floor. Push the chair to the location you desire.



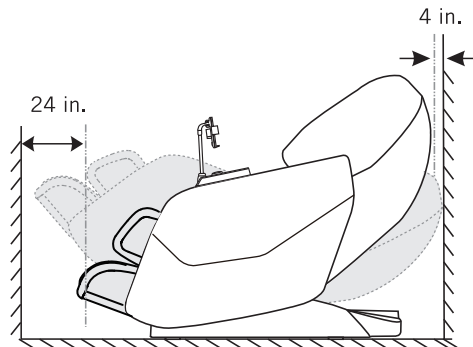
⚠ CAUTION

- ▶ Do not attempt to move the chair while someone is still sitting on it.
- ▶ When moving the chair, always grasp it by the backrest. Do not move the chair by pulling its armrests, as the armrests can dislodge.
- ▶ Before plugging it in, inspect the entire power cord and plug for any possible damage. Make sure that no electrical wires are exposed.
- ▶ Make sure that the power supply switch is turned OFF before inserting the power plug into a wall outlet.

▶ SETUP

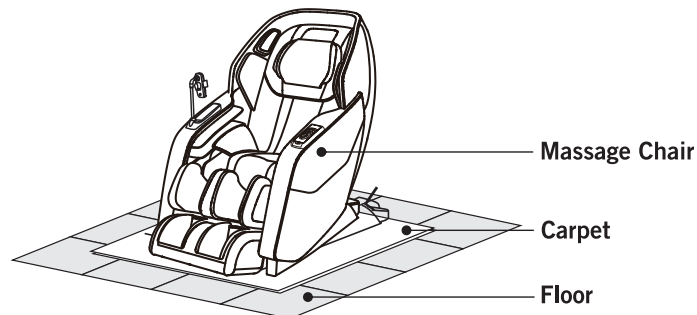
BEFORE USING THE MASSAGE CHAIR FOR THE FIRST TIME

- ▶ Make sure there are no objects, people, or pets in the vicinity of the unit.
- ▶ Check that the chair has room to recline. Allow at least 24 in. of open space in front of the legrest and 4 in. behind the backrest.
- ▶ Use the controller to lower the backrest to its furthest outstretched position.
- ▶ Raise the legrest to its highest position. Make sure that the legrest is properly connected to the chair.
- ▶ Press the power button to return the chair to its original, upright position.



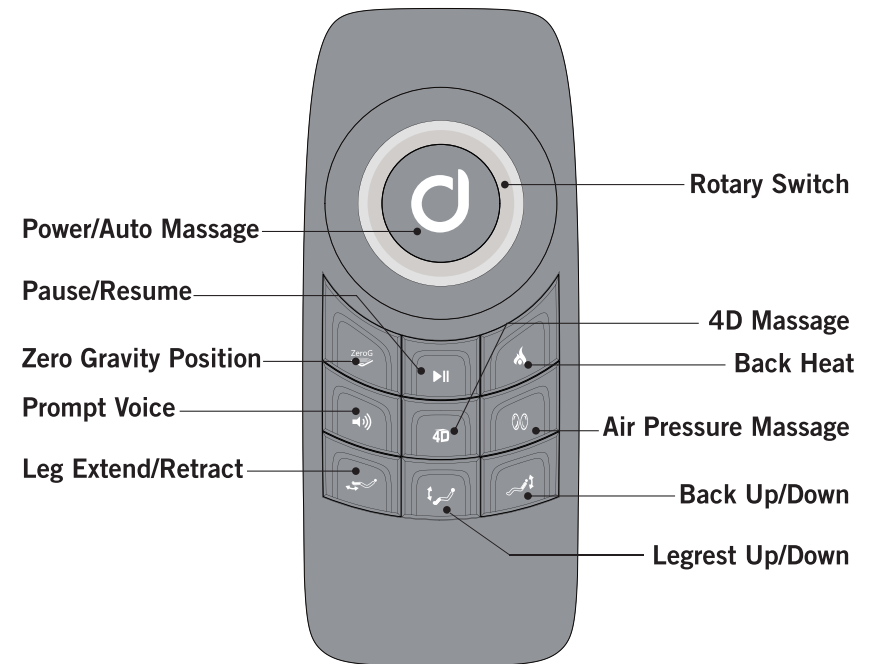
MASSAGE CHAIR PLACEMENT

- ▶ Ensure adequate space to recline.
- ▶ Do not expose the massage lounger to direct sunlight or high temperatures, such as in front of heating sources because this can cause discoloration or hardening of the synthetic leather.
- ▶ Place the unit on a mat to prevent floor damage.
- ▶ Install the unit near a power socket.
- ▶ Be sure to place the chair within 4ft of a power plug.



▶ MASSAGE CHAIR OPERATION

ARMREST CONTROLLER



▶ MESSAGE CHAIR OPERATION

ARMREST CONTROLLER OPERATION

The Armrest Controller gives you the convenient access to key functions of your chair. Please use the Main Controller for full access to all of the chair's functions (see page 8).

Power/Auto Massage Button

- ▶ When massage chair is in sleep mode, long press this button for 3 seconds to power on the chair (white indicator surrounding the button lights up).
- ▶ Press again to start Auto Massage Program, you may toggle among 6 pre-set Auto Massage programs.
- ▶ Long press this button again to turn off the massage chair.

Rotary Switch

Use the button and rotary switch to achieve quick controls:

- ▶ Press the Heat button on the armrest (red indicator lights up), then rotate the rotary switch to adjust the heat settings.
- ▶ Press the Prompt Voice button on the armrest (red indicator lights up), then rotate the rotary switch to adjust the Prompt Voice volumes.
- ▶ Press the 4D Massage button on the armrest (red indicator lights up), then rotate the rotary switch to adjust the 4D Massage strength.
- ▶ Press the Air Pressure Massage button on the armrest (red indicator lights up), then rotate the rotary switch to adjust the Air Pressure Massage intensity.
- ▶ Press the Footrest Extension Adjust button on the armrest (red indicator lights up), then rotate the rotary switch to adjust the Footrest Extension.
- ▶ Press the Footrest Up/Down button on the armrest (red indicator lights up), then rotate the rotary switch to adjust the footrest position.
- ▶ Press the Back Up/Down button on the armrest (red indicator lights up), then rotate the rotary switch to adjust the backrest position.

Tip: Always press the quick control button first (the red indicator will light up when the function is activated) then rotate the rotary switch to adjust the settings.

Zero Gravity Position Button

- ▶ Press to put the chair in Zero Gravity, the indicator light will turn red; press again to turn off the function, the indicator light will turn green.

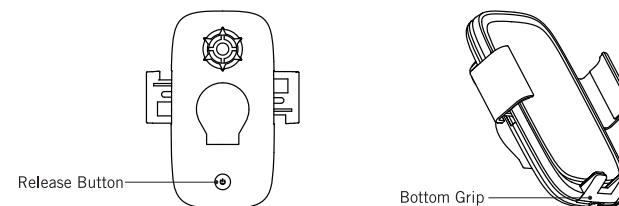
Pause/Resume Button

- ▶ Press to pause the massage chair function, press again to resume the massage.

▶ SETUP

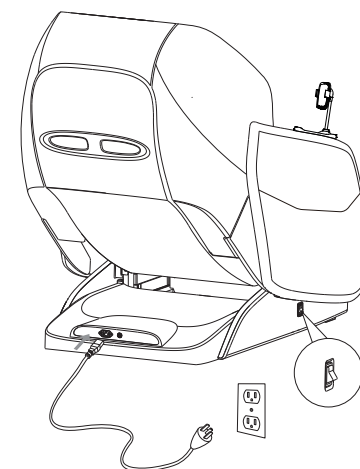
How to Use the Mobile Phone Holder

- ▶ When connected to power, the red and green indicator light will illuminate.
- ▶ After 3-5 seconds, press the Release Button or Bottom Grip to activate.
- ▶ Touch the button again to slide open the left and right arms of the cradle.



STEP 6: Power Supply

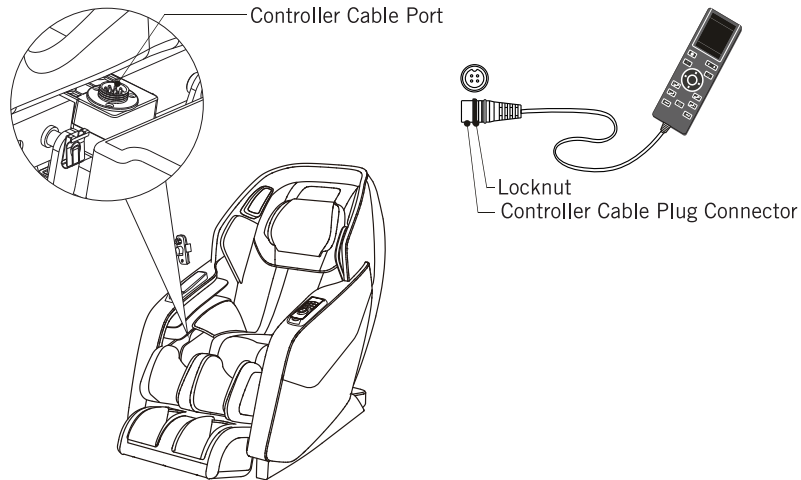
- ▶ Connect the controller to the corresponding port on the power supply box. Insert the power plug of the chair into a wall outlet, then turn on power to return the chair's backrest to its upright position.
- ▶ After all parts assembled, insert the power cord into the power socket, and then turn on the switch, press the power on the remote control to start massage.



▶ SETUP

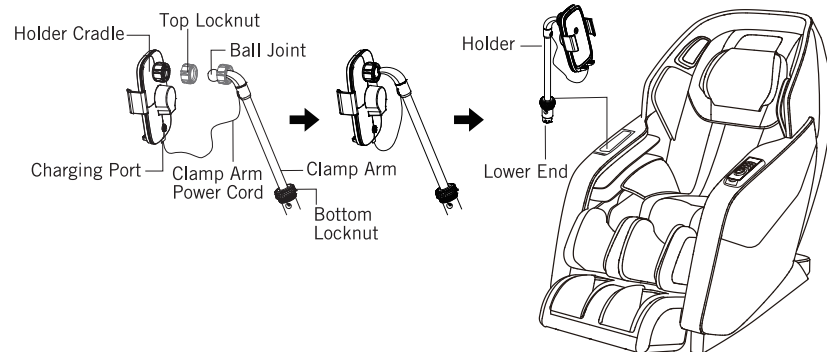
STEP 4: Install the Controller Unit

- ▶ Connect the Control Cable Plug Connector to the massage chair's Controller Cable Port, then tighten the screw cap clockwise to secure the connector in place. (Check below illustration for reference.)



STEP 5: Install Mobile Phone Holder

- ▶ Remove the Mobile Phone Holder parts from their carton.
- ▶ Connect the Clamp Arm Power Cord to the Cradle Charging Port.
- ▶ Unscrew the Top Locknut and slide it over the knob of the Clamp Arm. Insert the Ball Joint into the Holder Cradle port and screw the Top Locknut unit it is secure.
- ▶ Insert the Lower End of the Clamp Arm into the socket on the chair. Turn the Bottom Locknut clockwise to secure the Mobile Phone Holder into place.



▶ MESSAGE CHAIR OPERATION



Heat Button

- ▶ Press to turn on Back Heat, the button indicator turns red; press again to turn off back heat, the button indicator turns green.



Prompt Voice Button

- ▶ Press to turn on Prompt Voice, the button indicator turns red; press again to turn off the function, the button indicator turns green.



4D Message Button

- ▶ Press to turn on the 4D massage, the button indicator turns red; press again to turn off 4D massage, the button indicator turns green.



Air Pressure Massage Button

- ▶ Press this button to turn on the Air Pressure Massage, the button indicator turns red; press again to turn it off, the button indicator turns green.



Footrest Extension Adjustment Button

- ▶ Press to turn on the Footrest Extension adjust, the indicator turns red; press again to turn off footrest extension adjust function, the button indicator turns green.



Feet Up/Down Button

- ▶ Press to turn on Footrest Up/Down adjust, the button indicator turns red; press again to turn off Footrest Up/Down adjust, the indicator light turns green.



Back Up/Down Button

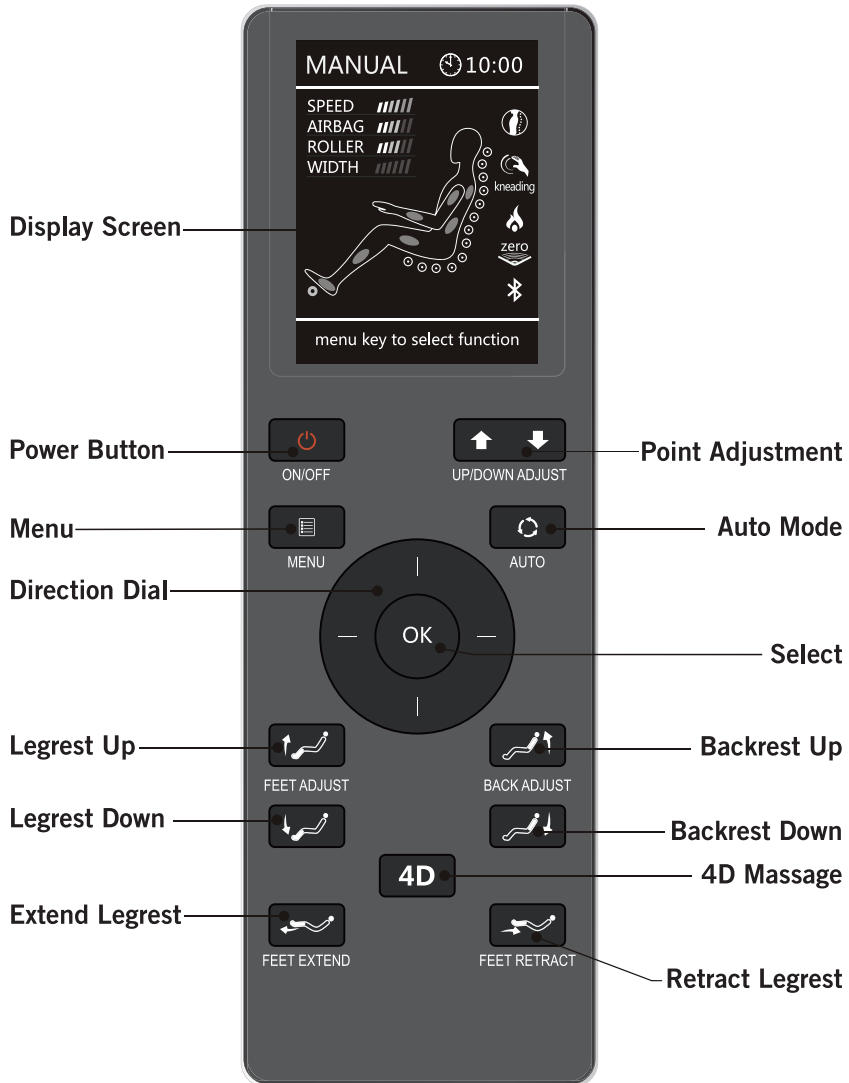
- ▶ Press this button to turn on backrest up/down adjust, the button indicator turns red; press again to turn off Backrest up/down adjust, the indicator light turns green.

WARNING

- ▶ To avoid electric shock or injury, do not operate the control panel with wet hands.
- ▶ Do not spill water or other liquid onto the control panel or it may malfunction.

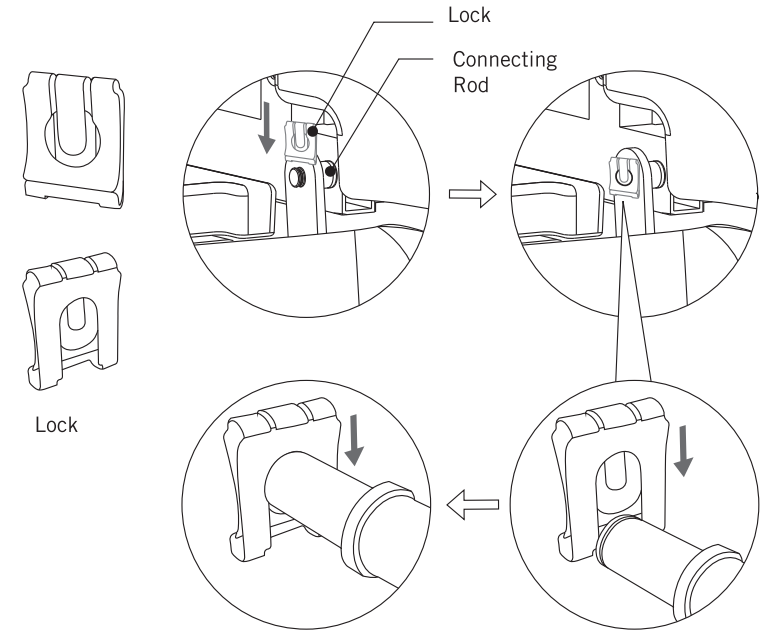
▶ MESSAGE CHAIR OPERATION

MAIN CONTROLLER

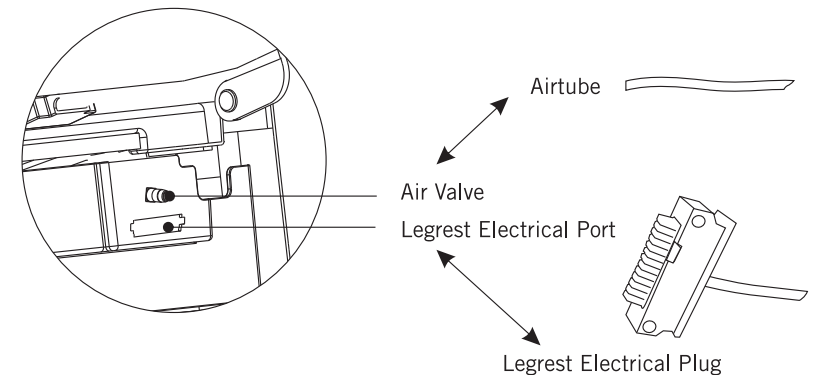


▶ SETUP

- ▶ After attaching the legrest, lock Connecting Rods into place by sliding one of the included Locks over the edge of the rod and pressing down until it clicks.



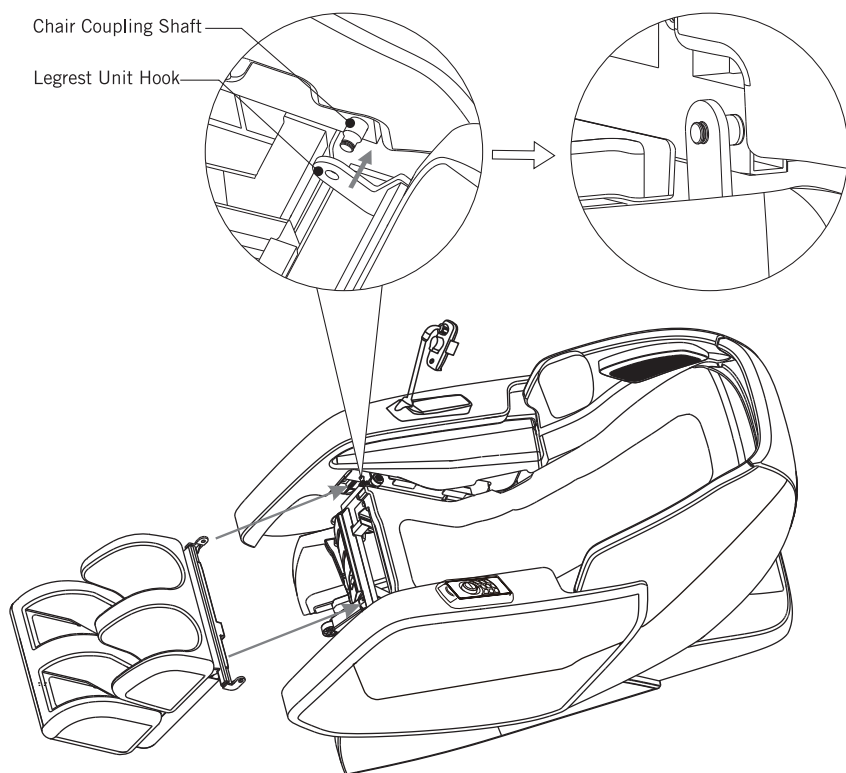
- ▶ Raise the legrest unit, thread the Airtube into the Air Valve, and plug the Legrest Electrical Plug into the Legrest Electrical Port, make sure they are well secured. (Check below illustration for reference.)



▶ SETUP

STEP 3: Installing the Legrest

- ▶ Lift the Legrest Unit Hook and connect it to the Chair Coupling Shaft by hanging it (pay attention to the balance), move the hook to one side of the Chair Coupling Shaft.
- ▶ Then attach the other side.



▶ MESSAGE CHAIR OPERATION

MAIN CONTROLLER OPERATION



Power Button

- ▶ Press to turn ON the unit. The display screen will light up.
- ▶ Press again to turn OFF all functions and power down.
- ▶ Press twice to return the chair to its original upright position.



Menu Button

- ▶ During any massage operation, press here to select a massage function or to start or stop a feature during your current massage program.



Point Adjustment Buttons

- ▶ Press to move the position of the rollers up and down the back.
- ▶ Use the up and down buttons to adjust the rollers to your desired position.



Auto Mode Button

- ▶ Press to access the chair's Automatic Massage Programs.



Direction Dial

- ▶ After pressing the Menu or Auto Program buttons use the Up, Down, Left, or Right keys to navigate the screen. Then press the OK key to confirm a selection.
- ▶ During a massage, press the Up or Down direction keys to adjust the massage speed.
- ▶ Use the Left and Right direction keys to adjust the airbag force.



Legrest Up Button

- ▶ Press and hold to raise the legrest.
- ▶ Release when it reaches your desired position.



Legrest Down Button

- ▶ Press and hold to lower the legrest.
- ▶ Release when it reaches your desired position.



4D Protruding Intensity

- ▶ While the Manual massage program is running, press to change the 4D protruding intensity.

▶ MESSAGE CHAIR OPERATION



Backrest Up Button

- ▶ Press and hold to raise the Backrest.
- ▶ Release when it reaches your desired position.



Backrest Down Button

- ▶ Press and hold to lower the Backrest.
- ▶ Release when it reaches your desired position.



Extend Legrest Button

- ▶ Press and hold to extend the Legrest.
- ▶ Release when it reaches your desired position.



Retract Legrest Button

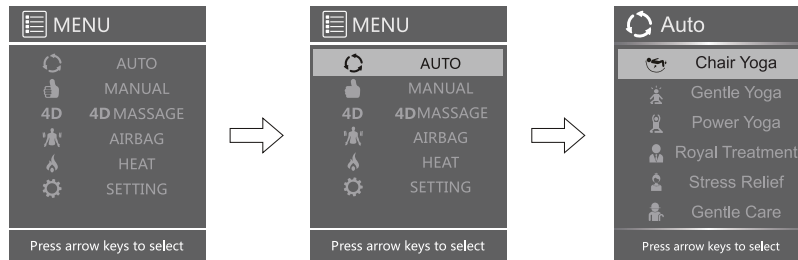
- ▶ Press and hold to retract the Legrest if your legs need more room.
- ▶ Release when it reaches your desired position.

MESSAGE MODES

This chair includes Automatic Massage and Manual Massage Modes. Automatic Massages are timed and pre-programmed routines that use all of the features of your chair for a tailored experience that you can enjoy with the touch of a button. Or you can choose the features you want and where you want to target by selecting Manual Mode and customizing each of the chair's many functions one at a time. The descriptions below help you navigate the interface for both Automatic and Manual Massage Modes.

AUTOMATIC PROGRAMS

- ▶ Press followed by to bring up the Automatic Programs menu.
- ▶ Use the up and down arrow keys to navigate the 12 Auto Massage Programs: Chair Yoga, Gentle Yoga, Power Yoga, Royal Treatment, Stress Relief, Gentle Care, Neck & Shoulder, Back & Spine, Waist & Hip, Morning Buzz, Refreshing Nap, and Sweet Dreams.
- ▶ Press OK to select desired program.



▶ SETUP

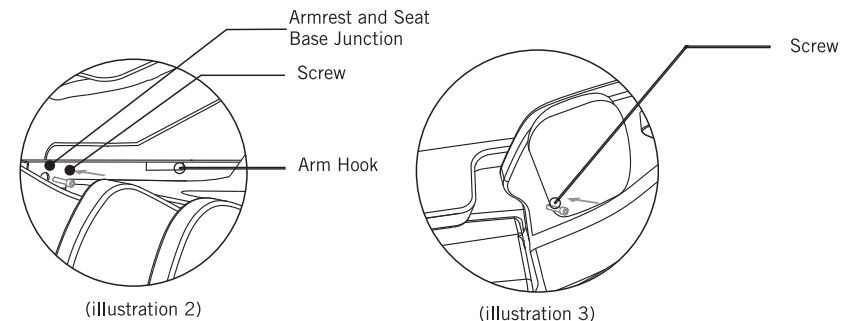
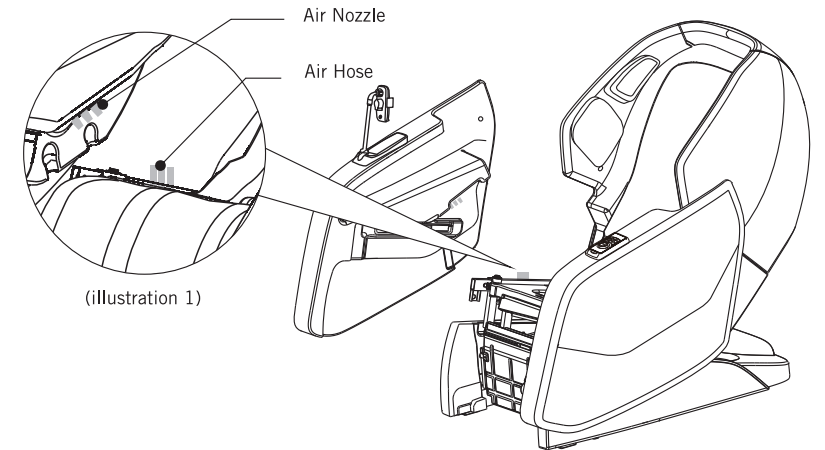
INSTALLATION METHOD

STEP 1: Unpack All Parts

- ▶ Carefully lift the chair and all of its parts from packaging.
- ▶ Remove any protective wrapping and check to make sure that all parts are present.
- ▶ Before beginning installation, please verify all components are included.

Step 2: Install the Armrests

- ▶ Connect the numbered Air Hoses on the chair to the matching numbered Air Nozzles on the armrest (illustration 1).
- ▶ Attach the Armrest to the seat using the Arm Hook. Line the armrest up with the backrest then press the armrest to connect in place (illustration 2).
- ▶ Once together tighten the screw to secure the armrest into place (illustration 3).
- ▶ Repeat the same installation method used for the other side.



▶ FUNCTIONS AND FEATURES

Versatile Massage Techniques

- ▶ Mimic human hand Kneading, Tapping, Knocking, Shiatsu, Sync, and 4D Shiatsu massage techniques for custom-tailored relaxation.

Bluetooth Audio

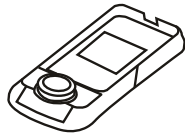
- ▶ Tune in your favorite music through the media devices to immerse yourself in soothing massage and music.

Super Long SL-Style Guide Track

- ▶ Combines the dual technology of an S track and L track.
- ▶ The track covers from the neck to the buttocks.

Charging Function

- ▶ You can put a wireless charging phone into the wireless charging receptacle to charge the device when needed or use the USB port next to the mobile phone/controller for charging.



Calf Air Massage

- ▶ Stress relieving air bag massage covers from the calf to the knee.

CAUTION

- ▶ Do not disassemble this product yourself to avoid product damage.
- ▶ Make sure no water or other liquid enters into the controller to avoid fault.
- ▶ Do not pinch or squeeze the controller or power cord.

▶ MESSAGE CHAIR OPERATION

Chair Yoga

- ▶ Designed for muscle relaxation after sports activity and exercise, this massage helps to ease muscle tension, promote body circulation and facilitate sports recovery.

Gentle Yoga

- ▶ Designed for improving nap and sleep quality, this program adopts gentle massage techniques to relieve body fatigue.

Power Yoga

- ▶ Inspired by Thai-style massage, featuring extension and stretching functions of your chair, this program uses strong kneading and stretching techniques to relax tired, stiff muscles and keep them flexible.

Royal Treatment

- ▶ Designed to greet you after a long work day, this program helps to rejuvenate you both physically and emotionally.

Stress Relief

- ▶ Designed to help to ease pain and stiffness in the neck and shoulders combined with the curvature design of the backrest, this program targets rollers at the deep tissue muscles of the neck and shoulders.

Gentle Care

- ▶ Focusing the massage on the lumbar vertebra, this program helps to soothe tension and keep the vitality of muscles.

Neck & Shoulder

- ▶ Combination of deep tissue massage techniques, this program focuses on muscles in the neck, shoulders, and upper back.

Back & Spine

- ▶ Combination of deep tissue massage techniques, this program focuses on muscles along the spine, upper and lower back and lumbar.

Waist & Hip

- ▶ Combination of deep tissue massage techniques, this massage focuses on muscles on the lumbar, waist, thighs, and around the hip joints.

▶ MESSAGE CHAIR OPERATION

Morning Buzz

- ▶ Start your day with this program, a whole body massage program promotes better blood circulation.


Refreshing Nap

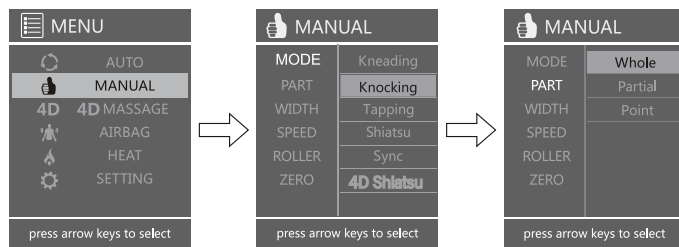
- ▶ Energize your body while you work or study, this program soothes tension and refreshes the body.

Sweet Dreams

- ▶ Variety of mild massage techniques to warm the muscles; encourages calmness and relaxation in preparation for a restful sleep.

MANUAL PROGRAMS

Press the Menu Button  and scroll down to the Manual option. Press the OK button to select. Use the Directional Dial to choose a massage and options based on the descriptions. Press Right and Left to select menus and OK to set options.



Mode

- ▶ Select MODE from the MANUAL display then press the RIGHT arrow key.
- ▶ Use the UP and DOWN arrow keys to navigate the different massage techniques.
- ▶ Press the OK button to select your desired Massage Mode. The options are Kneading, Knocking, Sync, Tapping, Shiatsu, or 4D Shiatsu Massage Modes.

Part

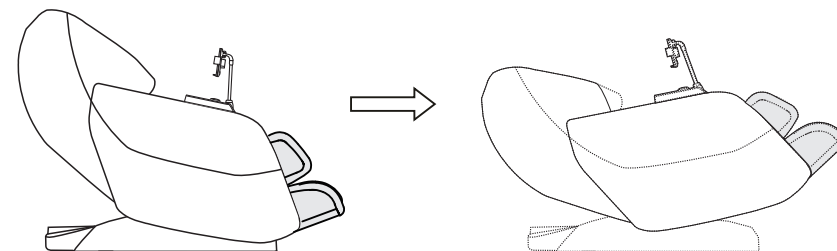
- ▶ Select PART from the MANUAL display then press the RIGHT arrow key.
- ▶ Use the UP and DOWN arrow keys to navigate the specific part of the body to target.
- ▶ Press the OK button to select your desired target area. The options are Whole, Partial, or Point.

▶ FUNCTIONS AND FEATURES

MASSAGE CHAIR FUNCTIONS AND FEATURES

Sliding-Reclining Linkage Mechanism

- ▶ The chair slides forward and reclines to save space and provide the utmost relaxing position.



Zero Gravity Position

- ▶ A weightless position that the height of the legs are slightly higher than the upper body, the weight of body can evenly distributed throughout, reducing the pressure of the spine and joints both physically and mentally.

Human Hand Quad Style Massage Rollers

- ▶ Innovative human hand quad style massage rollers and L-shaped guiding track conform to ergonomic principle.

Auto/Manual legrest Extension

- ▶ The Footrest can extend automatically to customize the user's leg length, you may also use the controller button to adjust the footrest according to your needs. The footrest can extend 7 in. automatically for various users of different height ranges.

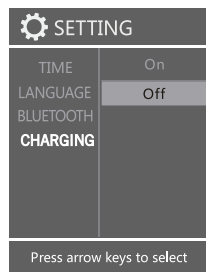
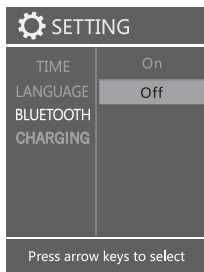
Air Pressure Massage

- ▶ Whole body air pressure massage for shoulders, arms, back, waist, hips, legs, and feet.

Roller Massage for the Feet

- ▶ 3 underfoot rollers provide all-direction massage for the reflex zone.

▶ MESSAGE CHAIR OPERATION



Bluetooth

- ▶ Select BLUETOOTH from the SETTINGS then press the RIGHT button.
- ▶ Use the UP and DOWN arrow keys to turn the bluetooth ON or OFF.
- ▶ Press OK to enter your desired settings.

Charging

- ▶ Select CHARGING from the SETTINGS then press the RIGHT button.
- ▶ Use the UP and DOWN arrow keys to turn the charging ON or OFF.
- ▶ Press OK to enter your desired settings.

Note: All Settings listed above will be memorized when you turn off the massage chair.

Tips:

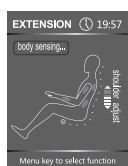
- ▶ In the process of Automatic or Manual Settings the LCD screen will auto revert back to the homescreen after 10 seconds if there is no operation entered.
- ▶ While unit is running, press the MENU button twice to revert to homescreen.
- ▶ At the homescreen display, use the LEFT or RIGHT buttons to adjust the airbag intensity (works in the process of both Auto and Manual program); press UP or DOWN to adjust the massage intensity (only works in the process of Manual program).



Homescreen display with the Manual program running

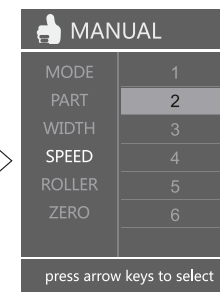
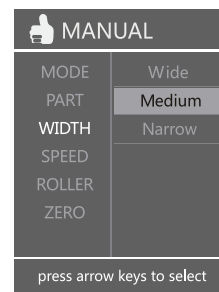


Homescreen display with the Auto program running



Mechanism will scan shoulder position before first time running of Auto Program, it will start to run the desired auto program right after the completion of scanning.

▶ MESSAGE CHAIR OPERATION

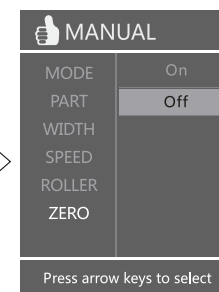
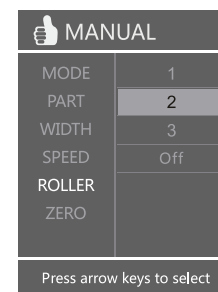


Width

- ▶ Select WIDTH from the MANUAL display then press the RIGHT arrow key.
- ▶ Use the UP and DOWN arrow keys to navigate the roller widths.
- ▶ Press the OK button to select your desired roller width. The options are Wide, Medium, or Narrow.

Speed

- ▶ Select SPEED from the MANUAL display then press the RIGHT arrow key.
- ▶ Use the UP and DOWN arrow keys to navigate the speed intensity.
- ▶ Press the OK button to select your desired speed.



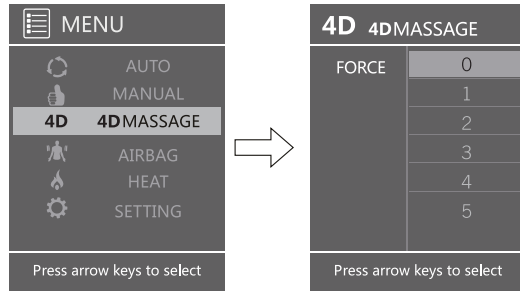
Foot Roller Speed

- ▶ Select ROLLER from the MANUAL display then press the RIGHT arrow key.
- ▶ Use the UP and DOWN arrow keys to navigate the foot roller speeds.
- ▶ Press the OK button to select your desired speed. The options are 1, 2, 3 or OFF.

Zero Gravity

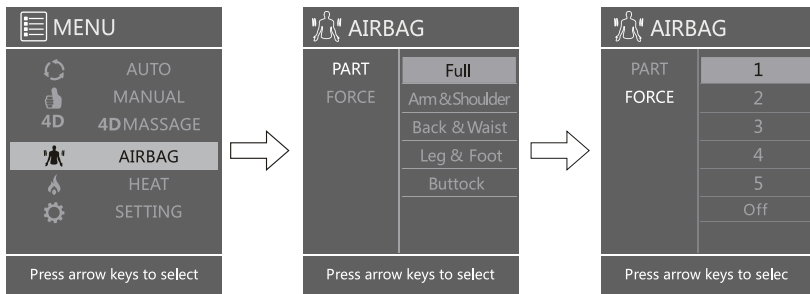
- ▶ Select ZERO from the MANUAL display then press the RIGHT arrow key.
- ▶ Use the UP and DOWN arrow keys to turn the function ON or OFF.
- ▶ Press the OK button to make a selection.

▶ MESSAGE CHAIR OPERATION



4D Massage

- ▶ Select 4D MASSAGE from the MENU display then press the RIGHT arrow key.
- ▶ Press the OK button to enter the FORCE options.
- ▶ Use the UP and DOWN arrow keys to navigate the protruding intensity.
- ▶ Press the OK button to select your desired intensity.



Airbag

- ▶ Select AIRBAG from the MENU display then press the OK button.
- ▶ Use the UP and DOWN arrow keys to choose your desired PART and FORCE.

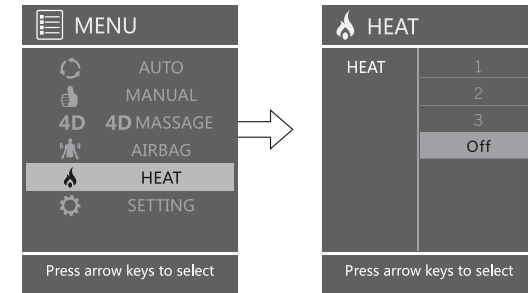
Part

- ▶ Select PART from the AIRBAG display then press the RIGHT arrow key.
- ▶ Use the UP and DOWN arrow keys to choose your target area. The options are Full, Arm & Shoulder, Back & Waist, Leg & Foot, and Buttock.
- ▶ Press the OK button to select the airbag position you desire.

Force

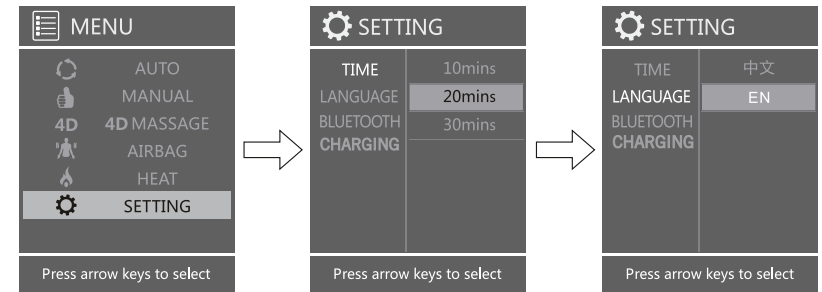
- ▶ Select FORCE from the AIRBAG display then press the RIGHT arrow key.
- ▶ Use the UP and DOWN arrow keys to navigate force levels. The options are 1, 2, 3, 4, 5, or OFF.
- ▶ Press the OK button to make a selection.

▶ MESSAGE CHAIR OPERATION



Back Heat

- ▶ Select HEAT from the MENU display then press the RIGHT arrow key.
- ▶ Use the UP and DOWN arrow keys to navigate heat intensity. The options are 1, 2, 3, or OFF.
- ▶ Press the OK button to select desired back heat level.



Settings

- ▶ Select SETTINGS from the MENU display then press the OK button.
- ▶ Use the UP and DOWN arrow keys to navigate the setting options. Settings available are Time, Language, Bluetooth, and Charging.
- ▶ Press OK to make a selection.

Massage Time

- ▶ Select TIME from the SETTINGS then press the RIGHT button.
- ▶ Use the UP and DOWN arrow keys to navigate the time options. Time options are 10 min, 20 min, or 30 minutes.
- ▶ Press OK to select desired time.

Language

- ▶ Select LANGUAGE from the SETTINGS then press the RIGHT button.
- ▶ Use the UP and DOWN arrow keys to navigate languages. Available languages are Chinese or English.
- ▶ Press OK to select desired language.