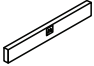
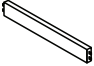




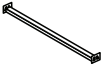



MALOUF® | DUNCAN BED FRAME ASSEMBLY (FULL, QUEEN)

PARTS LIST

A		Headboard	1 pc
B		Siderails	2 pcs
C		Storage Footboard	1 pc
D		Center Support Legs	3 pcs
E		Feet	4 pcs
F		Slats	1 set
G		Center Support Rails	1 pc
H		Drawer Support Legs	3 pcs

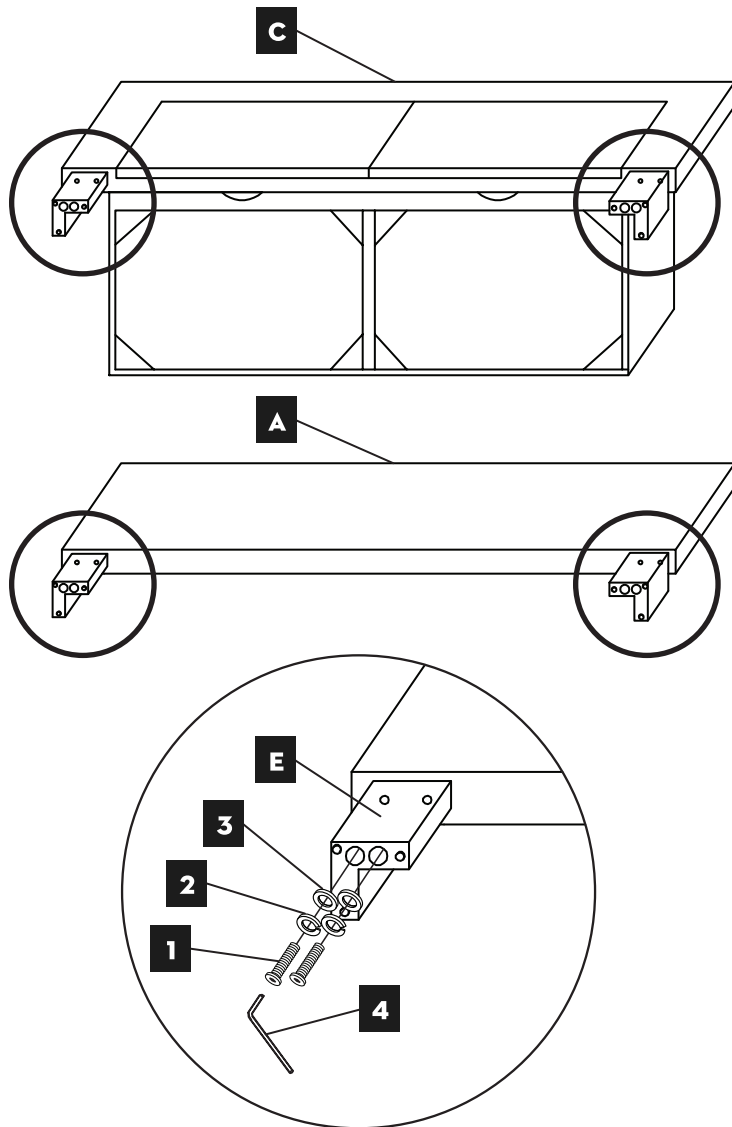
HARDWARE LIST

1		3" Bolts	8 pcs
2		Spring Washers	8 pcs
3		Flat Washers	8 pcs
4		Allen Key	1 pc

MALOUF® | DUNCAN BED FRAME ASSEMBLY (FULL, QUEEN)

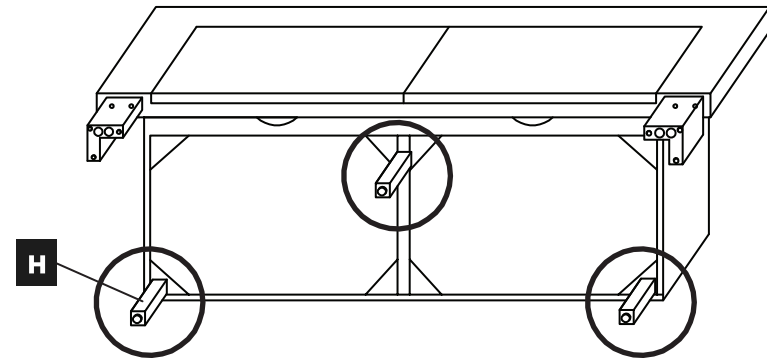
1

Attach the feet (E) to the bottom of the storage footboard (C) and headboard (A) by using the Allen key (4), bolts (1), spring washers (2), and flat washers (3).



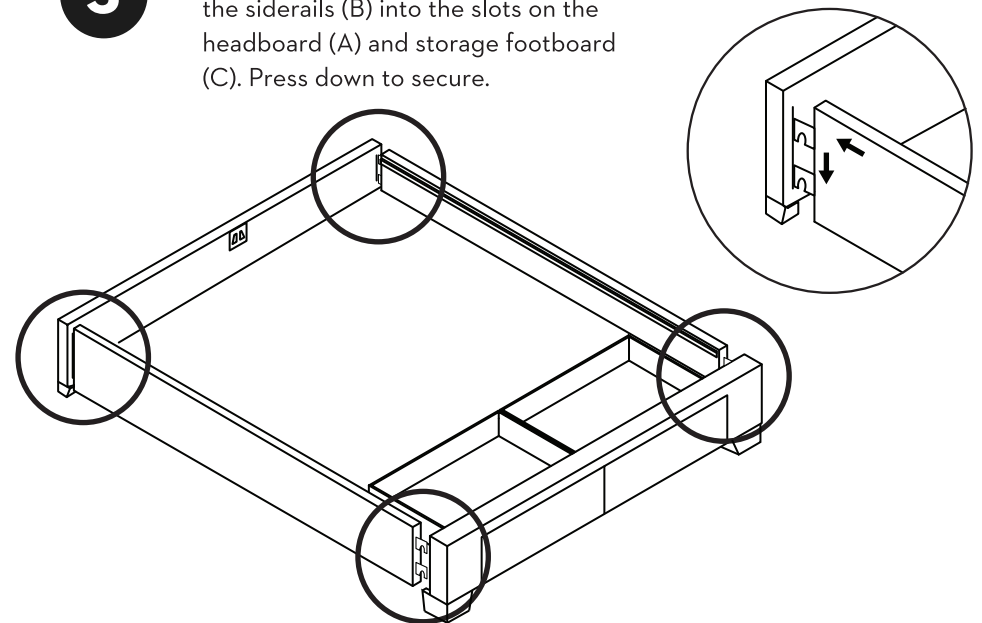
2

Attach the drawer support legs (H) to the bottom of the drawer section of the storage footboard (C).



3

Insert the metal hooks on the ends of the siderails (B) into the slots on the headboard (A) and storage footboard (C). Press down to secure.

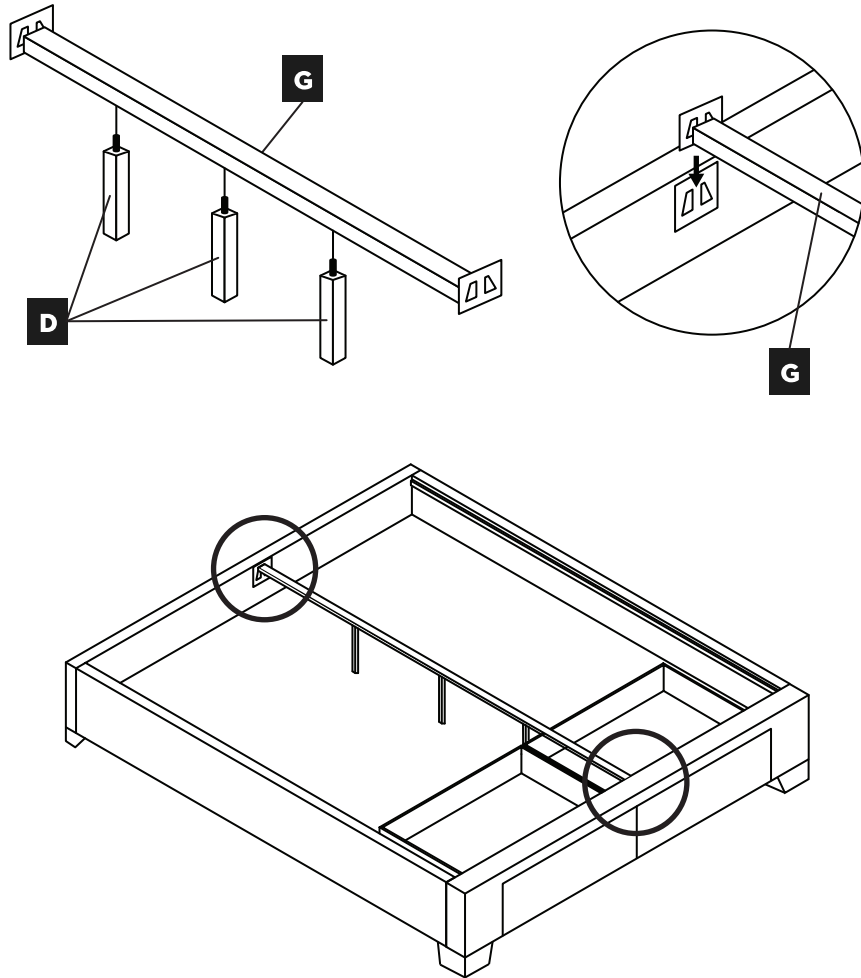


MALOUF® | DUNCAN BED FRAME ASSEMBLY (FULL, QUEEN)

4

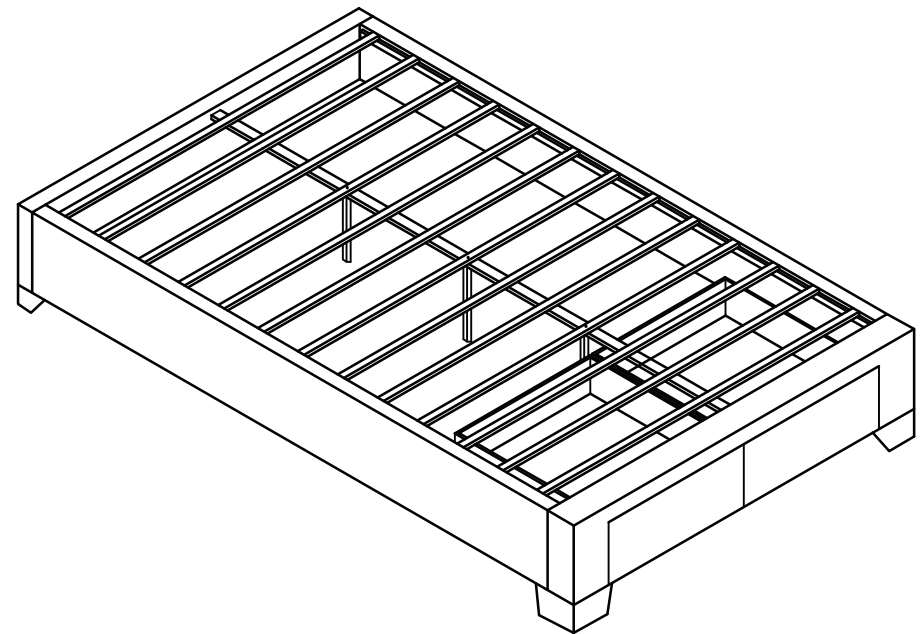
Secure the center support legs (D) to the bottom of the center support rail (G) by turning clockwise.

Attach the center support rail (G) to the headboard (A) and storage footboard (C) by pressing downward on the mounted brackets.



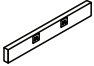
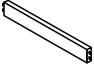




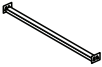

5

Place the slats (F) on top of the center support rail (G) and secure the hook and loop straps to the siderails (B) to complete assembly.






MALOUF® | DUNCAN BED FRAME ASSEMBLY (CAL KING, KING)

PARTS LIST

A		Headboard	1 pc
B		Siderails	2 pcs
C		Storage Footboard	1 pc
D		Center Support Legs	6 pcs
E		Feet	4 pcs
F		Slats	1 set
G		Center Support Rails	2 pcs
H		Drawer Support Legs	3 pcs

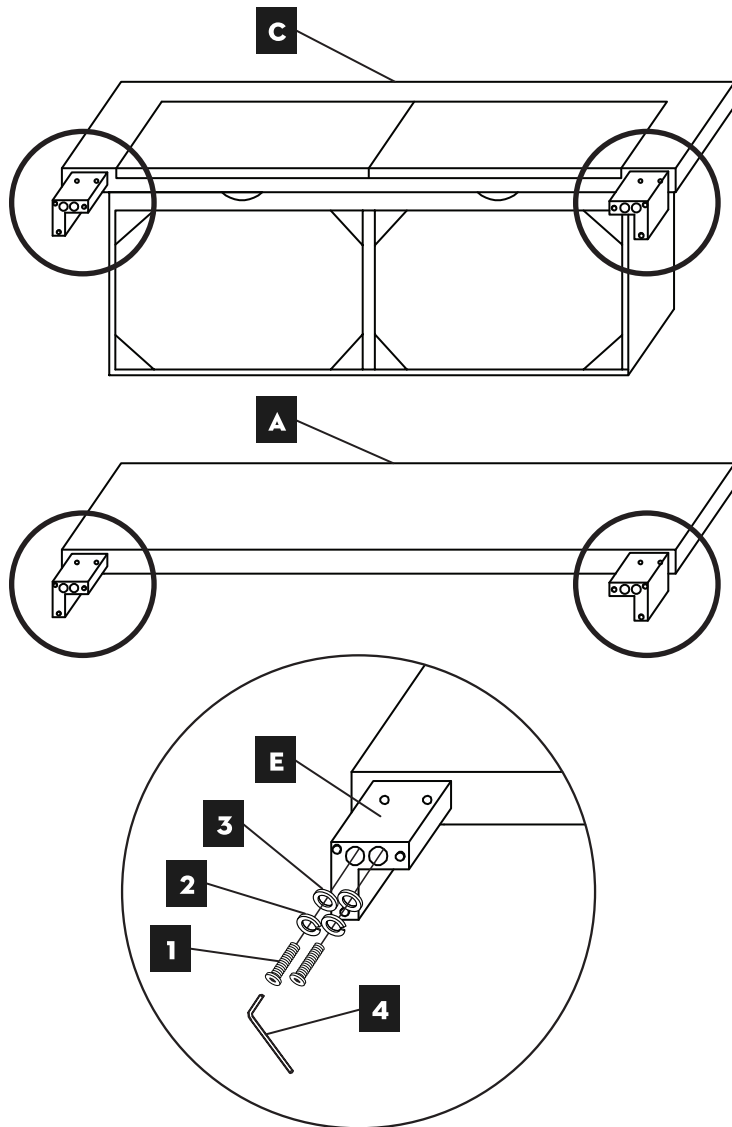
HARDWARE LIST

1		3" Bolts	8 pcs
2		Spring Washers	8 pcs
3		Flat Washers	8 pcs
4		Allen Key	1 pc

MALOUF® | DUNCAN BED FRAME ASSEMBLY (CAL KING, KING)

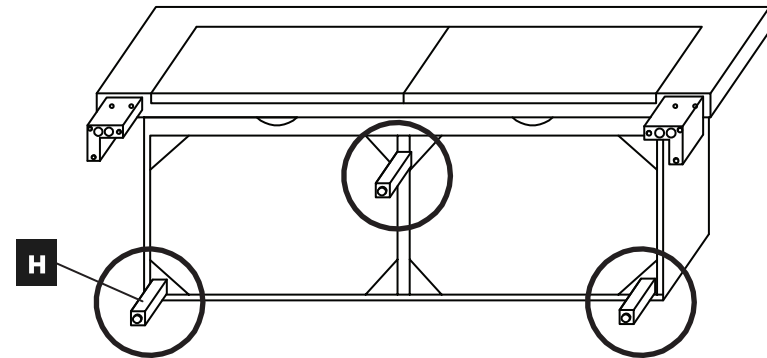
1

Attach the feet (E) to the bottom of the storage footboard (C) and headboard (A) by using the Allen key (4), bolts (1), spring washers (2), and flat washers (3).



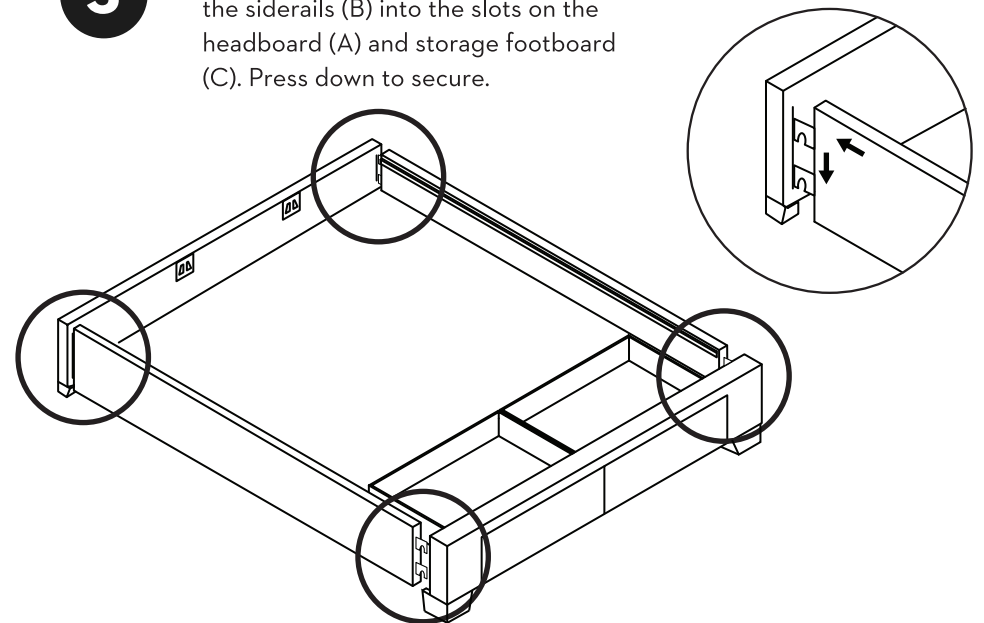
2

Attach the drawer support legs (H) to the bottom of the drawer section of the storage footboard (C).



3

Insert the metal hooks on the ends of the siderails (B) into the slots on the headboard (A) and storage footboard (C). Press down to secure.

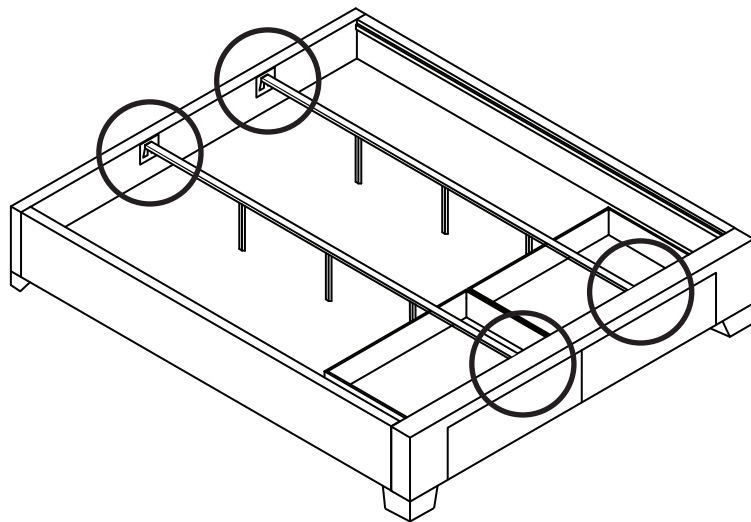
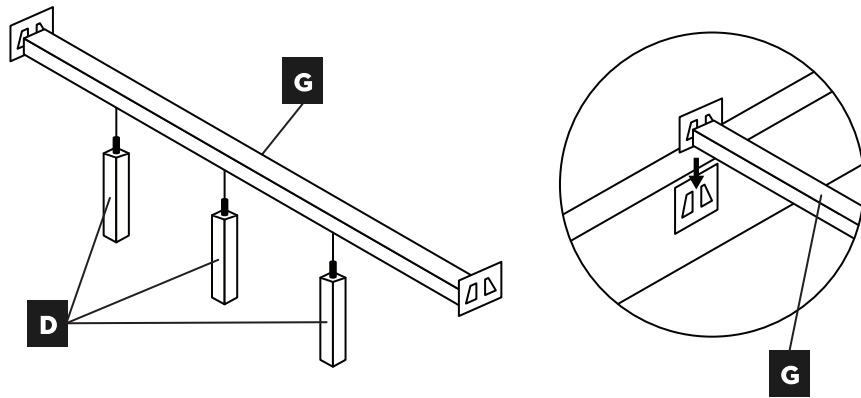


MALOUF® | DUNCAN BED FRAME ASSEMBLY (CAL KING, KING)

4

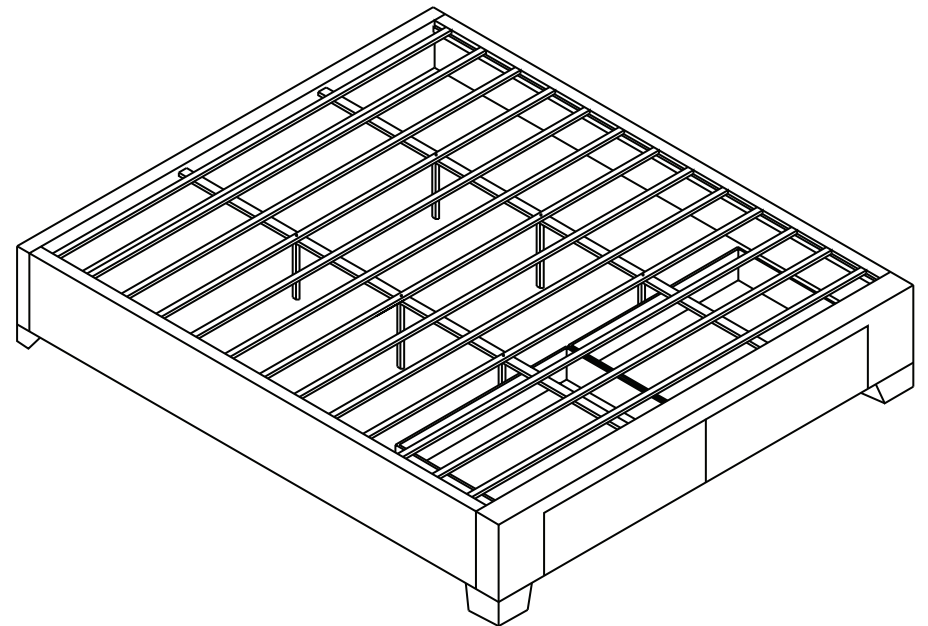
Secure the center support legs (D) to the bottom of the center support rail (G) by turning clockwise.

Attach the center support rail (G) to the headboard (A) and storage footboard (C) by pressing downward on the mounted brackets.



5

Place the slats (F) on top of the center support rail (G) and secure the black straps to the siderails (B) to complete assembly.



15-YEAR LIMITED WARRANTY

WHAT IS COVERED

This warranty covers any defects in materials or workmanship, with the exceptions stated below.

HOW LONG COVERAGE LASTS

This warranty runs for fifteen (15) years from the date of purchase.

WHAT IS NOT COVERED

The warranty applies only to the original purchaser and does not cover: (a) wear and tear; (b) improper maintenance, misuse, or alteration; (c) repair by unauthorized representatives; (d) damage resulting from transit or handling; or (e) transportation costs.

The foregoing warranty shall be exclusive and in lieu of any other warranty, express or implied, including warranties of merchantability and fitness for a particular purpose and all other warranties otherwise arising by operation of law, course of dealing, custom, trade, or otherwise. Neither the seller nor the manufacturer shall be liable for any injury, loss or damage, direct or consequential arising out of the use or inability to use this product.

WHAT MALOUF® WILL DO

MALOUF®, at its sole discretion, will repair, replace, or refund any product that proves to be defective in materials or workmanship.

HOW TO GET SERVICE

Email “warranty@maloufsleep.com” to submit your warranty claim. Please keep your receipt so that we may process your warranty request.

HOW STATE LAW APPLIES

This warranty gives you specific legal rights, and you may also have other rights which vary from state to state.