

# GVM

GREAT VIDEO MAKER



Facebook

Web: www.gvmltd.com



GVM  
GREAT VIDEO MAKER  
GVM-G169

## CONTENTS

Product introduction	Page 1
Product parameter	Page 2
Product structure analysis	Page 3
Installation method	Page 4
Function introduction&instruction	Page 5-11
User notice	Page 12-13
Disclaimers	Page 13
Packing list	Page 14

## PRODUCT INTRODUCTION

GVM-G169 is a new-released Monopod with Fluid Video Head specially designed for videographers and filmmakers by GVM.

The carbon fiber construction makes GVM-G169 lightweight, durable and easy to travel with when packed in the included carry bag. The 4-section design can meet users' different demands for height from 690mm / 27.2" to 1770mm / 69.7" under various shooting environments. Payload 10 kg / 22lbs and fast release plate provide compatibility and convenience for fast mounting and dismounting most cameras and camcorders on the market. The press-type button on the monopod makes converting vertical and tilted convenient. The damping force can be adjusted by rotating the damping and ball locking knob for a better shooting experience. The included quick-release plate with 1/4" and 3/8" screws makes camera changes and transport easy.

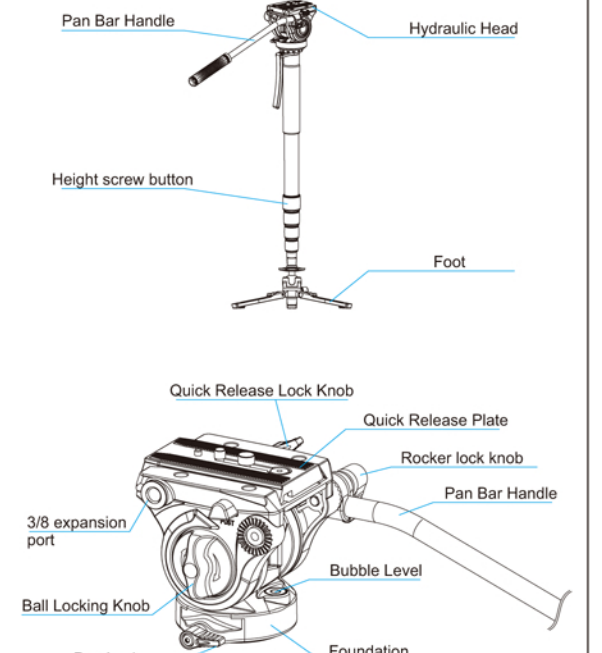
1

## PRODUCT PARAMETER

- ◆ Model: G169
- ◆ Weight: 1.7 kg / 3.75 lbs
- ◆ Leg Sections: 4
- ◆ Top Attachment: 1/4" screw, 3/8" screw
- ◆ Maximum Tube Diameter: 32.5mm / 1.28"
- ◆ Min Tube Diameter: 18.5mm / 0.73"
- ◆ Min Height: 690mm / 27.2"
- ◆ Maximum Height: 1770 mm / 69.7"
- ◆ Payload Weight: 10 kg / 22lbs
- ◆ Bubble Spirit Level: (No. 1)
- ◆ Upper Disc Diameter: 60 mm / 2.36"
- ◆ Front Tilt: +90°/-75°
- ◆ Head Type: Video/Fluid Head
- ◆ Leg Type: Single
- ◆ Leg Lock Type: Knock Lock
- ◆ Material: Carbon Fiber
- ◆ Maximum Working Temperature: 60°C / 140°F
- ◆ Minimum Working Temperature: -30°C / -22°F
- ◆ Pan Bar Included: Yes
- ◆ Panoramic Rotation 360°

2

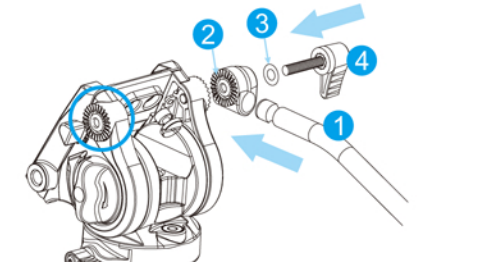
## PRODUCT STRUCTURE ANALYSIS



3

## INSTALLATION METHOD

First insert ① rocker arm into ②, then pass ③ through ④, insert ⑤ and pass through the groove of the rocker handle, install it on the left or right of the head according to individual needs, adjust to the appropriate angle and tighten ⑥, you can lock the rocker handle on the gimbal.

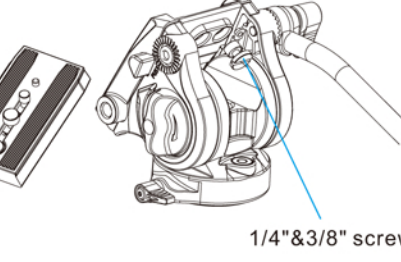


4

## FUNCTION INTRODUCTION & INSTRUCTION

### ① QR Plate

An included quick release plate makes camera changes and transport easy. Each QR plate comes with both a 1/4" & 3/8" screw for your convenience. The unused screw is stored on the unused screw is stored on the underside of the head.

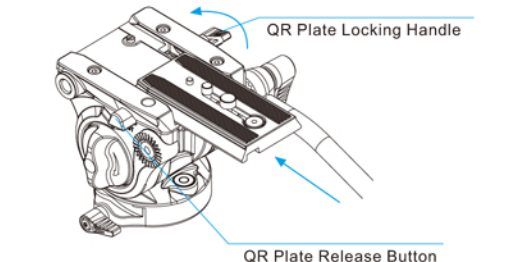


1/4" & 3/8" screw

5

### ② QR Plate Mounting and Safety Release

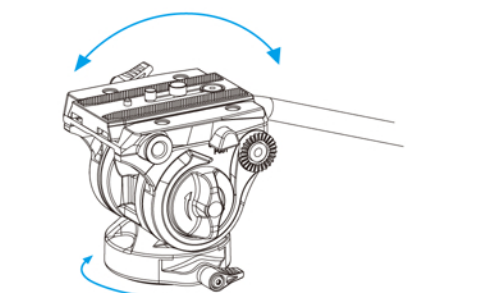
Loosen Quick Release Plate Lock Lever and press the QR Safety Button to allow of Camera using the Mounting Screw then slide back on to Head. Slide and position for best balance and tighten QR Plate Lock Lever.



6

### ③ Tilt adjustment & Pan adjustment

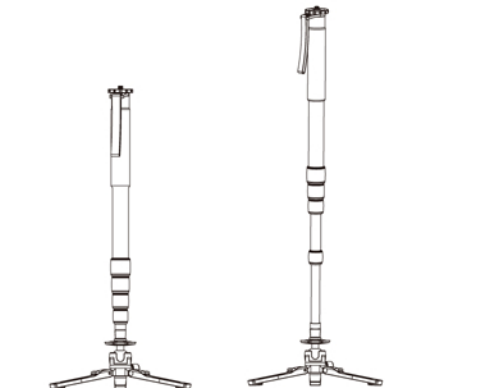
A side mounted knob adjusts the tension of the drag on front-rear. Tilt movements. Rotate to adjust with a camera mounted to find the most appropriate setting. A Pan Drag / Lock Lever provides both Drag and Locking control of horizontal head movement.



7

### ④ Leg Section Adjustment

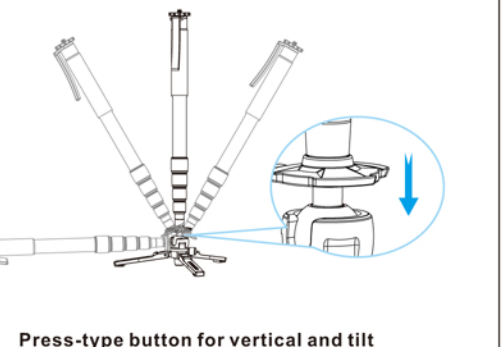
The monopod tube is with multi sections, that can be extended or shortened to adjust the height of monopod. After adjusting to a suitable height, tighten the spiral lock to fit it.



8

### ⑤ Support foot vertical and tilt adjustment

The monopod can be vertical and tilted by pressing the button. When the monopod is vertical, you can press the button to make it tilted for shooting conveniently. If you want to make the monopod vertical, press the button again.

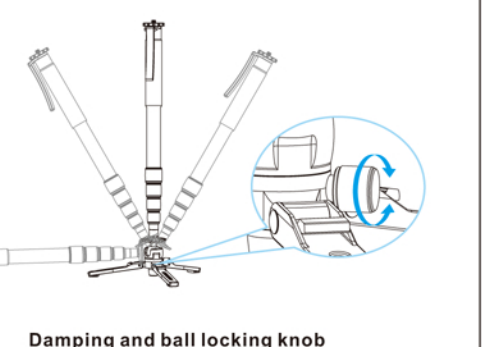


Press-type button for vertical and tilt

9

### ⑥ Support foot damping adjustment

When the monopod is vertical or tilted, the damping force can be adjusted by rotating the damping and ball locking knob for a better shooting feel.

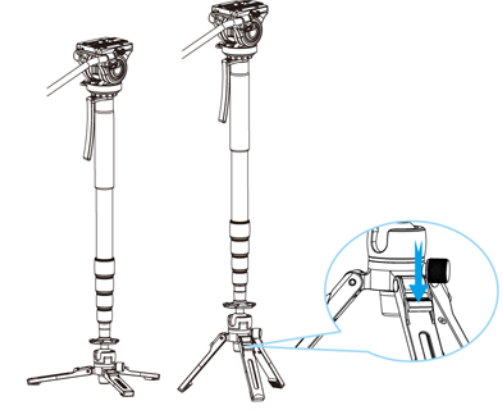


Damping and ball locking knob

10

### ⑦ Support foot angle adjustment

The support foot has two gear positions, which can be adjusted by pressing the button in order to adjust the supporting angles. It is convenient for different scenes shooting.



Press-type button for gear adjustment

11

## USER NOTICE

Thank you for choosing GVM. Please read this general instruction sheet before using, to avoid any accidental damage.

- Do not exceed the load capacity of this products, (see the specifications).
- Always ensure the locks and devices are in safety condition to avoid accidental damage of the camera and other equipment.
- Do not use the product at temperature less than -20°C or more than +70°C. It is not recommended to use in seawater.
- Avoid leaving the product in high temperature, e.g in the sun for long time or in a car near the car window for hours.
- Ensure keeping the product out of reach of children when working at the public place in case any accidental hurt. Use it carefully in dangerous place.
- Do not scrub the spirit-level, the precision could be lost temporarily.

12

## DISCLAIMERS

- Before using this product, please read the instructions carefully and make sure you use the product correctly. If you don't obey the instructions and warnings, you may cause harm to yourself and the people around, or even damage the product and other things around.
- Once you use the product, it means you have already read the disclaimer and the warnings carefully, understanding and agreeing with all the items, and promise to take responsibility of any consequences of using the product.

13

## PACKING LIST

Name	Quantity	Notes
GVM Carbon fiber 4-Section Monopod w/ Fluid Video Head	1	
Pan Bar	1	
Hexagon Wrench	1	
Carry Bag	1	
Instructions	1	

14