

Product Introduction

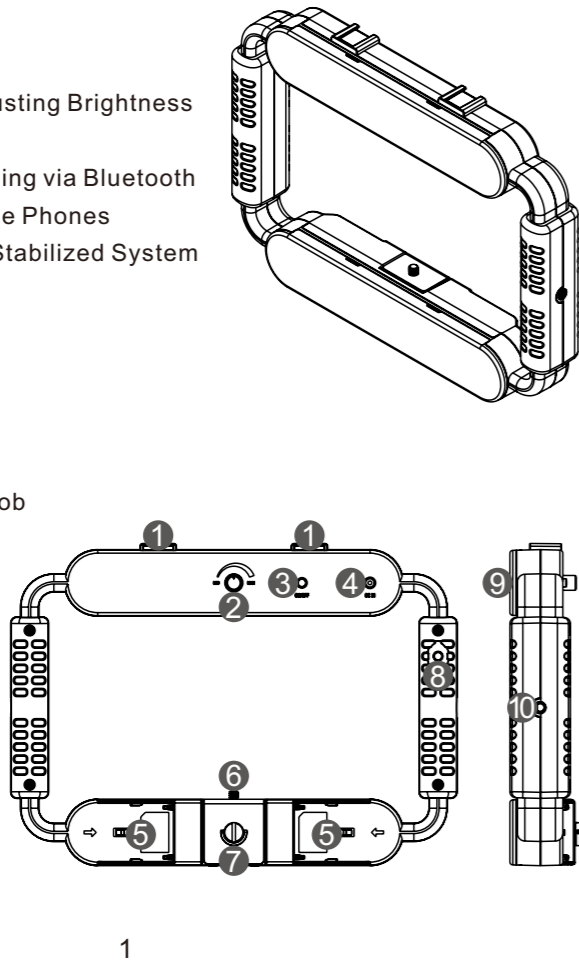
The GVM-TL10S is an ideal choice for photography, interviews and live streams that require light colors with optimal precision, accuracy, and flicker-free output. The GVM-TL10S is made of 200 pcs high brightness LED beads which with over 97 CRI value and temperature 52600K. It offers dual power solutions - can be powered either via power adapter or for location shoots you can mount lithium-ion battery. It features a stepless rear dimming dial for adjusting the light output from 0 to 99%. Stabilized system, supporting mobile photographing via Bluetooth, coming with diffusers, compatible with various cameras or mobile phones, help to improve your light setting experience.

Main Features

- Stepless Dimming Dial for Adjusting Brightness
- Dual Power Solutions
- Supporting Mobile Photographing via Bluetooth
- Compatible with Multiple Mobile Phones
- Convenient Light Setting and Stabilized System

Overview

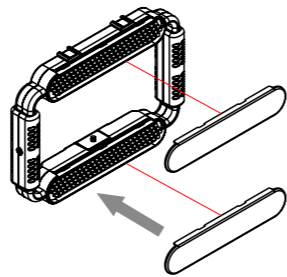
- 1 Cold Shoe Mount
- 2 Brightness Adjustment Knob
- 3 Power Switch
- 4 DC Power input
- 5 Battery Slot
- 6 1/4 Screw Hole
- 7 1/4 Screw Hole
- 8 Bluetooth Photographing Button
- 9 Diffuser
- 10 1/4 Screw Hole



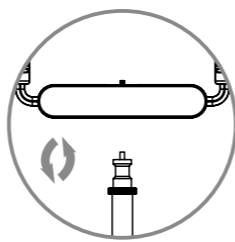
1

Assembling

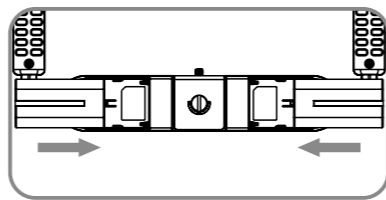
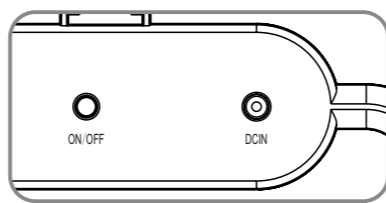
- 1 Install the diffuser as below picture.



- 2 Rotate clockwise to assemble the light onto the stand and rotate counter-clockwise to disassemble it.

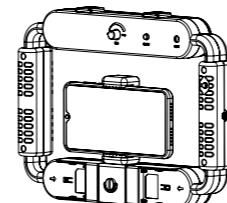
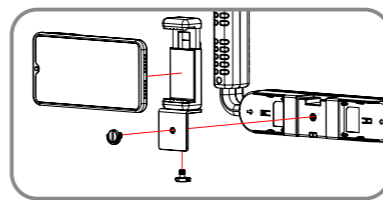


- 3 Put the power cable into the power input interface or insert the battery to the battery slot, press ON/OFF button to power on or power off. (Single or dual battery both work.)

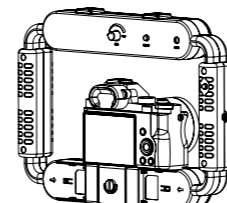
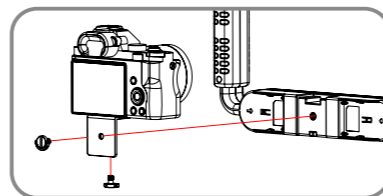


2

- 4 Fix your camera or your mobile phone via 1/4 camera screw and the stand.

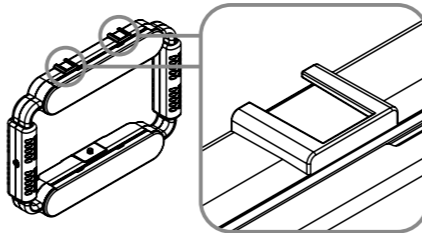


Mobile Phone Installation Diagram

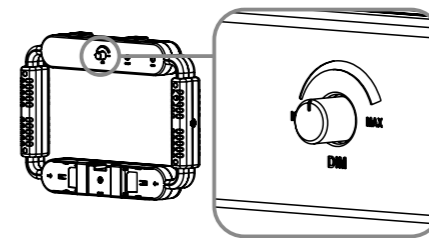


Camera Installation Diagram

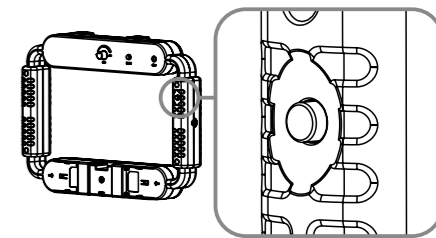
- 5 The two cold shoe mounts are compatible with various cameras.



- 6 The knob is designed to control the brightness.

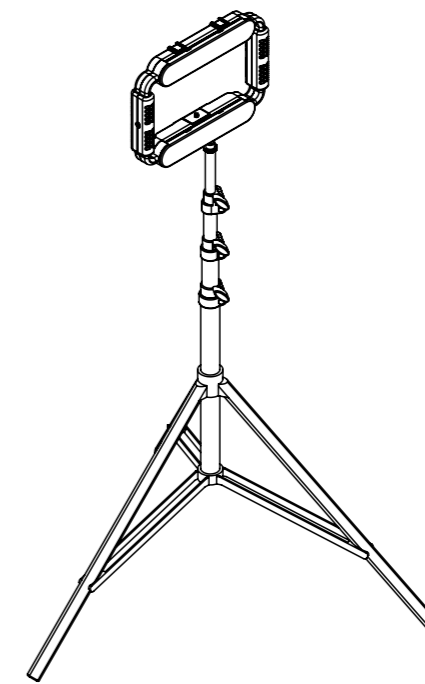


- 7 Open the Bluetooth on the mobile phone and connect it to GVM-HL. You can take photos with the mobile phone via the Bluetooth Photographing Button.

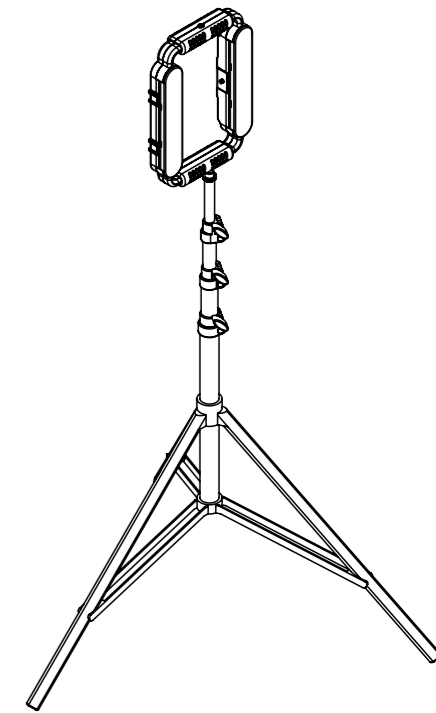


Multiple Usage Mode

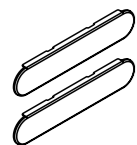
Align the stand with the stand assembling hole, rotate the stand locking button. You can adjust the direction needed according to the working environment.



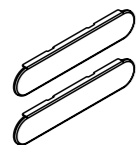
3



Accessories



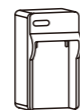
White Diffuser×2



Orange Diffuser×2



Lithium-Ion Battery×1



Battery Charger×1

产品参数

Model	LED Beam	CRI	Beam Angle	Color Temperature	Voltage	Power	Size
GVM-TL 10S	200	97+	45°	5600K	DC 9V	12W	295*209*43mm

Attention

1. Do not look at the light directly when it is on.
2. Do not cover light when it is on, or it will prevent the light from cooling down and damage it.
3. Do not place the light around flammable items such as alcohol, gasoline or near volatile solvent.
4. Do not place any liquid on the light or fall it into the light.
5. Power the light off if you don't use it in case of a fire.
6. Move the light carefully to prevent dropping it down.

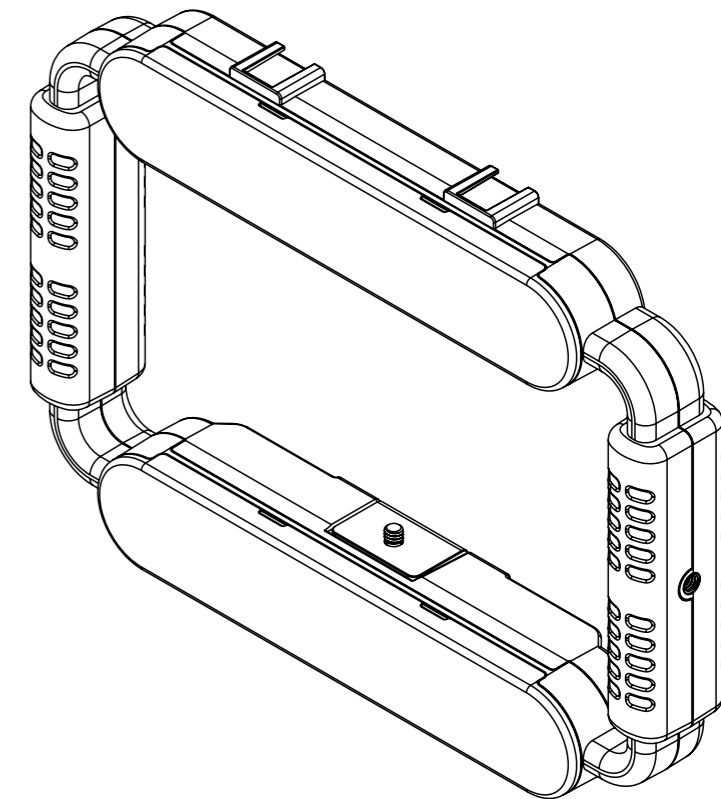
GVM

Great Video Maker

Add: 338 N Canal St, #20, South San Francisco, CA94080, USA
Web: www.gvmlcd.com
Email: gvmlcdservice@hotmail.com

GVM

Great Video Maker



GVM-TL 10S

Product Manual