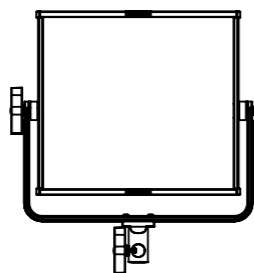


■ Product Introduction

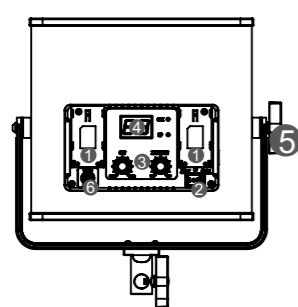
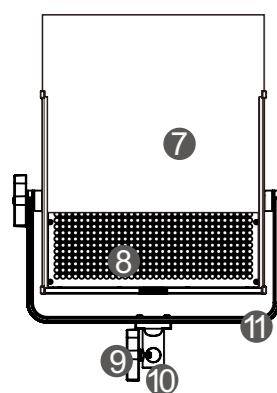
The GVM digital display panel series is a range of professional photography video LED lights that have two versions: GVM-520LD and GVM-520LS. GVM-520LD/S is made of 520 LED beads. GVM-520LD support you to adjust brightness. GVM-520LS support you to adjust brightness and color temperature at the same time. The GVM digital display panel series has an exceptional color rendering index of 97+ and lights consistently. Meanwhile, the dual power system, digital display and 360° rotation U bracket improve your light setup and stabilization system.

■ Main Features

- Ultra Heat Dissipation
- Delicate Design with Aviation Aluminum Alloy housing
- High Color Rendering Index, CRI97+
- PWM Dimming Technology
- Digital Display
- Brightness and Color Temperature Adjustment
- Dual Power System
- Convenient Light Set-Up and Stabilization System



■ Over View

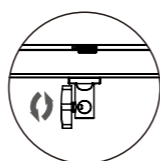


- ① Battery plate
- ② Power switch
- ③ Brightness and Color temperature adjustment wheel
- ④ Digital Display
- ⑤ U bracket adjusting knob
- ⑥ DC power interface
- ⑦ Soft diffusion
- ⑧ LED bead
- ⑨ Light stand locking knob
- ⑩ Hole for light stand installation
- ⑪ U bracket

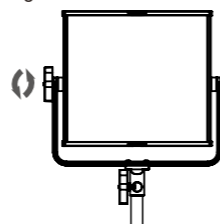
1

■ Using The Light

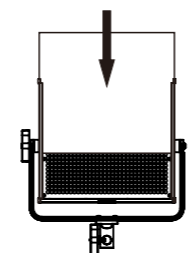
- 1 Insert the Panel on the light stand by rotating clockwise, counterclockwise to uninstall it.
- 2 Loosen the U bracket adjusting knob, adjust the angle of the panel which you need, then tighten the U bracket adjusting knob.
- 3 Insert the soft diffusion into the light panel sides. Fixed by diffusion brake and screw.
- 4 Rotate the brightness/color temperature adjustment wheel clockwise to increase your brightness and color temperature.
- 5 Insert the DC adapter/ Put on the battery. Turn on the power switch.



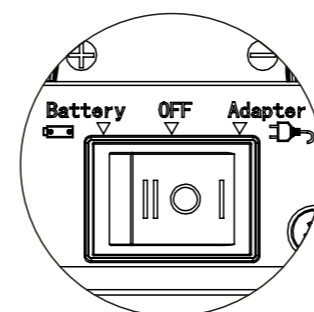
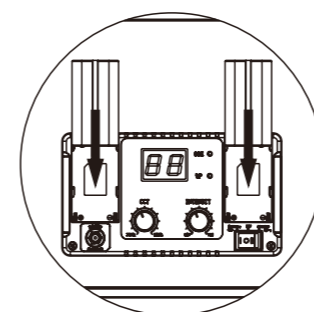
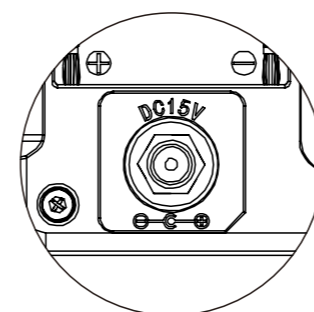
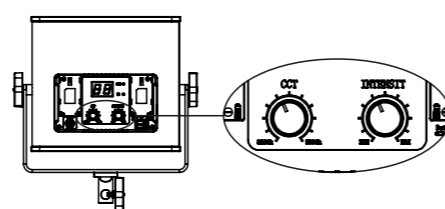
- 2



- 3



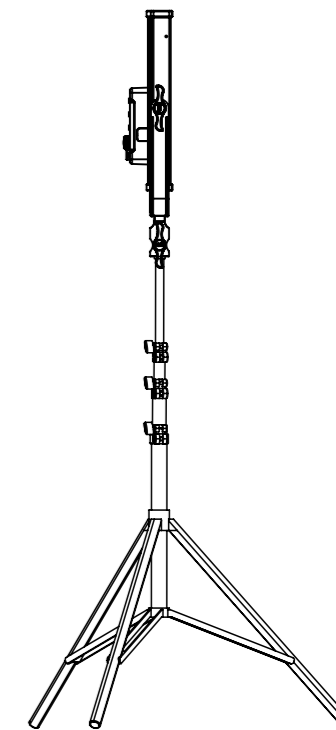
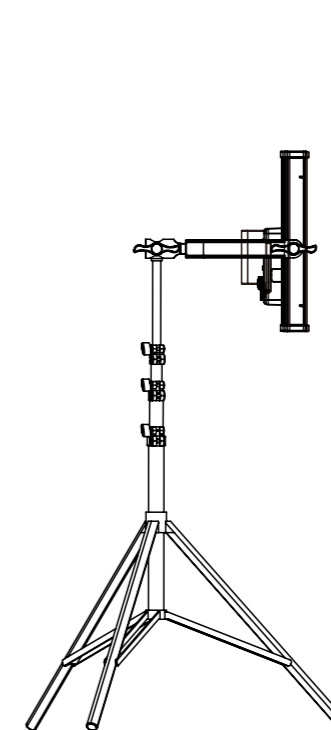
- 4



2

■ Mounting the light to light stand

Align the light stand installation hole to the light stand, rotate the light stand locking knob. You can choose the light stand installation direction according to your operating environment need.

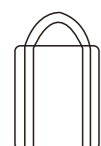


■ Specifications

Model	LED Bead	CRI	LED angle	Voltage	Color Temperature	Power Consumption	Size
GVM-520LD GVM-520LS	520	97+	45°	DC15V	5600(±50) 3200-5600	30W	323*341*80mm

3

■ Accessories



Carry Bag



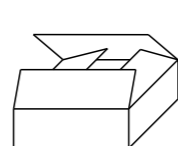
Power Line



Power Adapter



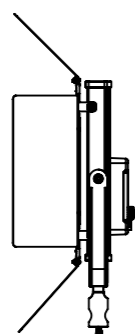
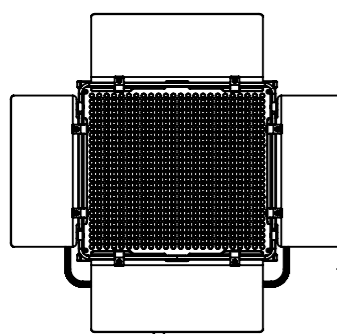
Soft Diffusion



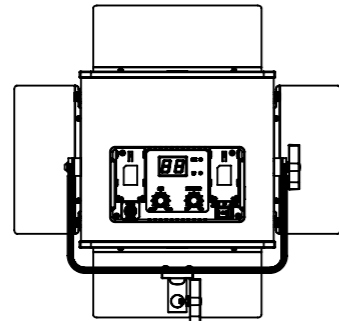
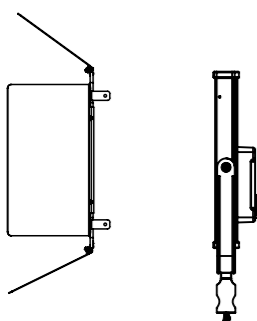
Packing Box

■ Other purchase accessories

1. Barndoor: can purchase a set of foldable barndoor to control the angle of brightness.

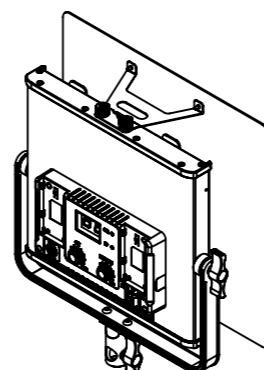
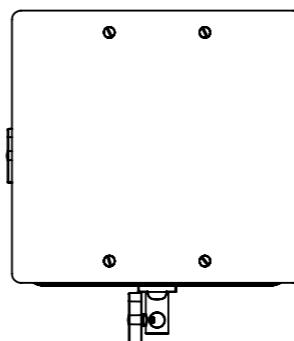


Mounting the barndoor: align the barndoor mounting holes to the light panel screw holes, use the screws to locking the barndoor.

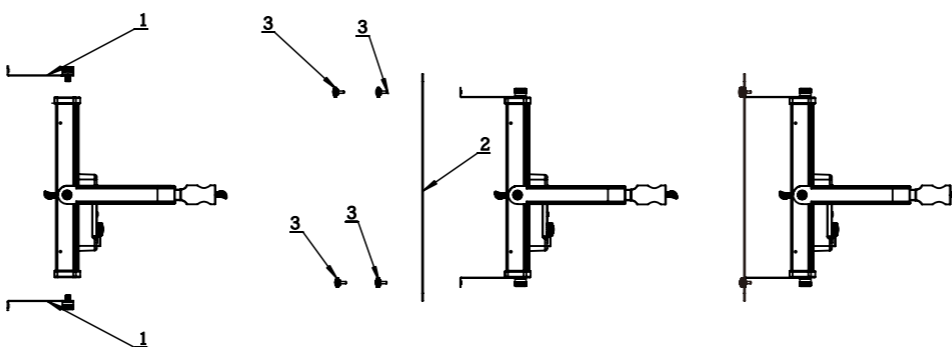


4

2. Enhanced soft diffusion: if you want to make the brightness to be softer, you can other purchase this accessory.



Mounting the enhanced soft diffusion: mount the diffusion support frame to the light panel, align the diffusion to the screw holes and use the screws to lock the diffusion.



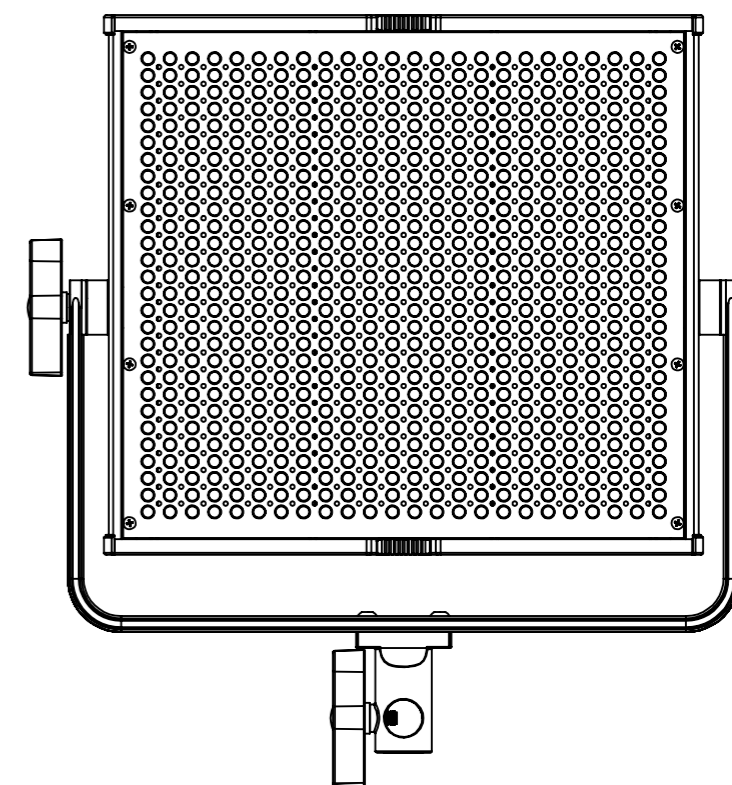
Attention

1. Do not look at the light directly when it is on.
2. Do not cover light when it is on, or it will prevent the light from cooling down and damage it.
3. Do not place the light around flammable items such as alcohol, gasoline or near volatile solvent.
4. Do not place any liquid on the light or fall into the light.
5. Power the light off if you don't use it in case of a fire.
6. Move the light carefully to prevent dropping it down.

Add: 338 N Canal St, #20, South San Francisco, CA94080, USA
Web: www.gvmlcd.com
Email: support@gvmlcd.com

5

GVM
GREAT VIDEO MAKER



GVM-520LD / GVM-520LS

Product Manual