

## **Before You Begin**

- Read & understand all instructions before beginning.
- This install process requires 2 people to complete.
- Make sure you use proper PPE; Steel-toe footwear, work gloves, ear protection, eye protection, Face shield.
- Ensure your tools are in good working condition.
- Inspect your container to ensure it is a good candidate for this modification. Ensure it is intact and free of any damage, deformation, and excessive rust.
- Ensure your container is level and secure and will not shift during the installation process.
- Ensure the area around your container is free of any debris, hazards, and obstructions.

## **What You Will Need**

- PPE (Steel-toe footwear, work gloves, ear protection, eye protection, face shield.)
- Angle Grinder & Cutting Disc
- Power Drill & 3/16 Drill Bit
- Caulking Gun & Outdoor Silicone Sealant
- Rivet Gun (optional)
- Top Bulb Seal
- Step Ladder
- $\frac{3}{8}$  Nut Driver or Socket

## **Installation**

### **Step 1**

Determine where on the container wall the man-door will be installed.

Measure and mark the area to cut out of the corrugation (fig.1)

NOTE: The cutout MUST be centered on an outer corrugation

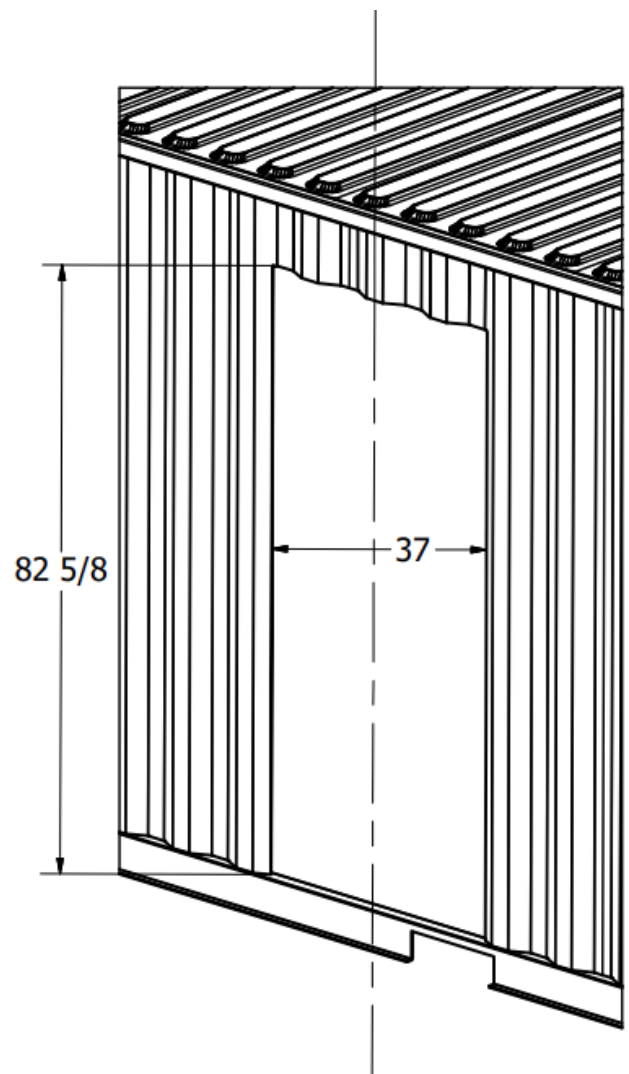


Figure 1 - Rough Opening For ManDoor

### Step 2

Using an angle grinder with a cutting disc, carefully begin cutting the opening. First, cut along the bottom - leave 1 inch connected at 2 of the outer corrugations. Then, cut the sides of the opening - stop 1 inch before the top of the marked opening. Then, cut the top of the opening. Before proceeding further, make sure the area around the cutout is clear. From inside the container, finish cutting the sides and let the cutout fall out of the container. Then, from the inside of the container, finish cutting the bottom. Remove the cutout metal and dispose.

### Step 3 (optional)

Apply bulb seal (if requested) to the top cut edge of the cut opening. Apply any edge trim to the sides of the cut opening (edge trim not provided). Apply a bead of caulking at the bottom of the cutout along the profile of the corrugation.

### Step 3.5

Apply caulking on the bottom of the cut out where the door footer will sit (to prevent bugs from getting in under the door frame).

### Step 4

Carefully fit the assembled door frame into the cut opening, ensuring it is centered in the opening. The top of the rain drip at the top of the frame should be inside the container, and the side flanges of the frame should be on the outside, each up against an outer corrugation. (fig. 2, fig. 3)  
Ensure the door frame is straight and square in the opening.

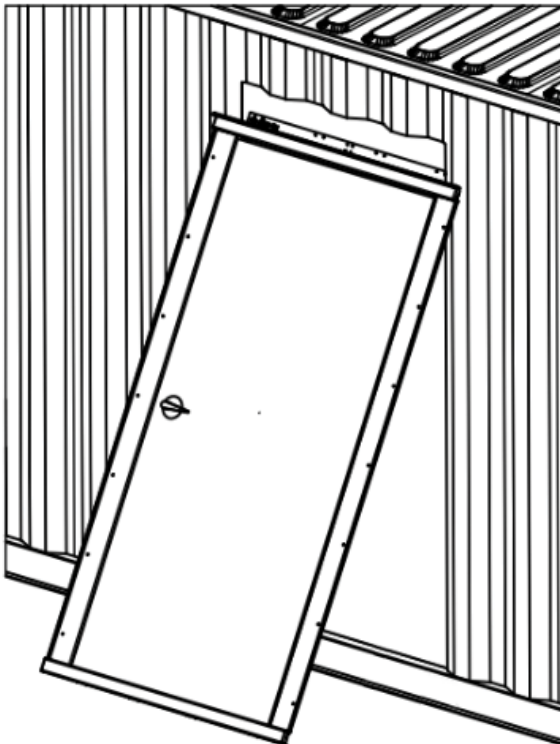


Figure 2 - Fitting the door frame in the cutout

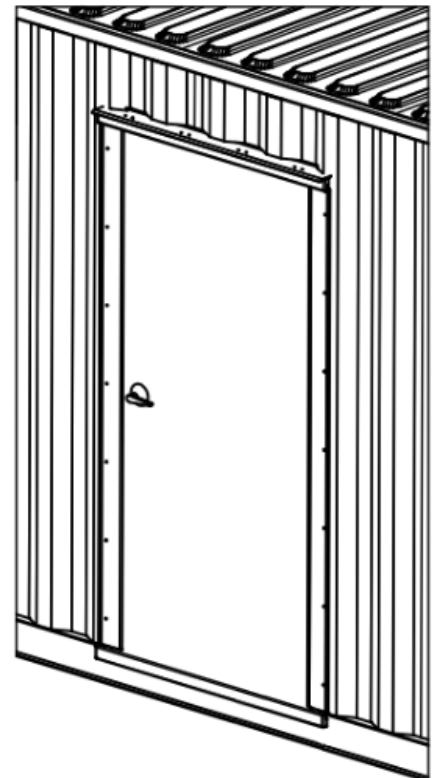


Figure 3 - Man-door & frame in place

**Step 5**

Using a power drill & drill bit, from outside the container, drill through the outer container corrugation where there are holes on the side flanges of the door frame (fig. 4).

**Step 6**

Using a rivet gun, apply rivets (provided) where holes were drilled in the previous step, fastening the frame sides, to the container wall. (fig. 5)

Optionally, self-tapping screws may be used with a power drill instead of rivets.

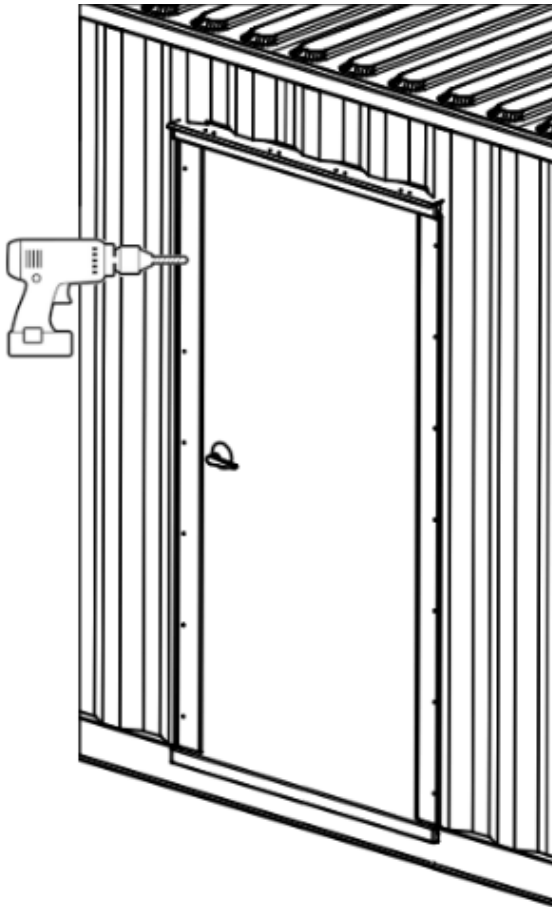


Figure 4 - Drilling holes through the container

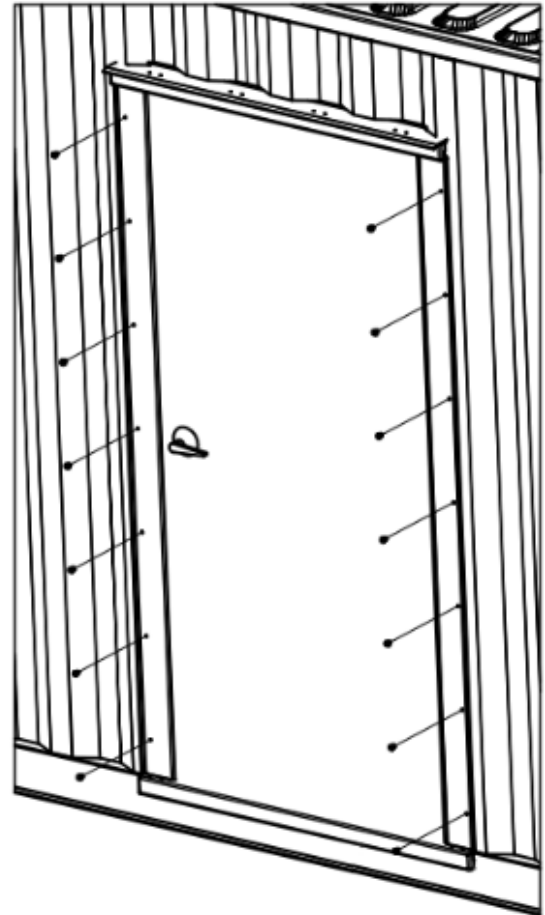


Figure 5 - Fastening the frame to the container

**Step 7**

Inside the container, drill through the container wall where there are holes on the rain-drip at the top of the frame, and fasten the rain drip header to the container wall.

**Step 8**

Using a caulking gun, apply silicone all around where the door frame meets the exterior wall of the container ensuring a good seal. (Fig. 9)

Inside the container, apply silicone over the fasteners from the side flanges, ensuring a good seal of those penetrations. Outside the the container, apply silicone over the fasteners from the rain-drip, ensuring a good seal of those penetrations.

**Step 9**

Install door handle & lock hardware according to the instructions provided with that hardware.

**Step 10**

Check that the door frame is secured and square in the opening, and that the door operates normally.

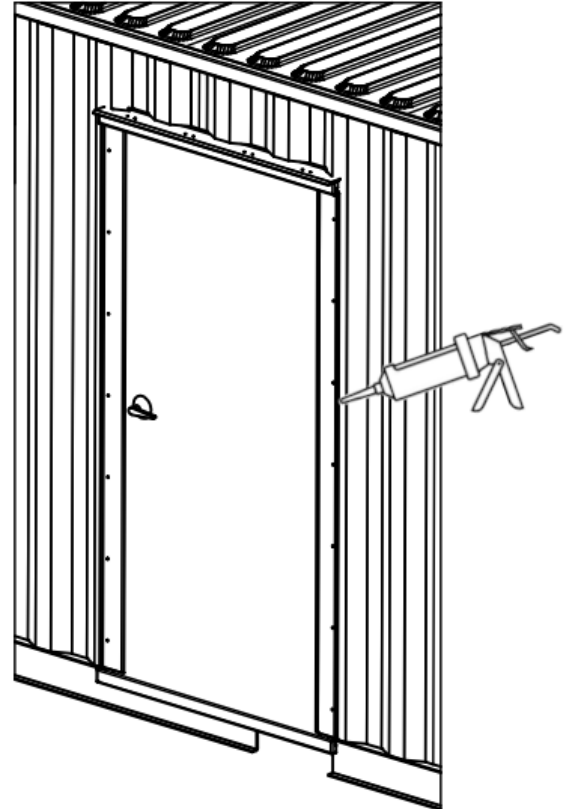


Figure 9 - Seal the door with silicone

**Additional Information**

An in-depth installation video can be viewed by scanning the code below with your phone's camera. Visit [containermodificationworld.com](http://containermodificationworld.com) for more resources and product catalogs.

