

# CMW Window Frame Installation Instructions

## Before You Begin

- Make sure you use proper PPE; steel-toed footwear, work gloves, hearing protection, and eye protection.
- Ensure your tools are in good working condition.
- Read & understand all instructions before beginning.

## What you will need

- Rivets
- Saw or angle grinder
- Cutting disc
- Drill
- 3/16" drill bit
- Silicone sealant
- Marking tool (sharpie)

## What is included

- Window frame components
- 58 rivets for 48" window and 54 Rivets for 42" window

## Installation

Before starting the process of installation please take a note that :

- CMW window frames are corrugation dependent. The 42" window frames can only be installed on **side wall** corrugations and the 48" window frames can only be installed on **end wall** corrugations.
- Other than the difference in wall placement and rough opening size the installation of these two frames are the same.

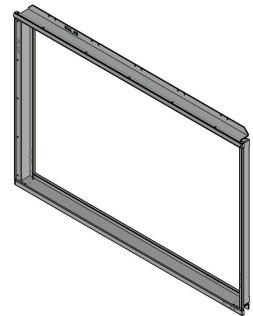


Figure 1 - 48" Window Frame

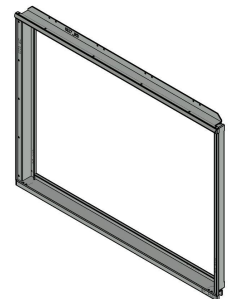


Figure 2 - 42" Window Frame



**Step 1**

Assemble the window frame with the help of our youtube video:

<https://youtu.be/JQFoZuDCIHQ>

**Step 2**

Mark the center of the window opening. Mark on the center of an outside corrugation for 42" windows or the center of an inside corrugation for 48" windows.

Mark the rough opening (R.O.) using the window cutout cap as a measuring tool. This piece will give you the R.O. dimensions and window height. (fig. 3)

The sides of the rough opening should land on exterior corrugations. Once the size and placement of the outline are correct, cut the opening out of the container. (fig. 4)

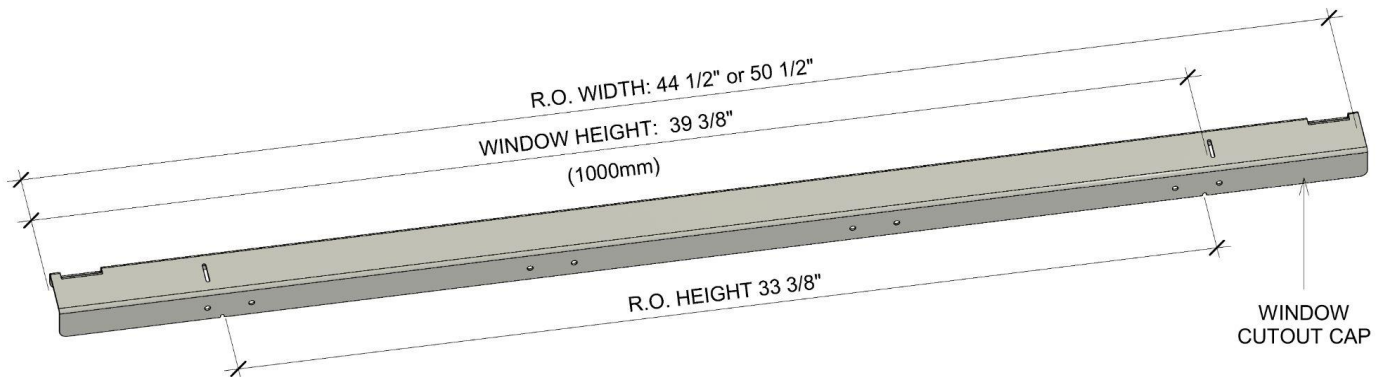


Figure 3 - Window Cutout Cap

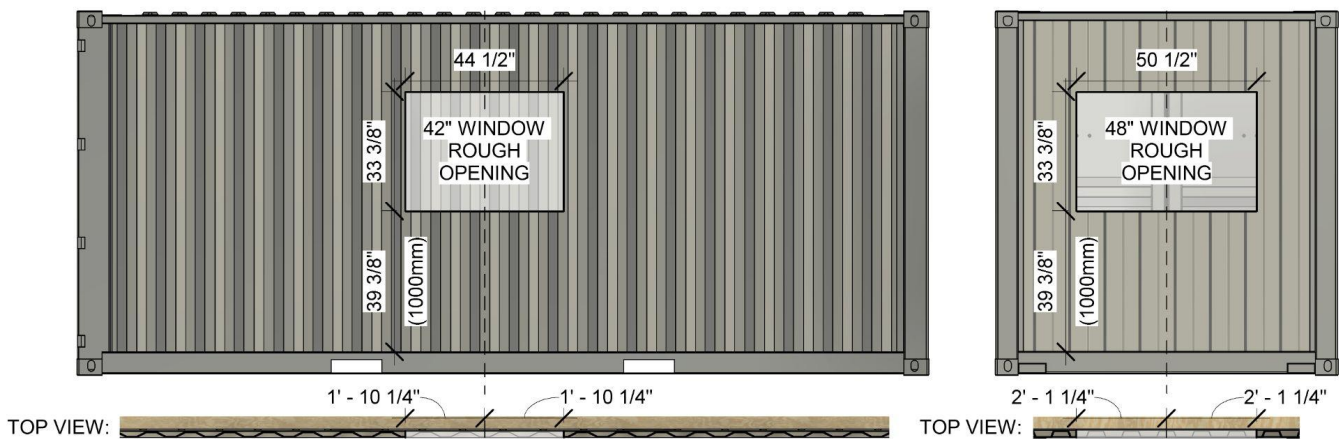


Figure 4 - Window Rough Openings

**Step 3**

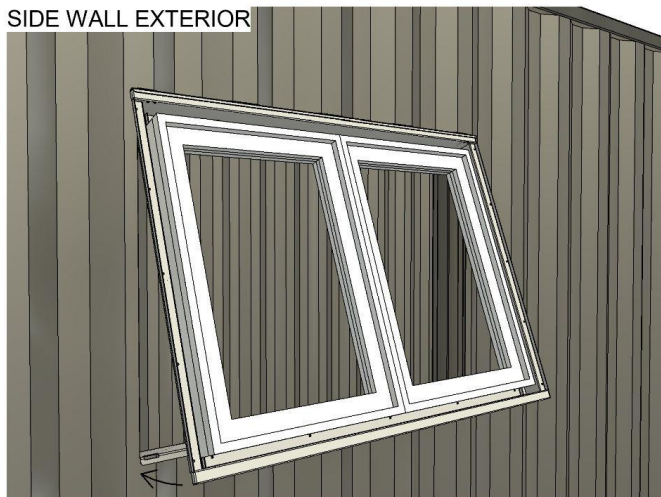
Place the window cutout cap over the bottom of the rough opening. (fig. 5)



Figure 5 - Window Cutout Cap

**Step 4**

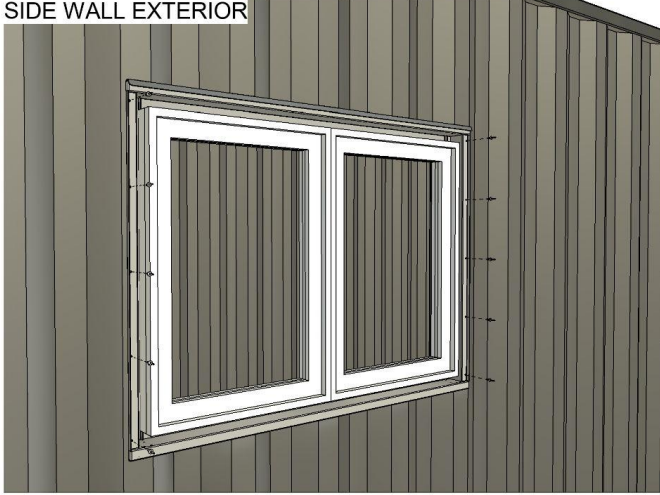
Place the top edge of the assembled window into the opening and hook the back flange of the rain drip behind the corrugation. Push the frame upwards and then slide the bottom edge of the window onto the cutout cap. (fig. 6)



**Step 5**

Fasten the sides of the window frame to the container with rivets from the exterior. (fig. 7)

SIDE WALL EXTERIOR



END WALL EXTERIOR



*Figure 7 - Window Assembly Installation*

**Step 6**

Fasten the rain drip to the container with rivets from the interior. (fig. 8)

SIDE WALL INTERIOR



END WALL INTERIOR



*Figure 8 - Rain Drip Installation*

Step 7

Fasten the window cutout cap to the container with rivets from the interior. (fig. 9)



Figure 9 - Window Cutout Cap Installation

YouTube Video

