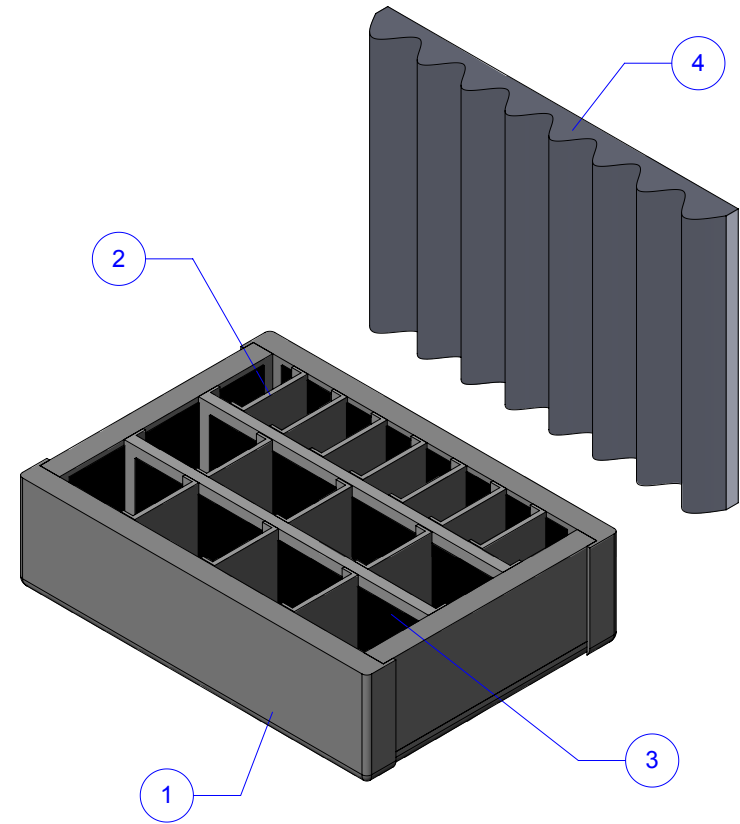
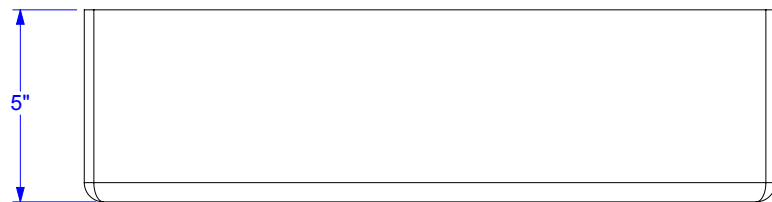
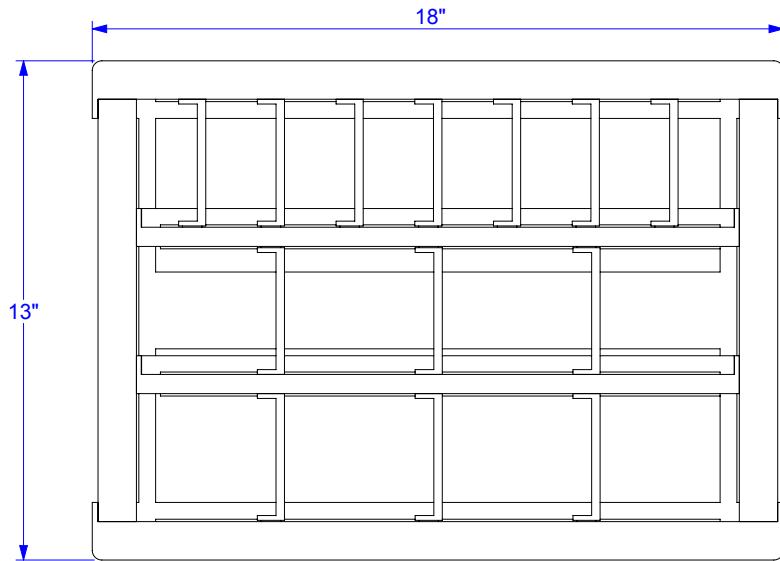
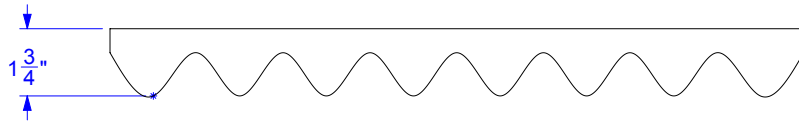
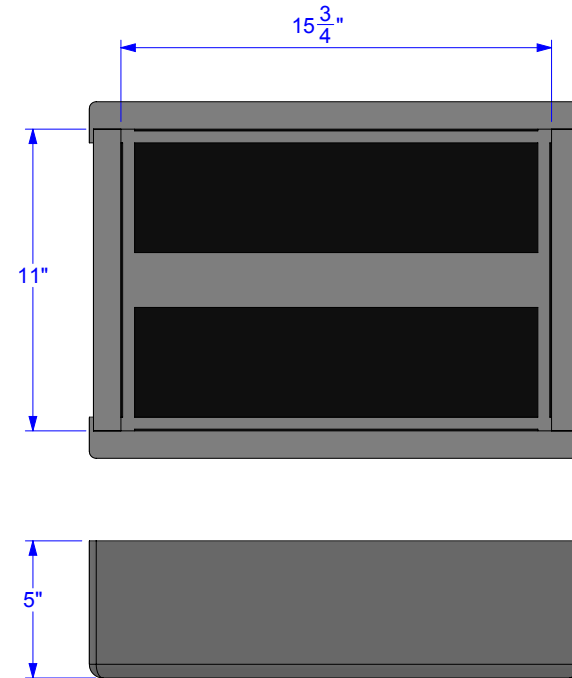
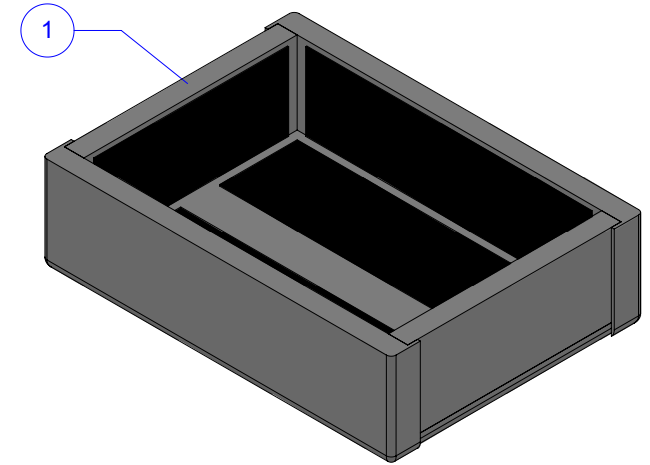
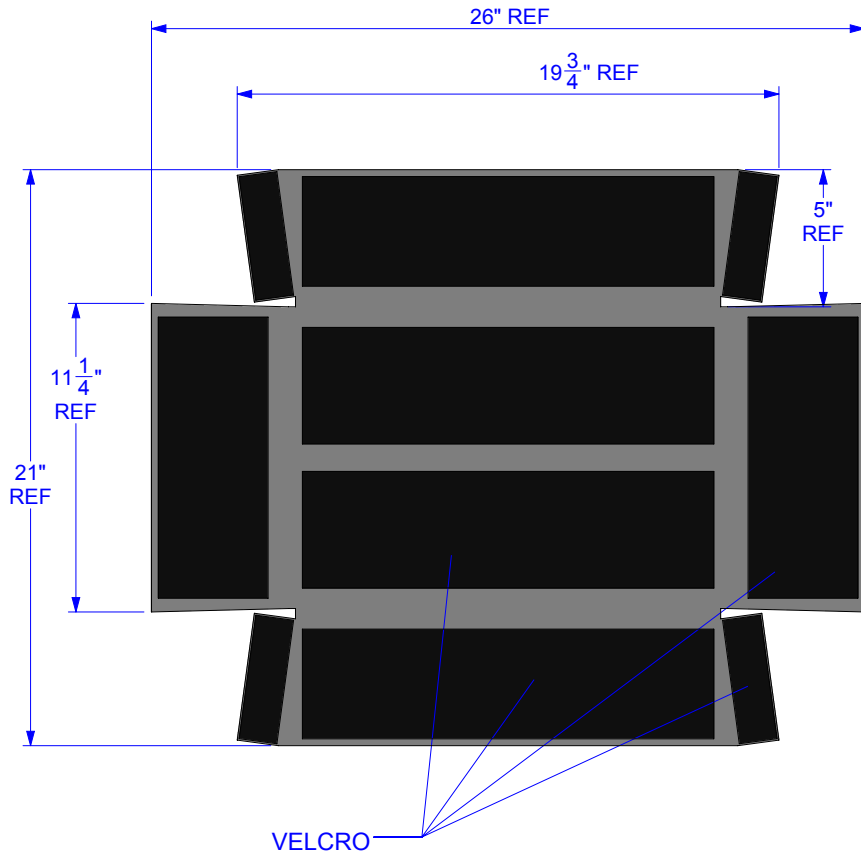


| ITEM | DESCRIPTION | QTY. |
|------|---------------------------------------|------|
| 1 | 930_PADDED DIVIDER CONTOUR | 1 |
| 2 | 930_PADDED DIVIDER 3.5" X 0.3" X 3.3" | 13 |
| 3 | 930_PADDED DIVIDER 4" X 0.5" X 15.7" | 2 |
| 4 | 930_CONVOLUTED FOAM | 1 |

CONVOLUTED FOAM

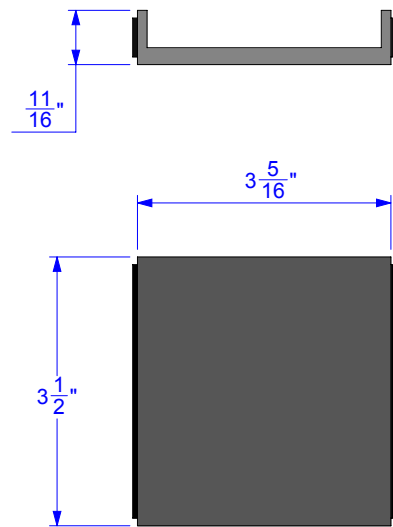


| REV. | DESCRIPTION | DATE | INITIALS |
|-----------|-------------|------|----------|
| REVISIONS | | | |

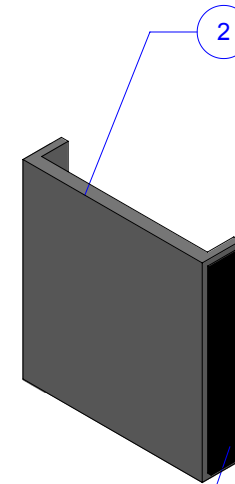


930_PADDED DIVIDER CONTOUR

FOAM DENSITY MAY VARY. DIMENSIONS ARE IN INCHES UNLESS OTHERWISE SPECIFIED

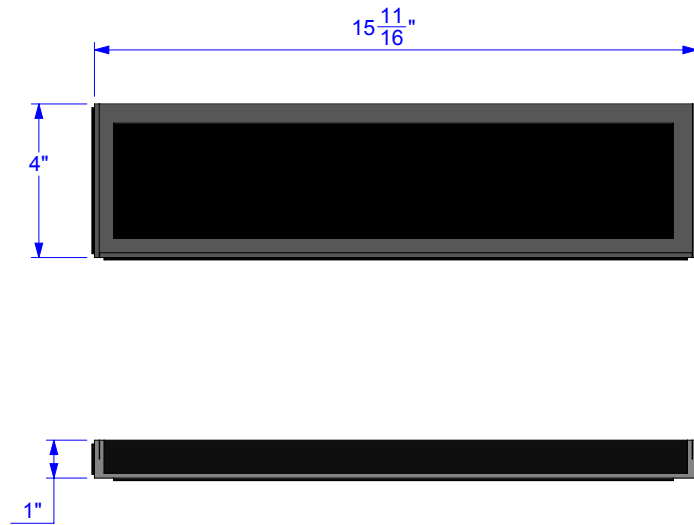


930_PADDED DIVIDER 3.5" X 0.3" X 3.3"

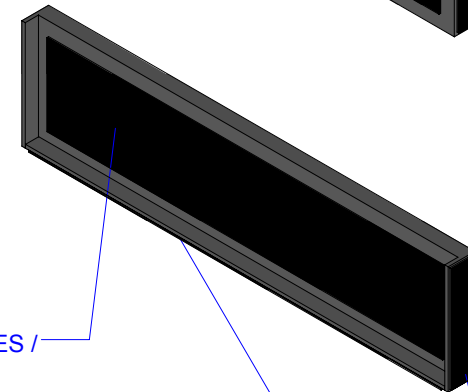
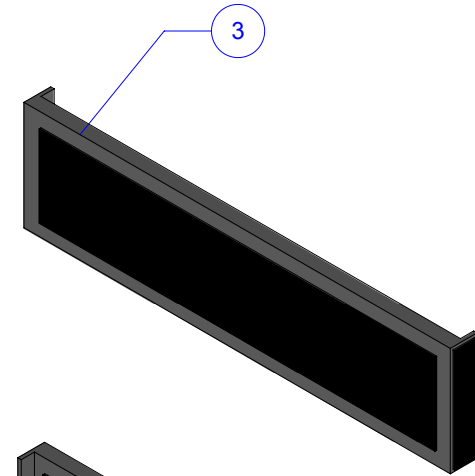


VELCRO ON BOTH ENDS /
 VELCRO SUR LES
 DEUX EXTREMITES

FOAM DENSITY MAY VARY.
 DIMENSIONS ARE IN INCHES UNLESS OTHERWISE SPECIFIED



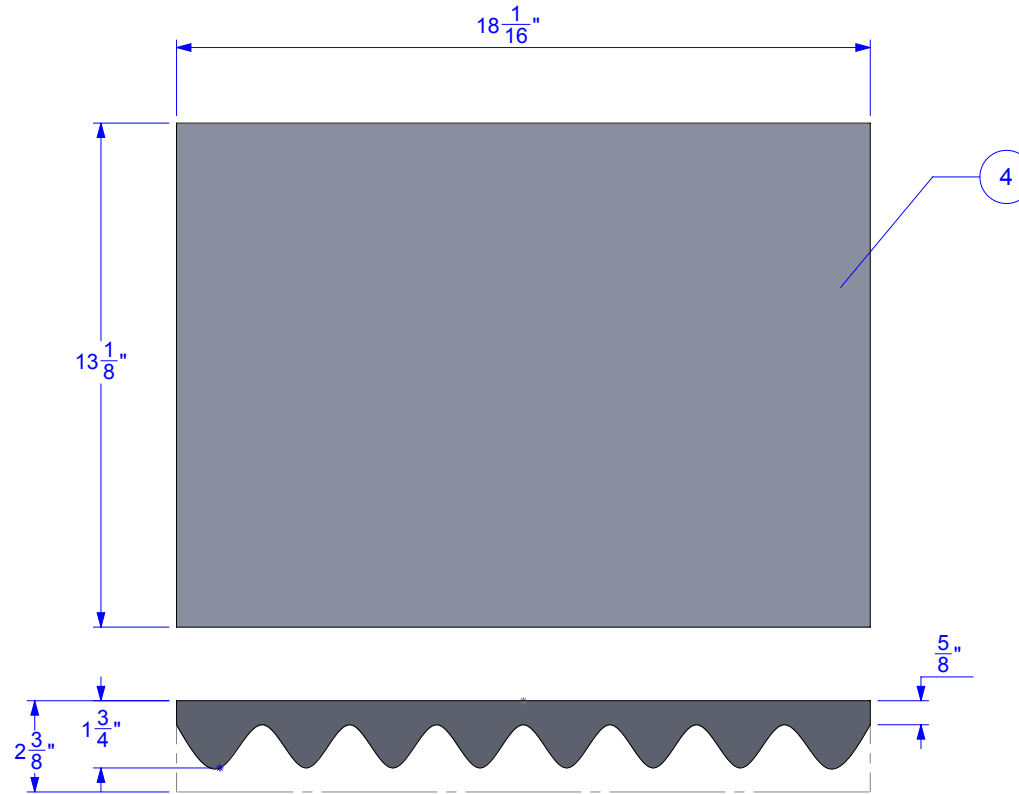
930_PADDED DIVIDER 4" X 0.5" X 15.7"



VELCRO ON BOTH SIDES /
 VELCRO SUR LES
 DEUX COTES

VELCRO ON THE BOTTOM /
 VELCRO EN DESSOUS

VELCRO ON BOTH ENDS /
 VELCRO SUR LES
 DEUX EXTREMITES



930_CONVOLUTED FOAM

PUF P150-55 BLK 2 3/8" THICK 5/8" BASE
 MATERIAL