



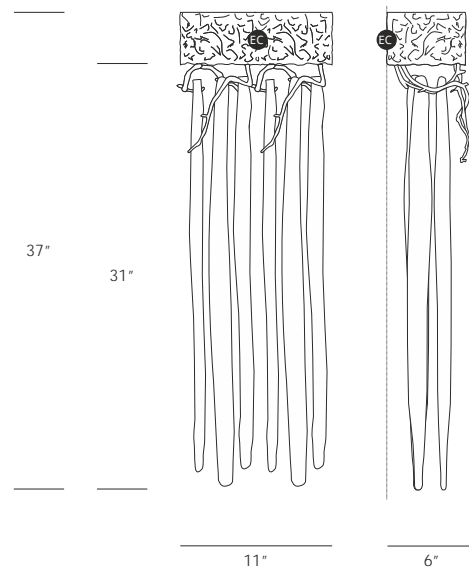
WATERFALL DOUBLE SCENCE

CODE
AP1443-2

DIMENSIONS
11" w x 6" d x 37" h

WEIGHT
20lbs

ELECTRICAL
2 x GU10 - 50w each - 100w total
2 x \pm 350lm each - \pm 700 lumens total
Dimmable by Phase-dimming



EC Electrical Connection

DISTRIBUTED BY COLLECTIVE FORM

8655 Holloway Plaza Drive. West Hollywood, CA 90069 | 323.739.5462 | www.seripamerica.com

WATERFALL COLLECTION

Glass Colors

									
04	06	10	14	15	16	17	18	20	21
									
22	23	24	25	26	27	28	29	32	33
									
34	39	41	42	43	44	45			

- 04 - Honey
- 06 - Bright Gold
- 10 - Clear
- 13 - Yellow
- 14 - Black
- 15 - Purple
- 16 - Brown
- 17 - Opal
- 18 - Pistachio
- 20 - Beije
- 21 - Ochre
- 22 - Ruby
- 23 - Venturini
- 24 - Lind Green
- 25 - Venturini Green
- 26 - Red Wine
- 27 - Flamingo
- 28 - Lilac
- 29 - Aubergine
- 32 - Lind Water
- 33 - Turquoise
- 34 - Smoked
- 39 - Blue Sea
- 41 - Grey
- 42 - Dark Blue
- 43 - Gold
- 44 - Silver
- 45 - Cherry

Metal Finishes

				
FO	FO/PB	FP	FP/PB	CO
				
CH	PL	PR	RO	TA

- FO - Antique Gold (with Brown Patina)
- FO/PB - Bright Gold (with White Patina)
- FP - Antique Silver (Brown Patina Undercoat)
- FP/PB - Bright Silver (White Patina Undercoat)
- CO - Copper
- CH - Lead
- PL - Palladium
- PR - Black
- RO - Rose Gold
- TA - Talha (Brown with randomly applied gold leaf and with a clear coat finish)

All the glass models are design by Serip, they are unique and exclusively handmade produced for them. For this reason, there is the possibility of variation in measures, weight colour and shape represented in this schematics, establishing a unique and prestigious feature of the glass handwork art.