



NENUFAR SINGLE SCONCE

CODE

AP1402-2

DIMENSIONS

12" dia x 8"d

WEIGHT

9lbs

ELECTRICAL

2 x G9 - 40w each - 80w total

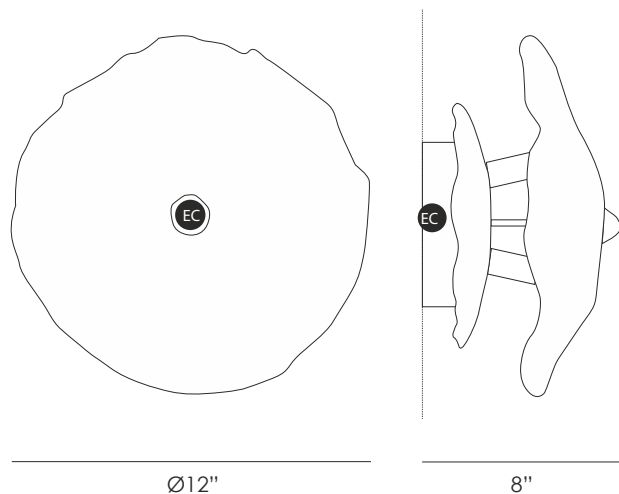
2 x ± 450lm each - ± 900 lumens total

Dimmable by Phase-dimming

SHOWN IN

Finish: Copper - CO

Glass: Bright Gold #06



EC Electrical Connection

DISTRIBUTED BY COLLECTIVE FORM

8655 Holloway Plaza Drive. West Hollywood, CA 90069 | 323.739.5462 | www.collectiveform.com

Glass Colors



06



10



37

- 06 - Bright Gold
- 10 - Clear
- 37 - White

Metal Finishes



FO



FO/PB



FP



FP/PB



CO

- FO - Antique Gold (with Brown Patina)
- FO/PB - Bright Gold (with White Patina)
- FP - Antique Silver (Brown Patina Undercoat)
- FP/PB - Bright Silver (White Patina Undercoat)
- CO - Copper
- CH - Lead
- PL - Palladium
- PR - Black
- RO - Rose Gold
- TA - Talha (Brown with randomly applied gold leaf and with a clear coat finish)



CH



PL



PR



RO



TA

All the glass models are design by Serip, they are unique and exclusively handmade produced for them. For this reason, there is the possibility of variation in measures, weight colour and shape represented in this schematics, establishing a unique and prestigious feature of the glass handwork art.