




MONDRIAN SMALL SCONCE

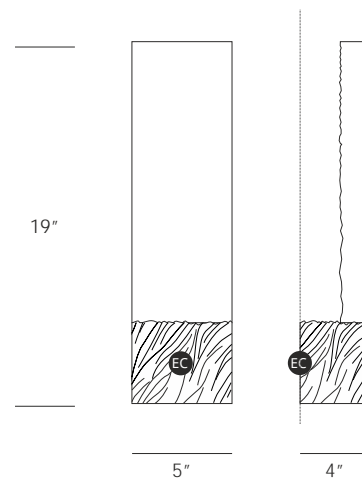
CODE
AP1493-1

DIMENSIONS
5"w x 4"d x 19"h

WEIGHT
13lbs

ELECTRICAL  US
1 x CL-L104 - 4w each - 4w total
1 x ± 350lm each - ± 350 lumens total
Dimmable by 1-10V

Sconce is either dimmable or UL Cannot be both.



 Electrical Connection

DISTRIBUTED BY COLLECTIVE FORM

8655 Holloway Plaza Drive. West Hollywood, CA 90069 | 323.739.5462 | www.seripamerica.com