



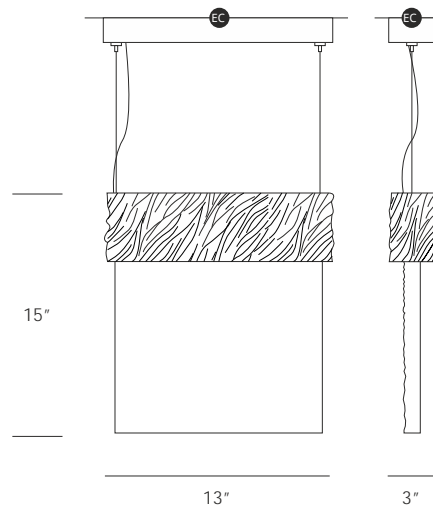
## MONDRIAN MEDIUM PENDANT

**CODE**  
CT3399-3

**DIMENSIONS**  
FIXTURE: 13" w x 3" d x 15" h  
MIN SAFE OAH: 18"  
MAX OAH: 94"

**WEIGHT**  
40lbs

**ELECTRICAL**  
3 x CL-L104 - 4w each - 12w total  
3 x ± 350lm each - ± 1050 lumens total  
Dimmable by 1-10V



EC Electrical Connection

**DISTRIBUTED BY COLLECTIVE FORM**

8655 Holloway Plaza Drive. West Hollywood, CA 90069 | 323.739.5462 | [www.seripamerica.com](http://www.seripamerica.com)