


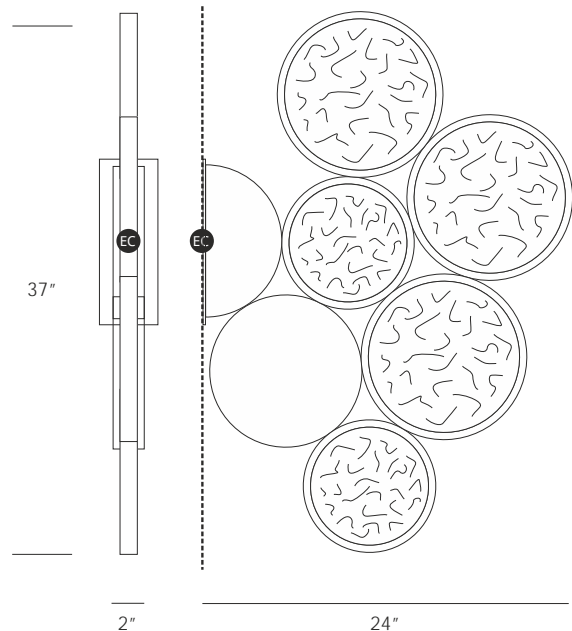
LUNA CORNER LARGE SCONCE

CODE
AP1465

DIMENSIONS
2" w x 24" d x 37" h

WEIGHT
33lbs

ELECTRICAL  US
1 x LED STRIP 24V 3000K - 36w each - 36w total
1 x ± 2745lm each - ± 2745 lumens total
Dimmable by 1-10V



EC Electrical Connection

DISTRIBUTED BY COLLECTIVE FORM

8655 Holloway Plaza Drive. West Hollywood, CA 90069 | 323.739.5462 | www.seripamerica.com

Glass Colors



10

10 - Clear

Metal Finishes



FO



FO/PB



FP



FP/PB



CO



CH



PL



PR



RO



TA

- FO** - Antique Gold (with Brown Patina)
- FO/PB** - Bright Gold (with White Patina)
- FP** - Antique Silver (Brown Patina Undercoat)
- FP/PB** - Bright Silver (White Patina Undercoat)
- CO** - Copper
- CH** - Lead
- PL** - Palladium
- PR** - Black
- RO** - Rose Gold
- TA** - Talha (Brown with randomly applied gold leaf and with a clear coat finish)

All the glass models are design by Serip, they are unique and exclusively handmade produced for them. For this reason, there is the possibility of variation in measures, weight colour and shape represented in this schematics, establishing a unique and prestigious feature of the glass handwork art.