




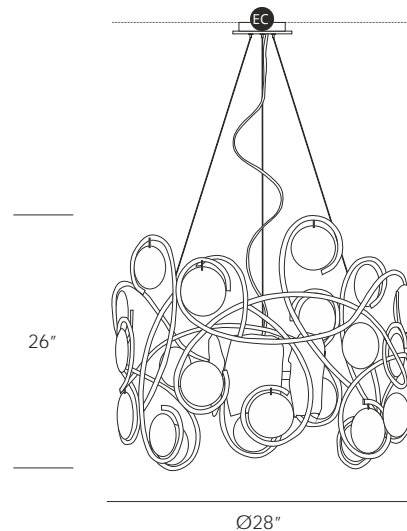
LINES ROUND LARGE CHANDELIER


CODE
CT3287-11

DIMENSIONS
FIXTURE: 28" dia x 26" h
MIN SAFE OAH: 33"
MAX OAH: 130"

WEIGHT
55lbs

ELECTRICAL  **us**
11 x G9 - 40w each - 440w total
11 x ± 450lm each - ± 4950 lumens total
Dimmable by Phase-dimming



 Electrical Connection

DISTRIBUTED BY COLLECTIVE FORM

8655 Holloway Plaza Drive. West Hollywood, CA 90069 | 323.739.5462 | www.seripamerica.com

Glass Colors



10



10

10 - Clear

Metal Finishes



FO



FO/PB



FP



FP/PB



CO

FO - Antique Gold (with Brown Patina)

FO/PB - Bright Gold (with White Patina)

FP - Antique Silver (Brown Patina Undercoat)

FP/PB - Bright Silver (White Patina Undercoat)

CO - Copper

CH - Lead

PL - Palladium

PR - Black

RO - Rose Gold

TA - Talha (Brown with randomly applied gold leaf and with a clear coat finish)



CH



PL



PR



RO



TA

All the glass models are design by Serip, they are unique and exclusively handmade produced for them. For this reason, there is the possibility of variation in measures, weight colour and shape represented in this schematics, establishing a unique and prestigious feature of the glass handwork art.