



## LINES CANA SCONCE

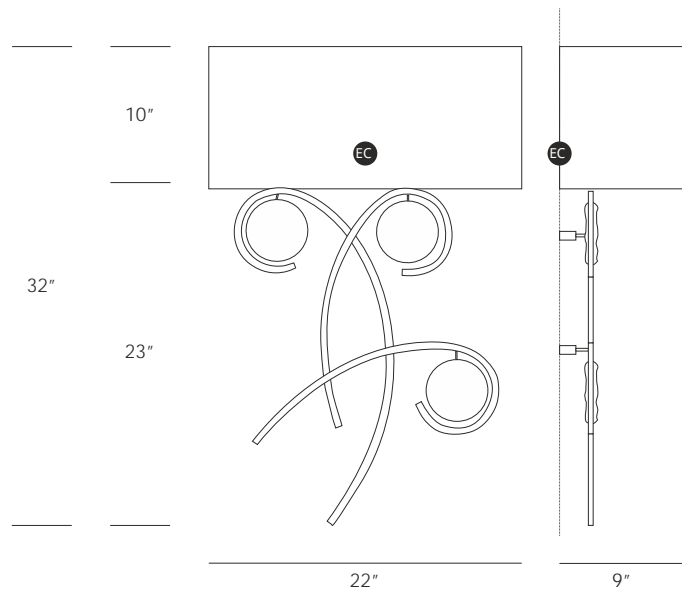
**CODE**  
AP1433-2

**DIMENSIONS**  
22" w x 9" d x 32" h  
Pleated Silk Shade: 22" w x 9" d x 10" h

**WEIGHT**  
11lbs

**ELECTRICAL**  
2 x E12 - 40w each - 80w total  
2 x ± 400lm each - ± 800 lumens total  
Dimmable by Phase-dimming

Shade and metal sculpture does not touch



**DISTRIBUTED BY COLLECTIVE FORM**

8655 Holloway Plaza Drive. West Hollywood, CA 90069 | 323.739.5462 | [www.seripamerica.com](http://www.seripamerica.com)

Glass Colors



10



10

10 - Clear

Metal Finishes



FO



FO/PB



FP



FP/PB



CO

- FO** - Antique Gold (with Brown Patina)
- FO/PB** - Bright Gold (with White Patina)
- FP** - Antique Silver (Brown Patina Undercoat)
- FP/PB** - Bright Silver (White Patina Undercoat)
- CO** - Copper
- CH** - Lead
- PL** - Palladium
- PR** - Black
- RO** - Rose Gold
- TA** - Talha (Brown with randomly applied gold leaf and with a clear coat finish)



CH



PL



PR



RO



TA

All the glass models are design by Serip, they are unique and exclusively handmade produced for them. For this reason, there is the possibility of variation in measures, weight colour and shape represented in this schematics, establishing a unique and prestigious feature of the glass handwork art.