



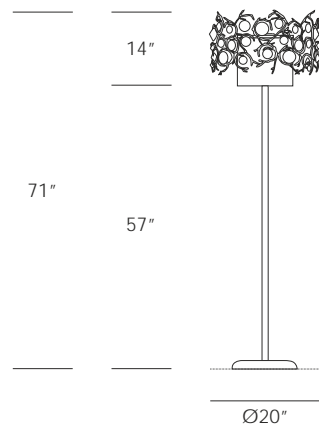
DIAMOND FLOOR LAMP

CODE
PA626-8

DIMENSIONS
20" dia x 71"h

WEIGHT
49lbs

ELECTRICAL
8 x G9 - 40w each - 320w total
8 x ± 450lm each - ± 3600 lumens total

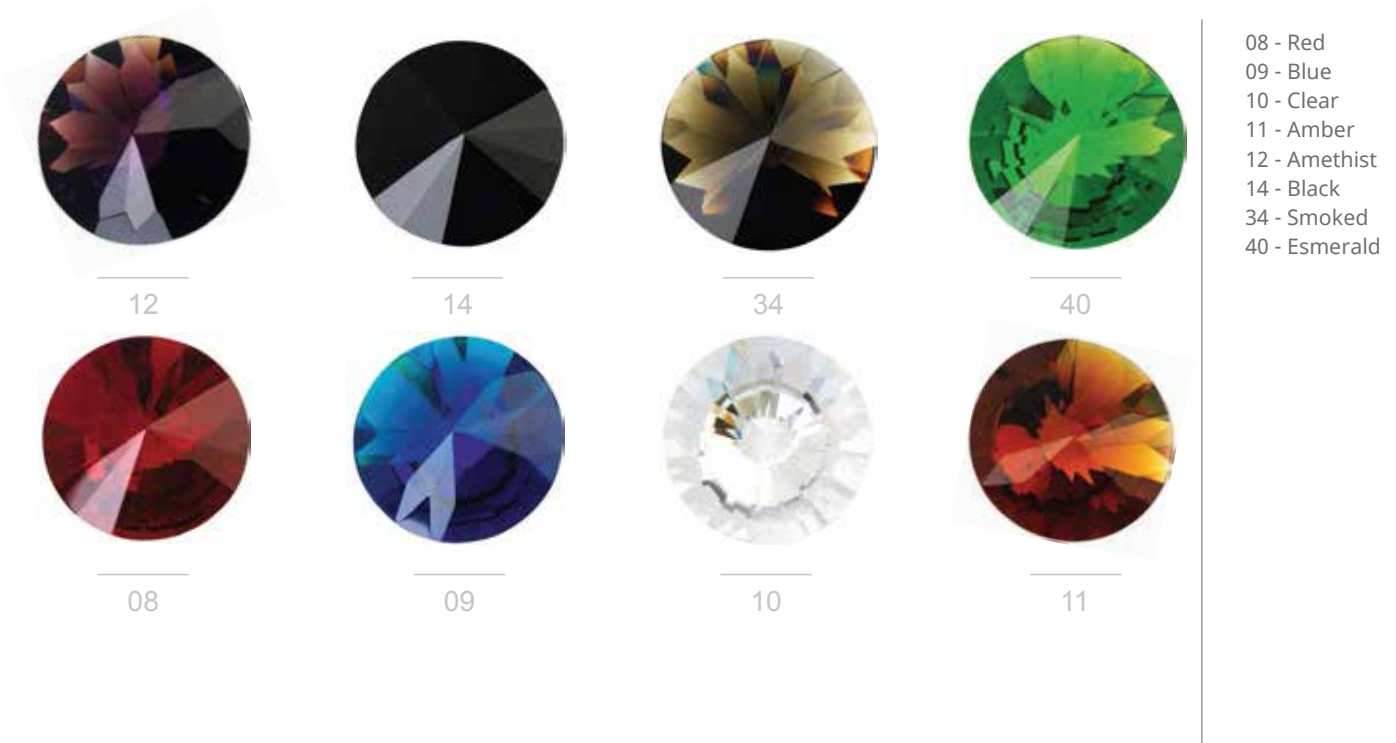


DISTRIBUTED BY COLLECTIVE FORM

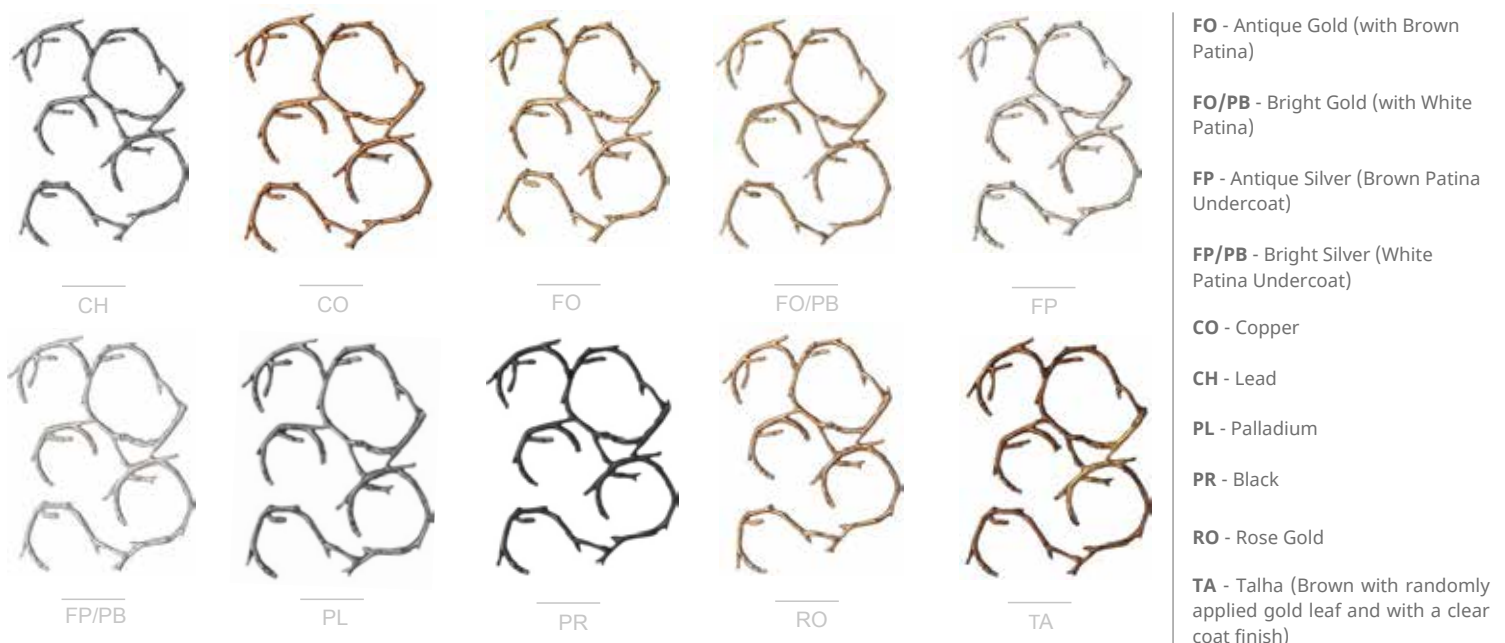
8655 Holloway Plaza Drive. West Hollywood, CA 90069 | 323.739.5462 | www.seripamerica.com

DIAMOND COLLECTION

Glass Colors



Metal Finishes



All the glass models are design by Serip, they are unique and exclusively handmade produced for them. For this reason, there is the possibility of variation in measures, weight colour and shape represented in this schematics, establishing a unique and prestigious feature of the glass handwork art.