



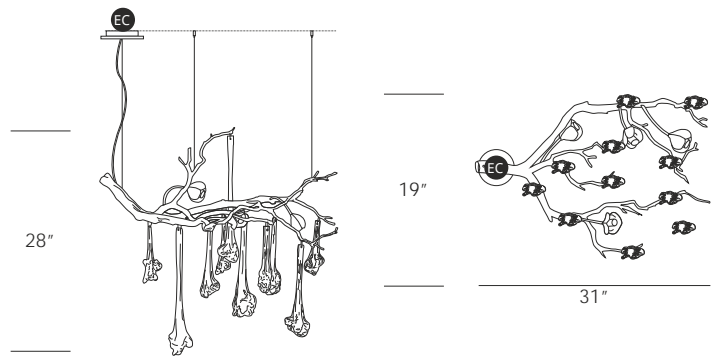
CORAL BRANCH CHANDELIER

CODE
CT3393-4

DIMENSIONS
FIXTURE: 31" w x 19" d x 28" h
MIN SAFE OAH: 28"
MAX OAH: 138"

WEIGHT
22lbs

ELECTRICAL
4 x G9 - 40w each - 160w total
4 x ± 450lm each - ± 1800 lumens total
Dimmable by Phase-dimming



EC Electrical Connection

DISTRIBUTED BY COLLECTIVE FORM

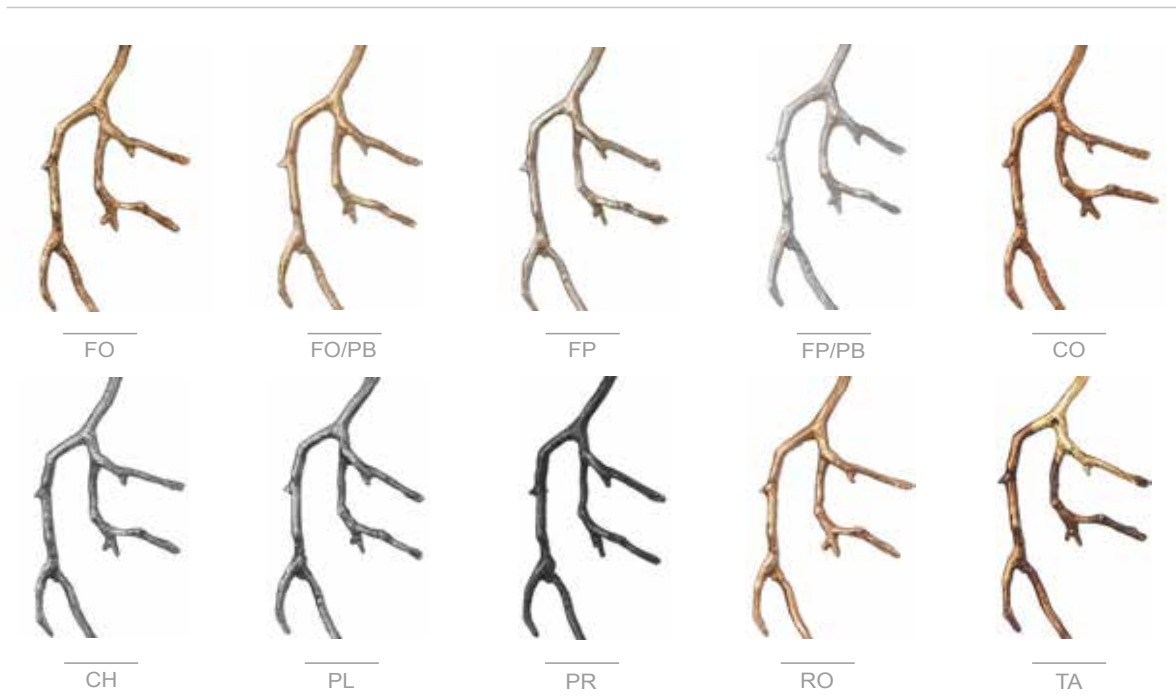
8655 Holloway Plaza Drive. West Hollywood, CA 90069 | 323.739.5462 | www.seripamerica.com

Glass Colors



10 - Clear

Metal Finishes



- FO** - Antique Gold (with Brown Patina)
- FO/PB** - Bright Gold (with White Patina)
- FP** - Antique Silver (Brown Patina Undercoat)
- FP/PB** - Bright Silver (White Patina Undercoat)
- CO** - Copper
- CH** - Lead
- PL** - Palladium
- PR** - Black
- RO** - Rose Gold
- TA** - Talha (Brown with randomly applied gold leaf and with a clear coat finish)

All the glass models are design by Serip, they are unique and exclusively handmade produced for them. For this reason, there is the possibility of variation in measures, weight colour and shape represented in this schematics, establishing a unique and prestigious feature of the glass handwork art.