



GLAMOUR STAIRCASE SMALL CHANDELIER

CODE

CT3234-15

DIMENSIONS

35" dia x 67"h

WEIGHT

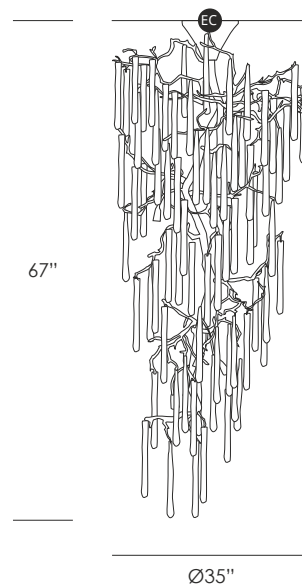
72lbs

ELECTRICAL

15 x G9 - 25w each - 375w total

15 x ± 260lm each - ± 3900 lumens total

Dimmable by Phase-dimming



EC Electrical Connection

DISTRIBUTED BY COLLECTIVE FORM

8655 Holloway Plaza Drive, West Hollywood, CA 90069 | 323.739.5462 | www.seripamerica.com