



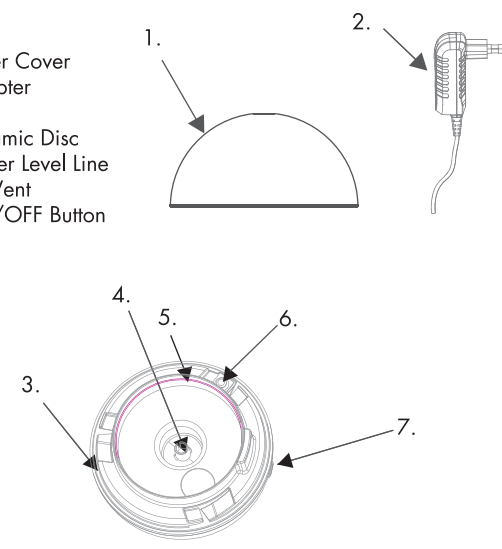
SPECIFICATIONS

Material: Durable ABS
Product Size: 110 x 110 x 100 mm
Power supply: USB & AC
Rated voltage: DC 5V/600 mA
Power: 3 W
Water capacity: 50 ml



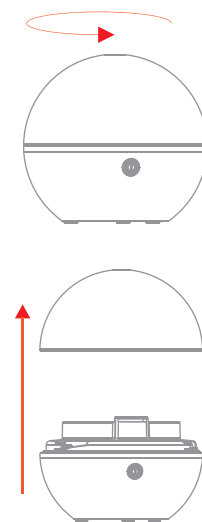
PARTS

1. Outer Cover
2. Adapter
3. Base
4. Ceramic Disc
5. Water Level Line
6. Air Vent
7. ON/OFF Button

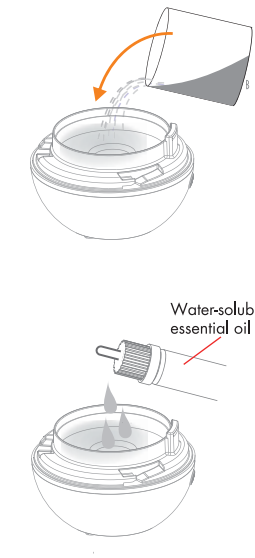


OPERATING INSTRUCTIONS

1. Unscrew the cover counter clockwise
2. Remove the cover

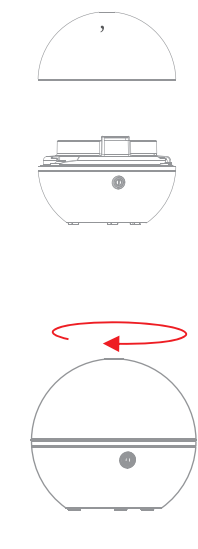


3. Add 15-50 ml water, ensuring you don't exceed the maximum water level line
4. Add a few drops of essential oils to the water if desired

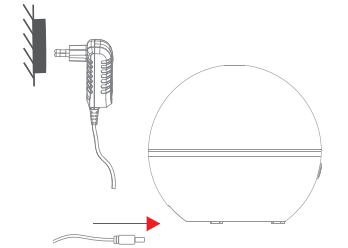


5. Replace the cover, tightening the cover clockwise

The LED lights will turn off when it's secure

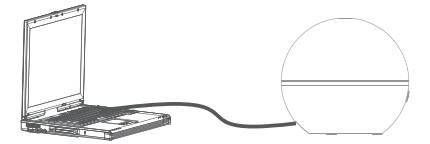


- 6a. Connect the adaptor to the diffuser and plug into an electrical outlet



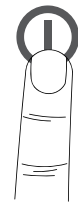
OR

- 6b. Plug the USB cable to the unit and then connect to a USB port



ON/OFF, MIST & LIGHT CONTROL

Press Once	Mist ON, LED light ON
2 nd time	Mist ON, LED light OFF
3 rd time	OFF

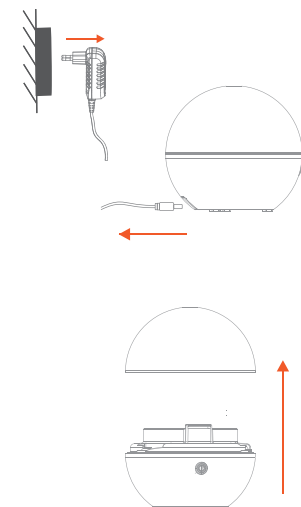


Unplug when not in use.

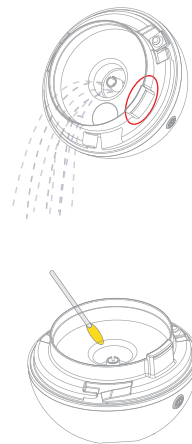
Please note: If the light is flashing, it means that the water level is close to auto shut off. When the cover is removed while functioning, the diffuser stop working.

CLEANING

1. Turn off and unplug the unit
2. Remove the cover



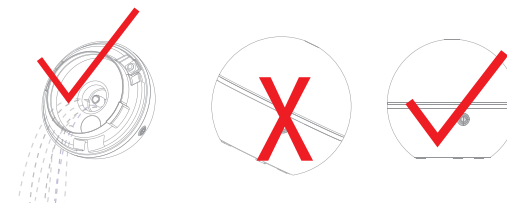
3. Empty water from the back side
4. Using a damp clean cloth or clean swab, wipe the inside and outside of the container



Do NOT submerge in water. If unit is used daily, it is recommended that it's cleaned every 3 days.

IMPORTANT

1. Do not leave the diffuser running unattended. Always turn off the unit before leaving a room.
2. Do not overfill the unit. This could cause damage.
3. Unplug the unit during filling and cleaning.
4. Do not empty water from the side where the air vent is located.
5. Place diffuser on a firm, flat, and level surface.



TROUBLESHOOTING

SYMPTOM	POSSIBLE CAUSE	SOLUTION
No mist, or not enough mist	Power supply not connected	Plug in the power and press ON
	Not enough water	Refill the water tank
	Water exceeds max. water level line	Pour out excess water
	Outlets blocked by dust/debris	Clean unit
	Ceramic disc has worn out (approx. 3000 hours of use)	Replace the ceramic disc



Ultrasonic diffusion is the preferred way to disperse essential oils into the air. High electronic frequencies vibrate and break down the oils, allowing the diffuser to project fine streams of refreshing mist without the use of any heat.

ONE YEAR WARRANTY

This product is warranted to be free of manufacturer defect and operate properly for a period of one year after date of purchase. ORIGINAL PURCHASE RECEIPT IS REQUIRED FOR ANY WARRANTY REPAIR OR REPLACEMENT. Warranty is not valid if product is used for anything other than personal home use (non commercial use) or in any improper manner, or if dropped or damaged in any way. Return to retailer with original receipt to initiate a warranty claim.

Relaxus Products Ltd.
1590 Powell Street
Vancouver, BC, Canada

1.800.668.9876
contact@relaxus.com
www.relaxus.com