



# SkyLights

ULTRASONIC AROMA DIFFUSER & HUMIDIFIER  
517211

USER MANUAL



Thank you for buying our Sky Lights diffuser.



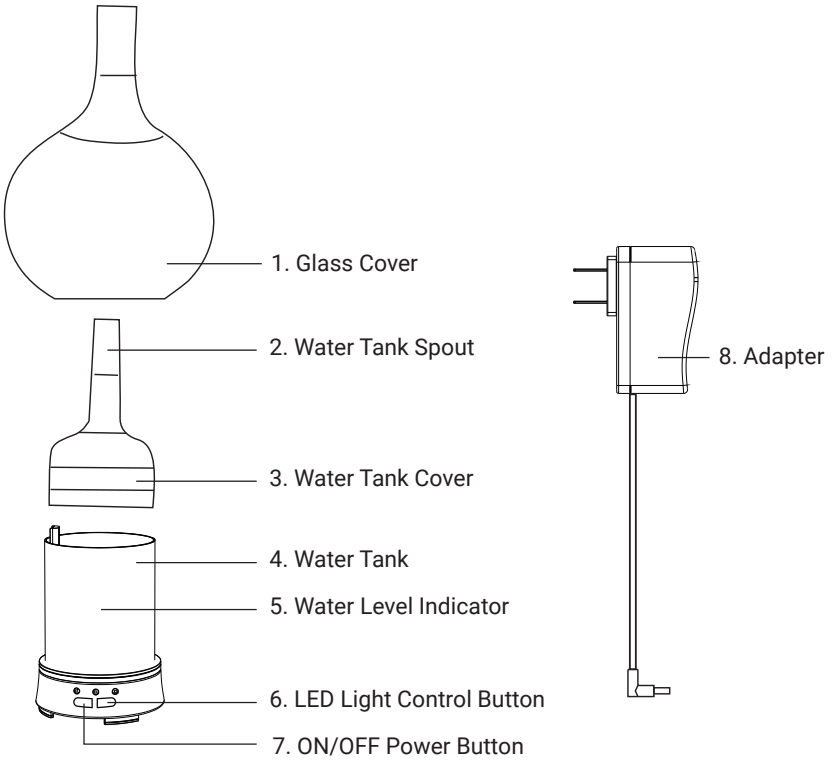
**Please read the safety instructions carefully before using.**

As with all electric devices, basic care and attention need to be followed:

- Always unplug the appliance' power cord from the electrical outlet immediately when not in use.
- Always unplug the unit before cleaning it.
- DO NOT operate if the power cord or electric plug appears damaged.
- DO NOT operate if the unit has been exposed to water, steam or extreme humidity.
- If the unit appears not to be working correctly, unplug & discontinue use.
- Never attempt to repair this device.
- Keep power cord and appliance away from heated surfaces.
- Never leave the diffuser unattended when connected to power source. Always unplug the cord from power outlet when it is not in use .
- NEVER drop or insert any object into the unit
- This device is only for home use, NOT for outdoor use.
- DO NOT immerse this device in water or in any other liquid.
- To disconnect – turn off the unit and then remove the plug from power outlet.

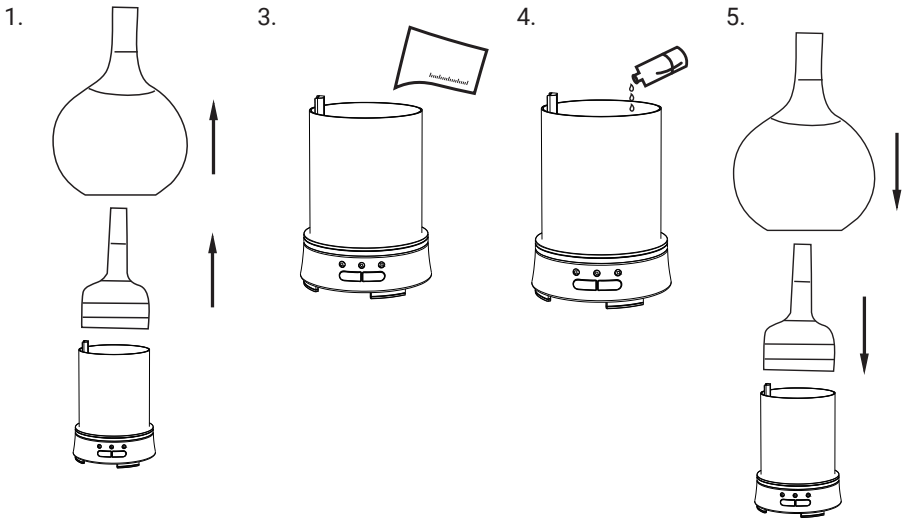
# PARTS

---



## HOW TO USE

---



1. Remove the glass cover and water tank cover.
2. Turn the unit upside down and plug the adapter into the unit  
*(DO NOT PLUG THE ADAPTER INTO THE POWER OUTLET UNTIL STEPS 1-5 ARE COMPLETED).*
3. Add water to the water tank (maximum 100 ml). See water indicator lines in the water tank.
4. Add 3-5 drops of essential oil to the water.
5. Replace the water tank and glass covers.
6. Plug the adapter into a power outlet and press the power button to begin.

## TIMER FUNCTION

---

- When you first press the power button, the unit defaults to continuous misting.
- Press the power button a 2ND time to set the timer for 2 hours.
- Press a 3rd time to set the time for 1 hour.
- Press a 4th time to shut off the unit.

## LIGHT FUNCTION

---

When first turned on, the unit defaults to colour-changing mode. To change colours or brightness, press the light button. Each time the button is pressed, it will change colour and/or brightness intensity.

### Example

- Press the button once and the lamp will set on bright purple/pink light.
- Press a 2ND time, the light intensity will dim.
- Press a 3RD time, the lamp will set to a bright green/yellow light. Press again and the intensity of the light will dim.
- To go back to colour-changing more, turn off the unit and start again.

**Light Off Mode:** Hold the light button for 3-4 seconds. The unit will mist without light.

## CLEANING/CARE

---

1. Switch off the unit and unplug before cleaning or dismantling.
2. Take off both covers before carefully pouring out the water from the tank.
3. Clean the unit with a slightly damp cloth.
4. Add a small amount of vinegar on a cotton tip swab to clean the ultrasonic plate. Do not use harsh detergents.
5. Never submerge the unit in water.
6. If used frequently, clean weekly to avoid essential oil residue build up or mildew.

## TROUBLE SHOOTING

---

### No Mist

- Check to see if the adapter is plugged properly into the unit and power source.
- Press the Power on/off button
- Check water levels, this unit has an auto shut off when water level drops too low.
- If so, add water to the tank, not surpassing the 100 ml mark
- Make sure the ultrasonic plate is cleaned. If clogged, unplug the unit, remove the covers, pour out the water and using a cotton swab dabbed in vinegar, clean the plate and surrounding area.
- Make sure the covers are on securely

## **ONE YEAR WARRANTY**

RELAXUS PRODUCTS LTD. warrants this product to be free from defects and faults for 365 calendar days from the date of purchase. This warranty does not cover (i) damage caused by improper or incorrect installation or use; (ii) breakage or damage from mishandling or other inadvertence; and (iii) use of this product for purposes for which it was not intended.

RELAXUS PRODUCTS LTD. retains discretion to repair, supply replacement parts or supply a new product of the same or substantially similar kind and quality during the period of this warranty. Proof of purchase is required for warranty purposes. This warranty is not transferable.

Limited warranty from manufacturer only for original purchaser against manufacturing or workmanship defect under normal use.



**RELAXUS PRODUCTS LTD.**

**relaxus.com**

TF. 1.800.668.9876

E. [contact@relaxus.com](mailto:contact@relaxus.com)

1590 Powell Street, Vancouver, BC, Canada