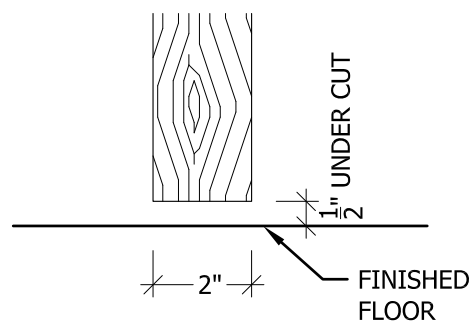
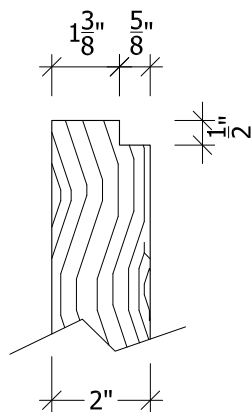
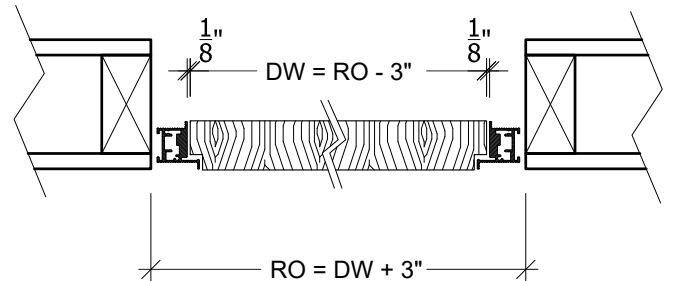
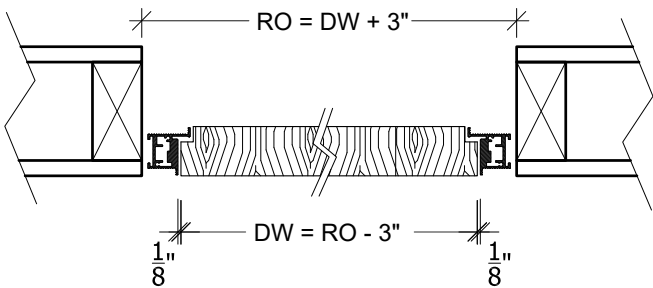


PULL DOOR

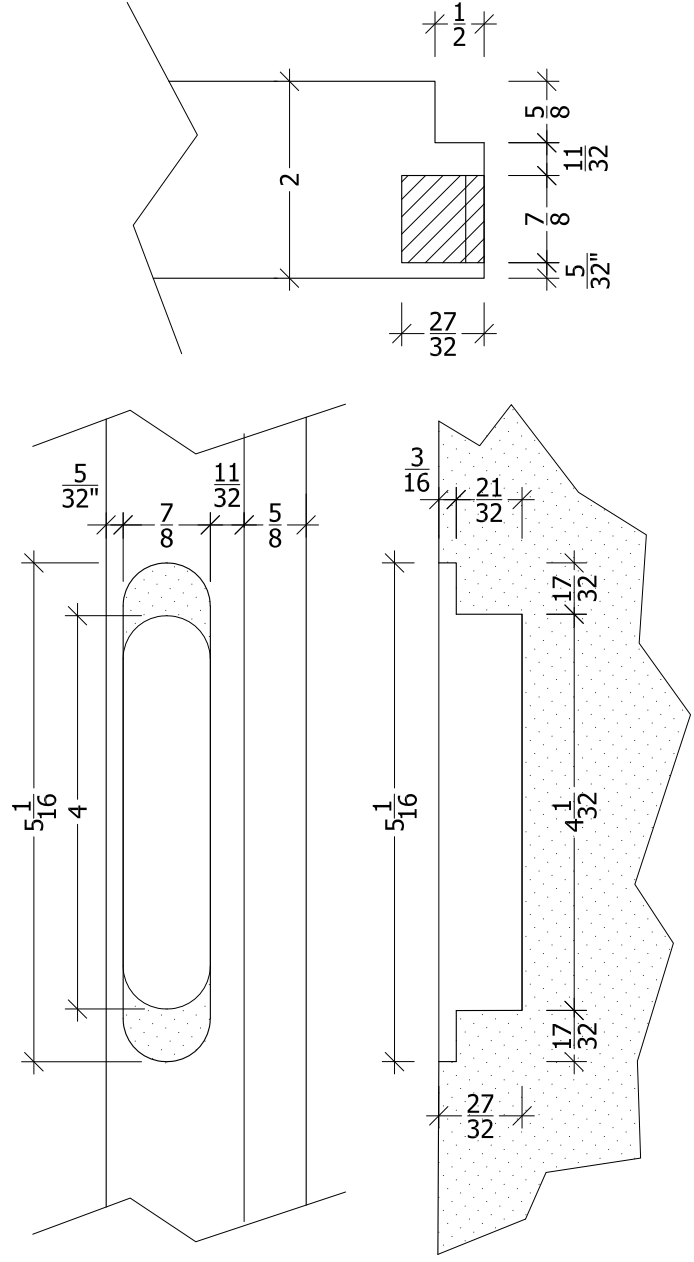
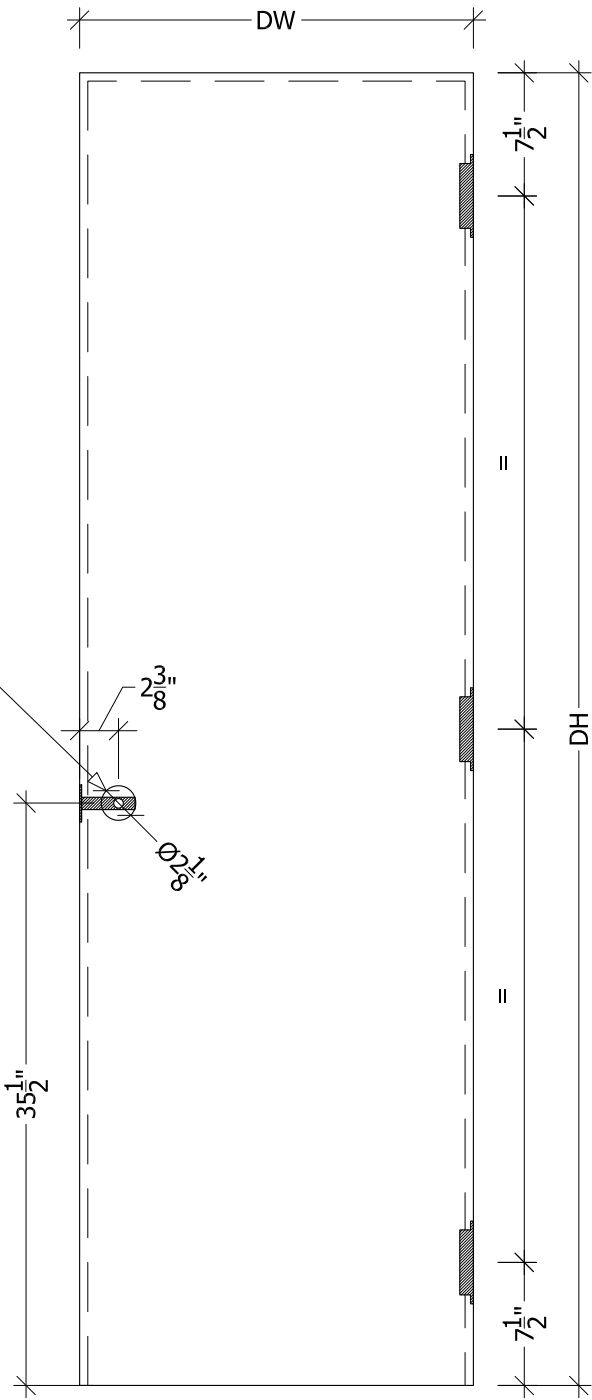
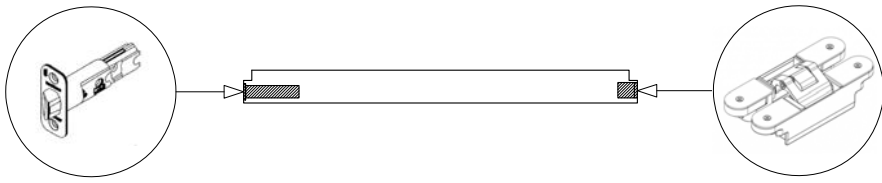
PUSH DOOR



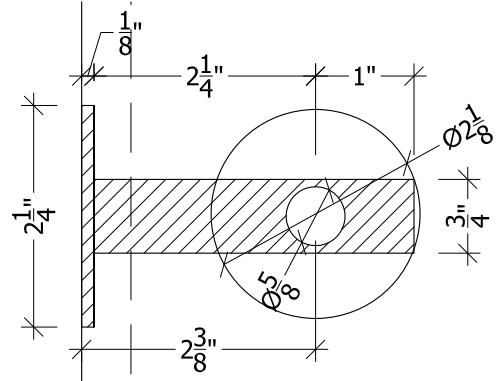
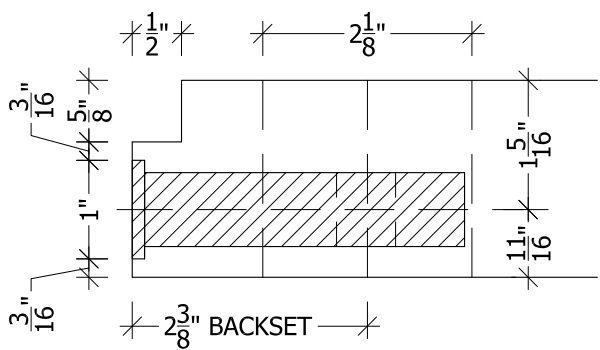
**INFINITY
DOORS
-NET**

DATE DRAWN:
02/25/2023

SHEET 1 OF 3



HINGE DRILLING DETAIL FOR CEAM HINGE 1430



INFINITY DOORS · NET

DATE DRAWN:
02/25/2023

SHEET 2 OF 3

