

VAUNI

Installation guide for Re:build bioethanol burners

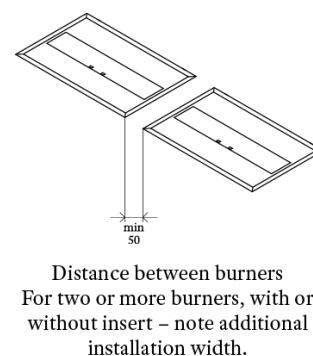
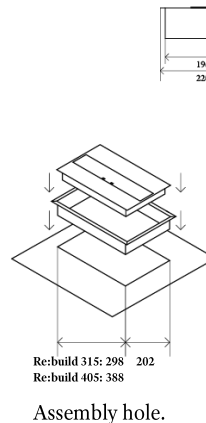
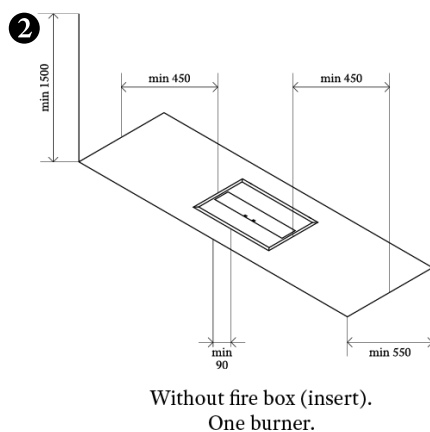
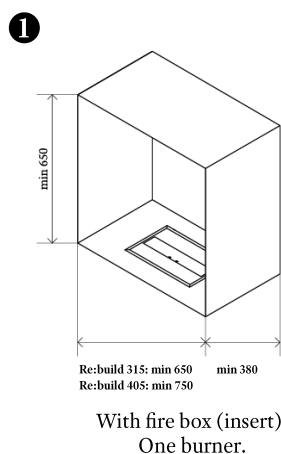
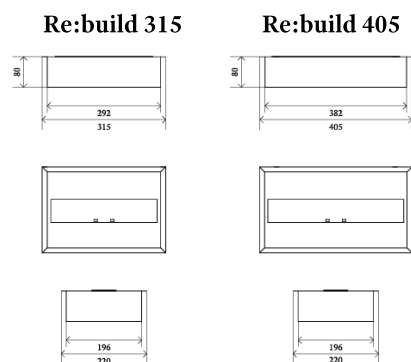
Use Re:build to design your own inbuilt fireplace using an bioethanol-fueled insert burner and no flue.

If you would like to design your own inbuilt fireplace, then the bioethanol-fueled insert burners, Re:build, are the right choice. The products are intended for installation in fireproof material* and do not require a flue, creating maximum design freedom.

The safe, flue-free technology combined with the simple installation gives you almost unlimited design possibilities—the only limit is your imagination.

* Examples of fireproof material: metal, minerit boards, brick, tiles, cement, plaster, safety glass and stone.

	Re:build 315	Re:build 405
Dimensions	315 x 80 x 220 mm	405x80x220 mm
Assembly hole	298 x 202 mm	388x202 mm
Weight	4 kg	6 kg
Heat output	2 kW	3 kW
Fuel volume	2 l	3 l
Burning time	min 5 h	min 5 h



Installation options

1 Installation in recess

It is important that fireproof material is used underneath and surrounding the burner. The dimensions refer to recommended safety clearance to these materials.

2 Open installation

It is important that the board into which you insert the burner is made of fireproof material.

The dimensions W: 450 mm (in each direction) and H: 1 500 mm refer to recommended safety clearance to other internal elements such as ceiling and walls (do not need to be fireproof material).