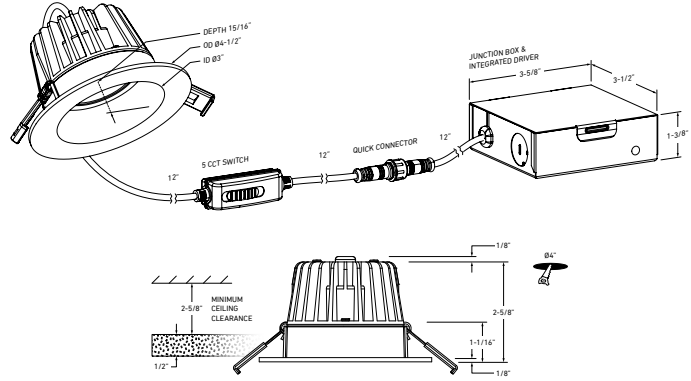


**MODEL NAME** **RGR4-CC**  
**RGR SERIES**  
**4-Inch Regressed Downlight**

When choosing a recessed fixture, eliminating glare is a priority. The unique positioning of the LED module in this series of downlights will meet that important need.



<b>PROJECT:</b>	<b>TYPE:</b>
<b>DATE:</b>	<b>QTY:</b>
<b>NOTES:</b>	

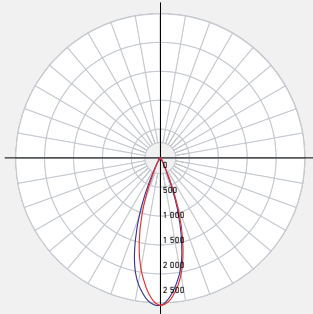


**QUICK SPECS**

SIZE	WATTS	DELIVERED LUMENS*	COLOR °T 5CCT	CRI	VOLTAGE	BEAM ANGLE	FINISH
4"	15W	1100lm	2700K 3000K 3500K 4000K 5000K	90	120V	40°	<input type="radio"/> White <input type="radio"/> Satin Nickel <input checked="" type="radio"/> Black

\*Lumen output measured at 3000K

**LIGHT DISTRIBUTION**



**CONSTRUCTION**

<b>Construction</b>	Clear	<b>Type of optics</b>	Optical lens	<b>Type of LED</b>	COB
<b>Lens material</b>	Acrylic	<b>Housing material</b>	Cast aluminum	<b>Cut hole size</b>	4"

**RATINGS**

<b>Placement</b>	Indoor/Outdoor	<b>Lifespan</b>	50,000 hrs.	<b>FT rating</b>	FT6
<b>Location</b>	Wet	<b>Certifications</b>	ETL, FCC, ICES, ES IC, ASTM E283-04, T24	<b>Operating temperature</b>	-20° to 40° C

**WHAT'S IN THE BOX**

- LED recessed fixture
- Junction box
- Push-in wire connectors
- Mounting hardware
- Instruction sheet

**ACCESSORIES**

- RFP-UNI**  
Universal Drilling Plate
- RFP-46**  
Drilling Plate

**ADAPTERS**

- REC-EXT108**  
108" extension cord for recessed fixtures
- REC-EXT230**  
230" extension cord for recessed fixtures



**ELECTRICAL  
DETAILS**

**Input voltage**  
108-135V

**Output current**  
330mA

**Power factor**  
99%

**Driver type**  
Constant current

**Output voltage**  
35V

**LED model #**  
COB

**THD harmonic  
distortion**  
<30%

**Binning type**  
3 SDCM

**FEATURES**

Every fixture includes a junction box with an integrated driver

Superior LED performance and lifespan

Switch-selectable CCT:  
2700K / 3000 K / 3500 K /  
4000 K / 5000 K

Can be daisy chained

Smooth 360° wide spread

**WARRANTY**

DALS offers a 5-year warranty from the date of purchase which covers repairs or replacement of defective parts of the housing, optics, and electronics. To contact DALS customer service call 1-877-430-1818 or send an e-mail to [info@dals.com](mailto:info@dals.com).

**RECOMMENDED DIMMER LIST\***

BRAND	MODEL #	DIMMER SPECS	GRADE	DIMMING RANGE (%)	MAX LOAD
Dals	SM-DIMSW Smart Dimmer	Triac, 250W LED/CFL	Compatible	Min: 8 / Max: 99	17
Lutron	DVCL-153PR-WH-C	Triac, 150 W Dimmable CFL/LED	Compatible	Min: 10 / Max: 100	10
Lutron	CTCL-153PDH-WH-C	Triac, 150 W Dimmable CFL/LED	Compatible	Min: 9 / Max: 100	10
Lutron	STCL-153PH-WH-C	Triac, 150 W Dimmable CFL/LED	Compatible	Min: 3 / Max: 100	10
Lutron	DVWCL-153PH-WHC	Triac, 150 W Dimmable CFL/LED	Compatible	Min: 10 / Max: 100	10
Lutron	MACL-153MRHW-WHC	Triac, 150 W Dimmable CFL/LED	Compatible	Min: 2 / Max: 100	10
Lutron	DVELV-300P-WH	300W electronic low voltage dimmer	Compatible	Min: 10 / Max: 100	21
Lutron	MA-PRO-WH	ELV, 250W LED/CFL	Compatible	Min: 3 / Max: 100	17
Lutron	Caseta PD-6WCL-WH-R-C	Triac, 300W Dimmable CFL/LED	Compatible	Min: 1 / Max: 100	17
Lutron	Caseta PD-5NE-WH-C	ELV, LED—up to 250 W	Compatible	Min: 5 / Max: 100	17
Lutron	Caseta PD-10NXD-WH	Triac, LED—up to 250 W	Compatible	Min: 2 / Max: 100	10
Leviton	6672-1LW	Triac, 150W Dimmable CFL/LED	Compatible	Min: 25 / Max: 99	10
Leviton	DSM10	Triac, 450W Dimmable CFL/LED	Compatible	Min: 21 / Max: 100	32
Leviton	6674	Triac, 150 W Dimmable CFL/LED	Compatible	Min: 12 / Max: 99	10
Leviton	IPL06-10Z	Triac, 150 W Dimmable CFL/LED	Compatible	Min: 19 / Max: 99	10
Leviton	DSL06-752	Triac, 150 W Dimmable CFL/LED	Compatible	Min: 19 / Max: 99	10
Leviton	D26HD-742-1RW	Triac, 300W LED/CFL	Compatible	Min: 12 / Max: 99	21
Legrand	RHCL453PNICCV4	Triac, 450W Dimmable CFL/LED	Compatible	Min: 13 / Max: 100	21
Legrand	ADTP703TUM4	Triac, 450W Dimmable CFL/LED	Compatible	Min: 13 / Max: 100	21
Legrand	ADPD453LM2	Triac, 450W Dimmable CFL/LED	Compatible	Min: 12 / Max: 99	21
Legrand	RHL373PW	Triac, 250W LED	Compatible	Min: 9 / Max: 98	17
Control 4	C4-APD120-WH	ELV, 120W LED	Compatible	Min: 1 / Max: 99	8
Control 4	C4-FPD120-WH	Triac, 200W LED	Compatible	Min: 1 / Max: 98	14

\* Minimal buzzing noise may occur with some dimmers