

# Piccolo



## INSTALLATION AND CONNECTION

**Installation height** 12 in (30 cm).

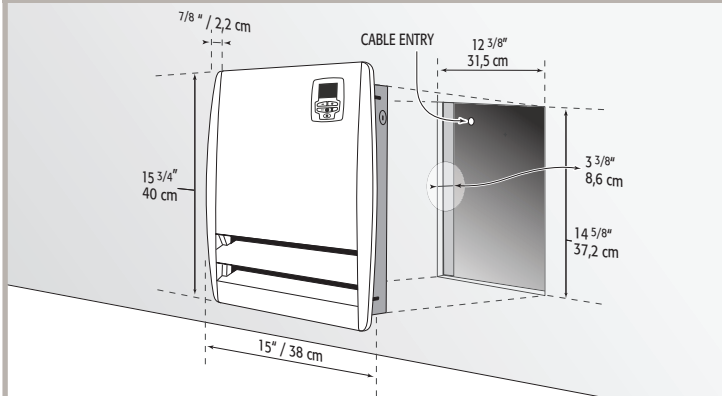
**Clearances**

■ Front: 24 in (60 cm) ◀ Sides: 4 in (10 cm) ▲ Above: 8 in (20 cm).

**Installation** Built into the wall between studs. Clear a regular opening of 14 5/8 in (37,2 cm) high ; 12 3/8 in (31,5 cm) wide. Depth required: 3 3/8 in (8,6 cm).

**Connection** 240-V unit: Direct connection in the unit - top left. Removable front panel; installation and wiring through the front.

**Note** 3-conductor cable or 2-conductor cable with a third wire should be used if unit is to be linked with the Convectair Programmer module (7392 FP). Visible thickness: 7/8 in (2,2 cm); total thickness: 4 3/8 in (10,8 cm).



### HEATING ELEMENT

**Total capacity** 1 500 W


 **Fan-forced heat (750 W)** Low-thermal-mass heating element combined with low-pressure tangential blower.

**Quick heat option (750 W)** Low-thermal-mass heating element combined with low-pressure tangential blower.

**Thermal protection** Reset overheat protection by turning heater off.

### TEMPERATURE CONTROL


**Electronic thermostat** Built-in electronic proportional-action thermostat for basic heating.

 **Electronic timer** with indicator light, for 5 to 90 minutes of accelerated heating.

**Programmer** Programmer-compatible, pilot wire only.

### CONTROL PANEL

**Location** Front panel.

 **LCD screen** Back-lit with controls lockable by key combination.

**On/Off button** with indicator light.

**Timer button** with indicator light.

**24-hr button** with indicator light stores the Chrono setting, for daily bathroom preheating.


**<< + and - >> buttons** control the temperature setting.

**Locked** indicator light.

**Heating** indicator light.

### CABINET

**Steel** construction with polyester/epoxy anti-rust powder coating and resistant to UV rays.

 **Cabinet** Thin profile construction with rounded edges.

**Louvres** Air outlet hides the unit interior and directs heat towards the center of the room.

**Colour BB** = White

MODEL	Catalogue No.	Colour	Power 240 V	Height cm	Height in	Width cm	Width in	Depth cm	Depth in	Net Weight kg	Net Weight lb
PICCOLO ②	7831-C15	BB	750 - 1500 W	40	15 3/4	38	15	2,2	7/8	5,6	12,4

② Compatible with the Programmer system (see technical specifications for catalogue number 7392).

For guaranteed, dependable operation, we recommend that all units be installed by a licensed electrical contractor. Consult [convectair.com](http://convectair.com) to find the most recent installation instructions for our heaters.

