



9 V Front-Loading Battery Operated Smoke Alarm



Part Number **0976CA** Model **i9070CA**
10-Year Limited Warranty

Front-Loading Battery Door

Hush® Button

Test Button

Ionization Technology



Description

The Kidde i9070CA is a 9V front-loading battery operated, single station smoke alarm. The i9070CA offers a Hush® button that temporarily silences nuisance alarms.

The front-loading battery door allows user to change the battery without removing the alarm from the mounting bracket making battery replacement easy and convenient.

This alarm uses ionization sensing technology. Ionization sensing alarms may detect invisible fire particles (associated with flaming fires) sooner than photoelectric alarms. Leading authorities recommend that both ionization and photoelectric smoke alarms be installed to help ensure maximum detection of the various types of fires that can occur within the home.

Features and Benefits

- **9V Front-Loading Battery Door** – Change the battery without the need to remove the unit from the ceiling.
- **Hush® Button** – Temporarily silences nuisance alarms for approximately 8 minutes (smoke must be present before Hush® is activated).
- **Test Button** – Simultaneously tests the unit's electronic circuitry, horn and battery function.
- **Tamper Resistant** – Deters removal of the unit from the wall or ceiling and optional tamper resistant switch that prevents the battery door from being opened.



Architectural and Engineering Specifications

The smoke alarm shall be Kidde model i9070CA or approved equal. It shall be powered by a 9V battery. The temperature operation range shall be between 4.4°C and 37.8°C (40° and 100°F) and the humidity operating range shall be 10%–95% relative humidity.

The unit shall incorporate an ionization sensor with nominal sensitivity of 1.03 ±0.44 %/ft.

The alarm can be installed on the surface of any wall or ceiling following the UL/NFPA/Manufacturer’s recommended placement guidelines. The alarm shall provide optional tamper resistance that deters removal of the unit from the wall or ceiling and locks the battery door closed. No additional pieces shall be required to activate this feature.

The alarm shall include an easy access battery compartment that is opened and closed by pressing on the battery door. The 9V battery carrier will ensure proper battery protection by not allowing the battery door to close if the battery is placed in the unit incorrectly or if a battery is not present. The unit shall also provide an optional tamper resistant switch that will prevent the battery door from being opened.

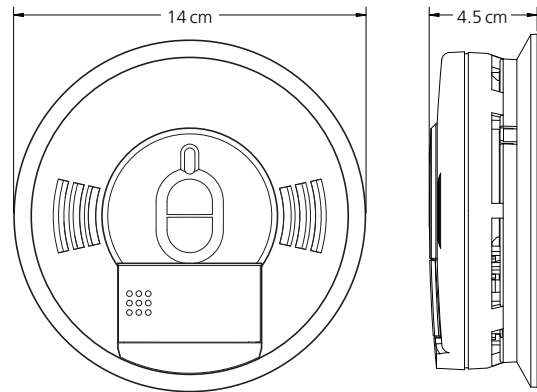
The unit shall include a piezoelectric horn that is rated at 85 decibels at 10 feet. The unit shall include a Hush® button that silences the unit for approximately 7 minutes if a nuisance condition occurs. The unit shall also include a low battery warning utilizing a brief alarm chirp every 30-40 seconds for a minimum of seven (7) days.

The unit shall incorporate a red LED indicator that will flash every 30-40 seconds to indicate that the smoke alarm is operating properly. When products of combustion are sensed, the unit sounds the alarm, and the red LED will flash once per second, until the air is cleared.

The unit shall at a minimum meet the requirements of CAN/ULC-S531. It also shall include a 10-year manufacturer’s limited warranty.

Technical Specifications

| | |
|---------------------------|---|
| Power Source: | 9V battery |
| Sensor: | ionization |
| Audio Alarm: | 85 dB at 10 ft |
| Temperature Range: | 4.4°C (40°F) to 37.8°C (100°F) |
| Humidity Range: | 10%-95% relative humidity, non-condensing |
| Unit Size: | 14 cm in diameter x 4.5 cm depth |
| Unit Weight: | 0.2 kg |
| Interconnects: | No |
| Warranty: | 10-year limited |



Ordering Information

UPC: 0-47871-27694-3

| Part Number | 12 of 5 | Pack Quantity | Case Dimensions (w x d x h centimeters) | Case Weight | Case/Skid |
|-------------|-------------------|---------------|---|-------------|-----------|
| 0976CA | 100-47871-05225-4 | 8 units | 20 cm x 44 cm x 28 cm | 2.60 kg | 36 |



Kidde Canada Inc.
 P.O. Box 40, Apsley, ON K0L 1A0
 1-800-880-6788
 www.kiddecanada.com

Distributed by: