

**MODEL NAME** **GMB4-CC**  
**SCOPE**  
**4-Inch Recessed Gimbal Light**

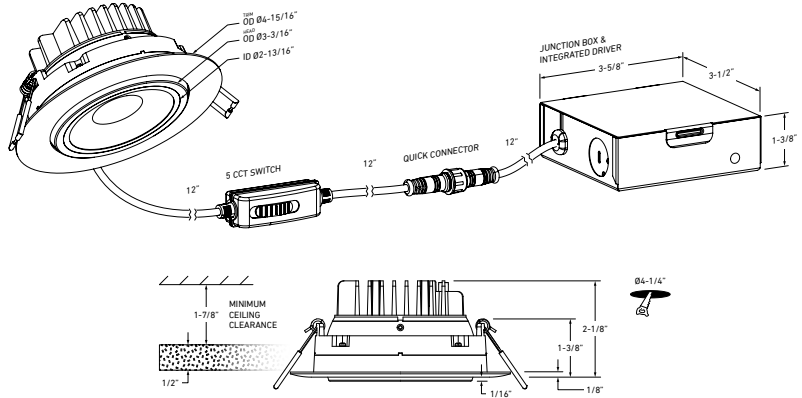
When searching for lighting flexibility, look no further than our 4" LED directional downlight. With a powerful lumen output and the ability to shine your light with a 360 degree rotation.



**PROJECT:** \_\_\_\_\_ **TYPE:** \_\_\_\_\_

**DATE:** \_\_\_\_\_ **QTY:** \_\_\_\_\_

**NOTES:**

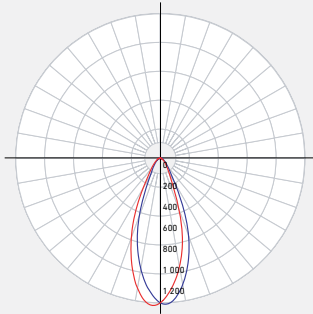


**QUICK SPECS**

SIZE	WATTS	DELIVERED LUMENS*	COLOR °T 5CCT	CRI	VOLTAGE	BEAM ANGLE	FINISH
4"	11W	810lm	2700K 3000K 3500K 4000K 5000K	90	120V	40°	<input type="radio"/> White <input type="radio"/> Satin Nickel <input checked="" type="radio"/> Black

\*Lumen output measured at 3000K

**LIGHT DISTRIBUTION**



<b>CONSTRUCTION</b>	<b>Lens</b> Clear	<b>Type of optics</b> Optical lens	<b>Type of LED</b> COB
	<b>Lens material</b> Acrylic	<b>Housing material</b> Cast aluminum	<b>Cut hole size</b> 4-1/4"

<b>RATINGS</b>	<b>Placement</b> Indoor/Outdoor	<b>Lifespan</b> 50,000 hrs.	<b>FT rating</b> FT6
	<b>Location</b> Wet	<b>Certifications</b> ETL, FCC, ICES, ES IC, ASTM E283-04, T24	<b>Operating temperature</b> -20° to 40° C

**WHAT'S IN THE BOX**

- LED recessed fixture
- Junction box
- Push-in wire connectors
- Mounting hardware
- Instruction sheet

**ACCESSORIES**

- RFP-UNI**  
Universal Drilling Plate
- RFP-46**  
Drilling Plate

**ADAPTERS**

- REC-EXT108**  
108" extension cord for recessed fixtures
- REC-EXT230**  
230" extension cord for recessed fixtures



<b>ELECTRICAL DETAILS</b>	<b>Input voltage</b> 100-135V	<b>Output current</b> 240mA	<b>Power factor</b> 99%	<b>Driver type</b> Constant current
	<b>Output voltage</b> 36V	<b>LED model #</b> COB	<b>THD harmonic distortion</b> <30%	<b>Binning type</b> 3 SDCM

<b>FEATURES</b>	Every fixture includes a junction box with an integrated driver	Superior LED performance and lifespan	Minimal heat emission 30° tilting, 360° rotation	Switch-selectable CCT: 2700K/ 3000 K/ 3500 K/ 4000 K/ 5000 K
	Can be daisy chained	Smooth 360° wide spread		

<b>WARRANTY</b>	DALS offers a 5-year warranty from the date of purchase which covers repairs or replacement of defective parts of the housing, optics, and electronics. To contact DALS customer service call 1-877-430-1818 or send an e-mail to <a href="mailto:info@dals.com">info@dals.com</a> .
-----------------	--

**RECOMMENDED DIMMER LIST\***

BRAND	MODEL #	DIMMER SPECS	GRADE	DIMMING RANGE (%)	MAX LOAD
Dals	SM-DIMSW Smart Dimmer	Triac, 250W LED/CFL	Compatible	Min: 7 / Max: 100	27
Lutron	DVCL-153PR-WH-C	Triac, 150 W Dimmable CFL/LED	Compatible	Min: 9 / Max: 100	13
Lutron	CTCL-153PDH-WH-C	Triac, 150 W Dimmable CFL/LED	Compatible	Min: 8 / Max: 100	13
Lutron	STCL-153PH-WH-C	Triac, 150 W Dimmable CFL/LED	Compatible	Min: 1 / Max: 100	13
Lutron	DVWCL-153PH-WHC	Triac, 150 W Dimmable CFL/LED	Compatible	Min: 8 / Max: 100	13
Lutron	MACL-153MRHW-WHC	Triac, 150 W Dimmable CFL/LED	Compatible	Min: 1 / Max: 100	13
Lutron	DVELV-300P-WH	300W electronic low voltage dimmer	Compatible	Min: 9 / Max: 100	13
Lutron	MA-PRO-WH	ELV, 250W LED/CFL	Compatible	Min: 2 / Max: 100	22
Lutron	Caseta PD-6WCL-WH-R-C	Triac, 300W Dimmable CFL/LED	Compatible	Min: 3 / Max: 100	27
Lutron	Caseta PD-5NE-WH-C	ELV, LED—up to 250 W	Compatible	Min: 4 / Max: 100	22
Lutron	Caseta PD-10NXD-WH	Triac, LED—up to 250 W	Compatible	Min: 1 / Max: 100	22
Leviton	6672-1LW	Triac, 150W Dimmable CFL/LED	Compatible	Min: 21 / Max: 99	13
Leviton	DSM10	Triac, 450W Dimmable CFL/LED	Compatible	Min: 17 / Max: 98	40
Leviton	6674	Triac, 150 W Dimmable CFL/LED	Compatible	Min: 11 / Max: 99	13
Leviton	IPL06-10Z	Triac, 150 W Dimmable CFL/LED	Compatible	Min: 18 / Max: 99	13
Leviton	DSL06-752	Triac, 150 W Dimmable CFL/LED	Compatible	Min: 18 / Max: 99	13
Leviton	D26HD-742-1RW	Triac, 300W LED/CFL	Compatible	Min: 11 / Max: 100	27
Legrand	RHCL453PNICCV4	Triac, 450W Dimmable CFL/LED	Compatible	Min: 11 / Max: 99	40
Legrand	ADTP703TUM4	Triac, 450W Dimmable CFL/LED	Compatible	Min: 3 / Max: 100	40
Legrand	ADPD453LM2	Triac, 450W Dimmable CFL/LED	Compatible	Min: 39 / Max: 100	40
Legrand	RHL373PW	Triac, 250W LED	Compatible	Min: 7 / Max: 99	22
Control 4	C4-APD120-WH	ELV, 120W LED	Compatible	Min: 1 / Max: 100	10
Control 4	C4-FPD120-WH	Triac, 200W LED	Compatible	Min: 1 / Max: 100	18

\* Minimal buzzing noise may occur with some dimmers