

UCP-LED3

LED 3-Puck Light Kit
Cabinet, Cove & Display

Job Information		
Project Name		Type
Location		
Quantity		Date
Contact/Phone		
Notes		

Features

Puck Light

A 2 watt per LED puck maintains a cool to the touch LED. The LEDs are rated for 50,000 hours. The opal glass shield provides for even lighting.

Light Output

This LED puck light is available in warm white (3000 K) or neutral white (4000 K) colour temperature, providing 130 lumen output per puck, 120° beam angle.

Linkability

Any two puck lights may be linked together with a maximum distance of 52". Up to five pucks from a 12V DC in-line driver (15W max) may be linked in-line (maximum distance from driver to last puck is 10m (33')).

Mounting

These pucks can be surface mounted or recessed. Surface mounting is achieved with the included mounting ring (mounting hardware included), while recessed mounting is achieved with the pressure clips provided on the puck light.

Dimming

Dimmable when used with a dimming driver

Kit Includes

- Three LED puck lights
- One 6' power cord
- One 12V (15 watt max) in-line non-dimming LED driver
- Five port wiring hub

- Mounting hardware
- Rotary switch

Operating Temperature

*-20°C ~ 55°C (-4°F ~ 131°F).

Approvals

cULus listed.

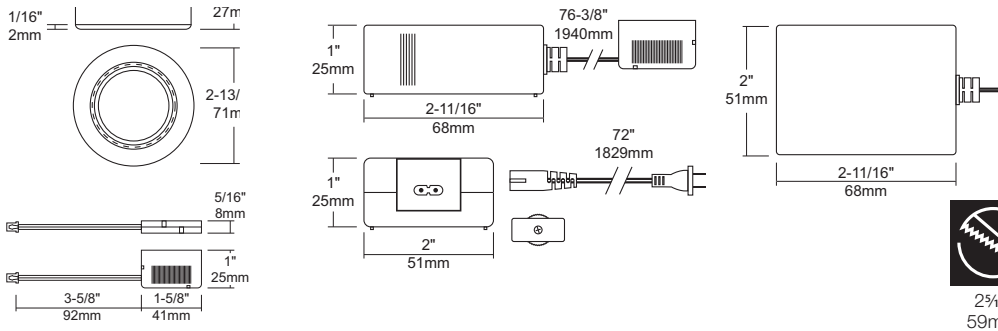


Description

This LED puck light provides an even warm light that delivers enough illumination for any work surface or display, all while consuming less energy than their halogen equivalent. They provide task or accent illumination in residential and commercial indoor applications.



Notes: Accessories sold separately. For additional options please consult your Liteline representative. Due to our continued efforts to improve our products, product specifications are subject to change without notice.



Ordering Guide



UCP-LED3-BK

Black LED 3-puck light kit with 24W in-line LED driver, 3000 K.



UCP-LED3-BRN

Brown LED 3-puck light kit with 24W in-line LED driver, 3000 K.



UCP-LED3-CH

Chrome LED 3-puck light kit with 24W in-line LED driver, 3000 K.



UCP-LED3-MN

Matte nickel LED 3-puck light kit with 24W in-line LED driver, 3000 K.



UCP-LED3-PB

Polished brass LED 3-puck light kit with 24W in-line LED driver, 3000 K.



UCP-LED3-WH

White LED 3-puck light kit with 24W in-line driver, 3000 K.



UCP-LED3-4K-BK

Black LED 3-puck light kit with 24W in-line LED driver, 4000 K.



UCP-LED3-4K-BRN

Brown LED 3-puck light kit with 24W in-line LED driver, 4000 K.



UCP-LED3-4K-CH

Chrome LED 3-puck light kit with 24W in-line LED driver, 4000 K.



UCP-LED3-4K-MN

Matte nickel LED 3-puck light kit with 24W in-line LED driver, 4000 K.



UCP-LED3-4K-PB

Polished brass LED 3-puck light kit with 24W in-line LED driver, 4000 K.



UCP-LED3-4K-WH

White LED 3-puck light kit with 24W in-line driver, 4000 K.

Accessories



LED-TP10-WH

12W LED in-line driver, 12V, white.



LED-HWB12-WH

LED hardware box.



LED-DVR-DIM-12V-20W

20W LED dimmable in-line driver.



LED-HWB-DIM-12V-20W

20W LED dimmable hardware box.



UCT-LED24

24W LED in-line driver.



LED-EL16-WH

LED extension lead.

UCP-LED-6-EL

LED extension lead with bare wire.

Liteline Corporation

Copyright © 2020

All rights reserved.

Telephone

416.996.1856

1.866.730.7704

Fax

905.709.5255

1.888.738.9736

LITELINE.COM