

# TECHNICAL SPECIFICATIONS



POWER UNIT	BQ700	BQ650	BQ550
MAX. SQUARE FOOTAGE OF THE HOME	9,000	7,000	4,000
POWER (AIR WATTS)	700	650	550
SOUND LEVEL (DECIBELS)	63 dB	64 dB	66 dB
FILTRATION	Permanent, self-cleaning HEPA filter	Permanent, self-cleaning HEPA filter	Regular
DEBRIS PAIL CAPACITY (L)	22.7	22.7	22.7 (bag only)
DIMENSIONS D X W X H (IN.)	14 5/8 x 13 1/4 x 38 1/2	14 5/8 x 13 1/4 x 36 7/8	14 5/8 x 13 1/4 x 29 3/4
VOLTAGE	120	120	120
CURRENT RATING (AMP)	13.5	13.5	12
WARRANTY ON PARTS	10 Years	8 Years	5 Years
WARRANTY ON LABOUR	6 Years	5 Years	3 Years



CUSTOMER SERVICE  
1-888-882-7626  
broan.ca

87654 05/19

# SELECT A TOOL SET

## STANDARD tool set BNAK1



**STANDARD FLOOR BRUSH**  
10 in. wide hard floor brush features swivel neck and unique bristle cut to ensure efficient debris collection. Ideal for spaces with no carpet.



**30 FT. CRUSHPROOF HOSE**  
Crushproof hose. Universal wall end to fit most inlet valves.



**STAINLESS STEEL TELESCOPIC WAND**  
Adjustable length ranging from 25 in. to 38 3/8 in.



**LONG CREVICE**  
Notched end, ensures continuous airflow for optimum cleaning in narrow or hard-to-reach places.



**CONVENIENT MULTI-SURFACE BRUSH**  
Large, premium multi-surface floor brush is ideal for cleaning both hard flooring and carpet. Highly maneuverable and durable, this convenient combination floor tool is among the quietest available.



**CRUSHPROOF 30 FT. LOW-VOLTAGE HOSE**  
Crushproof hose features an ergonomic handle with full 360-degree rotation to help prevent wrist strain and hose kinking. Knitted hose sock to protect furniture and trim from scratches (easy installation tube included). Universal wall end to fit most inlet valves. 3-year warranty.



**PREMIUM HARD FLOOR BRUSH**  
Soft bristle floor brush with side channels for better edge cleaning. Scalloped bristle pattern avoids snow plowing debris while controlling air-flow for superior pick-up of all debris.



**MESH STORAGE BAG**  
Keeps tools organized and in easy reach.



## PREMIUM electric tool set BNEK2

**ELECTRIC POWER BRUSH**  
For deep cleaning of medium to high pile carpet. Full-width deluxe brush for maximum cleaning zone. More effective for picking up dirt in corners and along walls.



**CRUSHPROOF 35 FT. DUAL-VOLTAGE HOSE**  
Crushproof hose features an ergonomic handle with full 360-degree rotation to help prevent wrist strain and hose kinking. Knitted hose sock to protect furniture and trim from scratches (easy installation tube included). Universal wall end to fit most inlet valves. 3-year warranty.



**ELECTRIC WAND**  
Dedicated wand for electric power brush.



**PREMIUM HARD FLOOR BRUSH**  
Extra-wide 13 in. premium hard floor brush with soft bristles that are gentle on wood floors. Patented swivel pivot connection allows for effortless maneuvering in tight spaces.

**CARPET GLIDER**  
Pairs with the Turn-N-Clean floor brush for smooth and easy cleaning of rugs and carpet.



**WAND HANGER**  
For easy storage on wall or back of door.



**UPHOLSTERY TOOL**  
For easy cleaning of furniture.



**DUSTING BRUSH**  
Soft bristles won't scratch surfaces.



**STRONG METAL HOSE HANGER**  
For fast and easy hose storage.

★ ALSO SOLD SEPARATELY

With vacuum accessories for virtually every type of flooring, whether it be hard flooring or carpet, Broan makes it easy to keep your home looking its best. Choose the kit that best suits your needs. Kits sold separately.

# OPTIONAL ACCESSORIES

**GK225 GARAGE AND CAR CARE KIT**  
• 50 ft. long crushproof hose allows you to move easily around the garage and the car  
• Kit includes crevice tool, floor brush, dusting brush, upholstery tool, cloth caddy bag and hose hanger



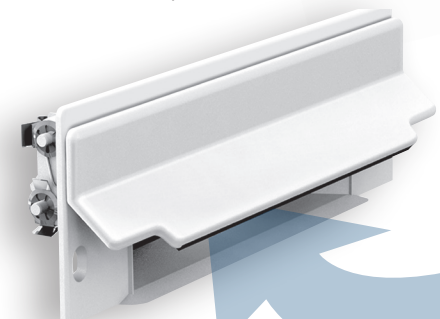
**BN165 AIR-DRIVEN BRUSH**  
• Ideal for homes with a mix of hard floors and carpet. The air-driven turbine cleans low to medium pile carpets effectively and eliminates the need for a separate electric power brush.



**BNHS30 / BNHS35 KNITTED HOSE SOCK**  
• Protects banisters, walls, furniture, floors, wall coverings and moldings  
• Fits all brands and models of hoses  
• Available in 30' length (BNHS30) or 35' length (BNHS35)



**V800W CANSWEEP® INLET VALVE**  
• Makes it easy for debris and dirt to be swept and removed from non-carpeted surfaces  
• For use in kitchen, mudroom and bathroom  
• Available in white only



**V801W CANSWEEP® TRIM PLATE**  
• Available in white only



CENTRAL VACUUMS

UltraSilent™  
Ultra Performance.

AMONG THE QUIETEST IN THE INDUSTRY





# REDEFINING QUIET

Broan central vacuums have been engineered with ULTRASILENT™ sound technology to deliver strong suction power at noise levels among the quietest in the industry.

Whichever model you choose, Broan central vacuum systems are manufactured in Canada according to high quality and safety standards. Quiet, reliable and durable, they are engineered to deliver performance and peace of mind for years to come.



## BQ700

**SO QUIET,  
SO POWERFUL**

POWER

**700**  
AIR WATTS

SURFACE AREA

UP TO  
**9000**  
SQ. FT.

WARRANTY

**10**  
YEARS



LARGE DEBRIS  
PAIL CAPACITY  
**6**  
US GAL.  
22.7 L

## BQ650

**QUIET AND  
EFFICIENT  
CLEANING**

POWER

**650**  
AIR WATTS

SURFACE AREA

UP TO  
**7000**  
SQ. FT.

WARRANTY

**8**  
YEARS



LARGE DEBRIS  
PAIL CAPACITY  
**6**  
US GAL.  
22.7 L

## BQ550

**IDEAL FOR  
COMPACT  
SPACES**

POWER

**550**  
AIR WATTS

SURFACE AREA

UP TO  
**4000**  
SQ. FT.

WARRANTY

**5**  
YEARS



LARGE DISPOSABLE  
BAG CAPACITY  
**6**  
US GAL.  
22.7 L

## ULTRASILENT™ technology

ULTRASILENT™ technology combines sound-absorbing materials and assembly techniques to offer one of the lowest noise levels in the industry. Deep cleaning has never been so peaceful!

- Sound-absorbing high-performance materials
- Rigid structure and anti-vibration mounts to limit vibration noise
- No muffler required

## Sound rating

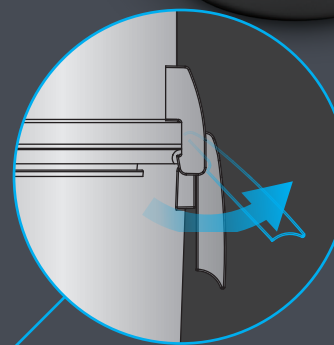
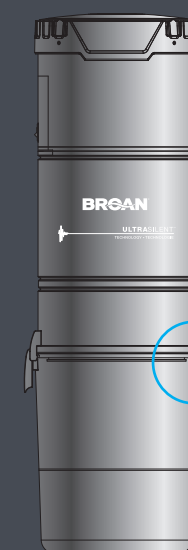
Central vacuum manufacturers' sound testing methods can vary greatly as do the decibel claims for their products. Broan central vacuums are tested in accordance with ASTM standard F1334-02 and are among the quietest available on the market today.



## HEPA filtration

Captures up to 99.97% of all dust and microparticles\*\*. Ensures that exhausted air is clean thus may help to reduce symptoms associated with allergies and respiratory problems.

\*\*as small as 0.3 micron



## So convenient

Large ergonomic latches on the debris pail make emptying your central vacuum child's play. The easy-to-remove debris pail facilitates handling and limits contact with dust.

## EASY TO INSTALL

Perfect for new or replacement installations

A multi-direction vacuum inlet makes installation easy even in small spaces. Each model includes a wall mount support for safe and simple installation. Our five-step installation guide facilitates the work and the quality of execution.

See the complete installation guide on [www.broan.ca](http://www.broan.ca)



Products may not be exactly as shown.