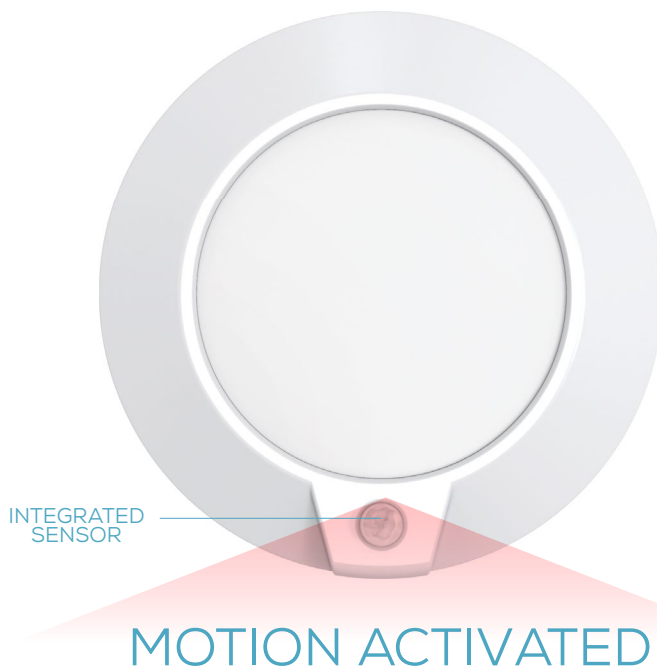


# RAB<sup>®</sup> DESIGN

## SpaceLite PRO

60 second install, mounts to existing junction boxes.



### SPECIFICATIONS

Watts	12
Lumens	1037
Colour Temp.	2700K 4000K
Voltage	120V
Temperature Range	-20°C to +40°C



## DESCRIPTION

Slim LED Ceiling light with occupancy sensor that automatically detects motion & turns light On & Off. Installs in 60 seconds.

## APPLICATIONS



Pantries



Laundry  
Rooms



Work  
Rooms



Closets



Garbage  
Chutes



Crawl  
Spaces



Storage  
Sheds



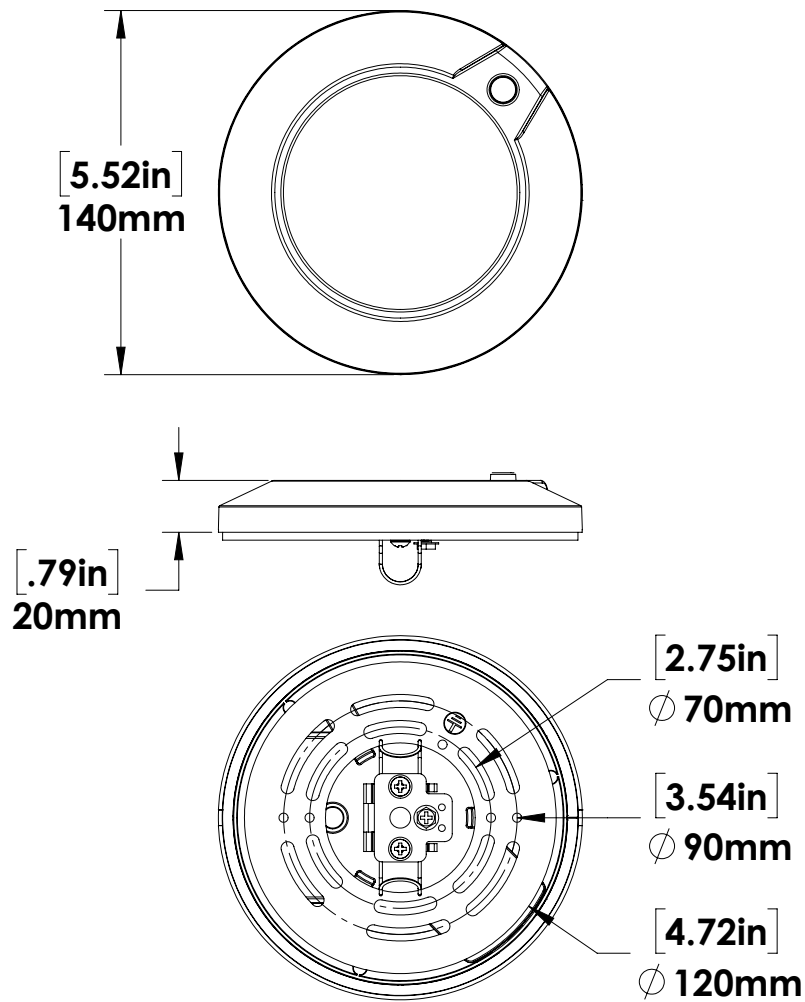
Stairwells

## FEATURES

- Contemporary low profile design
- Easy to install in 60 seconds to existing recessed junction box
- Mounts flush to ceiling for indoor or outdoor applications
- Delivers 1000+ lumens replacing up to 100W incandescent lamp.
- Die cast aluminum housing with polycarbonate lens.
- Rated for damp locations
- Meets NFPA 70, NEC section 410.16, C (1) Requirements.
- Motion sensor hold time ~ 3 minutes.

**DIMENSIONS**

MOTION ACTIVATED



**60 SECOND INSTALLATION**

1. Attach universal mounting plate to the junction box.



2. Connect power.



3. Complete installation by snapping fixture onto mounting plate.



**AMPERAGE DRAW**

CURRENT (A)	
	120V
SPLRP-LED	0.11A

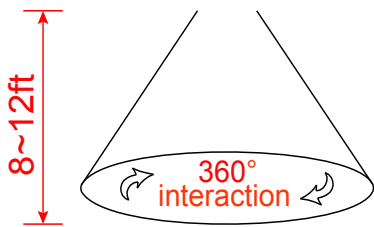
**LUMEN MAINTENANCE**

SPLRP-LED >50,000 Hours

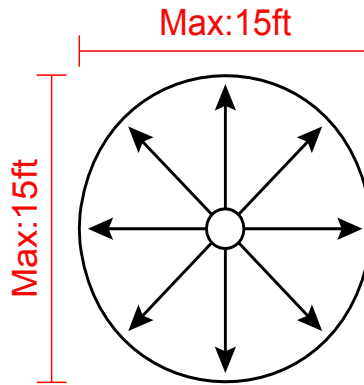
**WEIGHT (lbs)**

SPLRP-LED 0.6

**MOTION DETECTION RANGE**

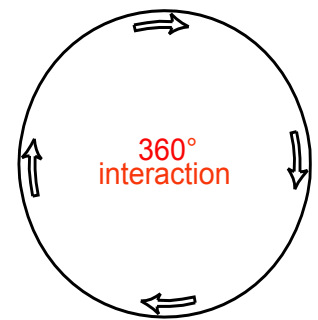


Height of installation 8~12ft



Height of installation 8ft

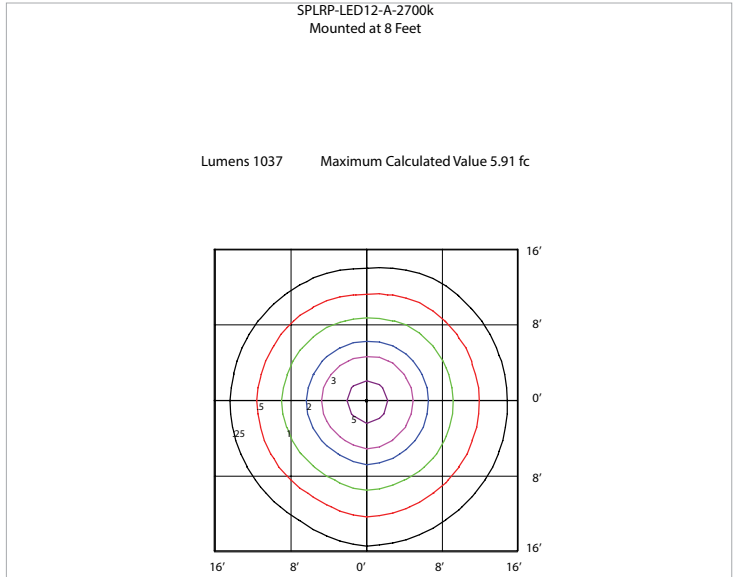
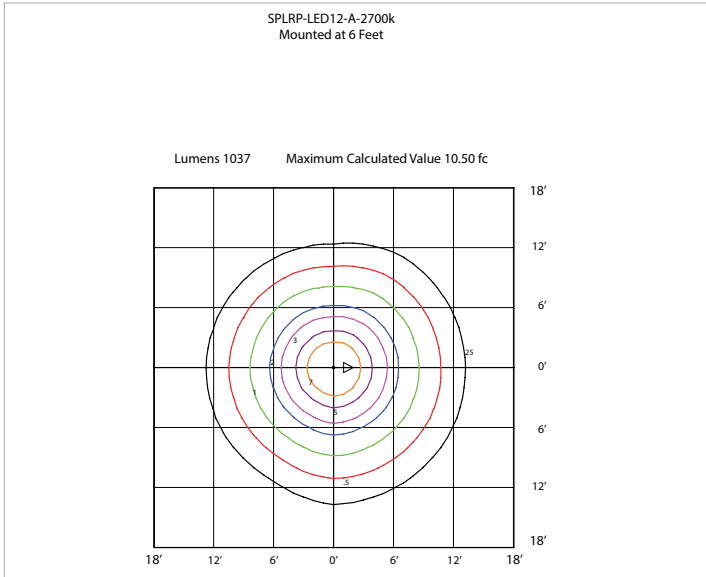
**Detection range**



**Detection range**

**PHOTOMETRICS**

MOTION ACTIVATED



**ORDERING GUIDE**

<b>SPLRP</b>					
<b>WATTS</b>	<b>VOLTAGE</b>	<b>COLOUR TEMP.</b>	<b>FINISH</b>	<b>CONTROLS</b>	
LED12	A - 120V	2.7K - 2700K 4K - 4000K	WHT - WHITE	SMS - MOTION SENSOR	

Version with no sensor available.