

FLEXIBLE. EASY-TO-USE. DURABLE.
BI-METAL HOLE SAWS

DESIGNED WITH TIME SAVINGS AND LONGEVITY
IN MIND. THE UNIVERSAL PRODUCT FOR CUTTING
HOLES IN WOOD AND METAL.



THE ELECTRICIAN'S
CHAMPION



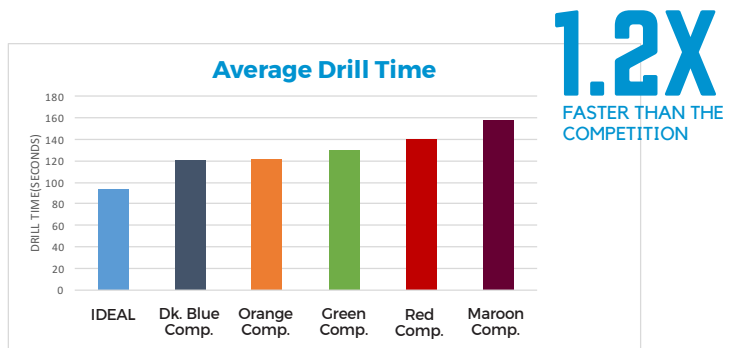
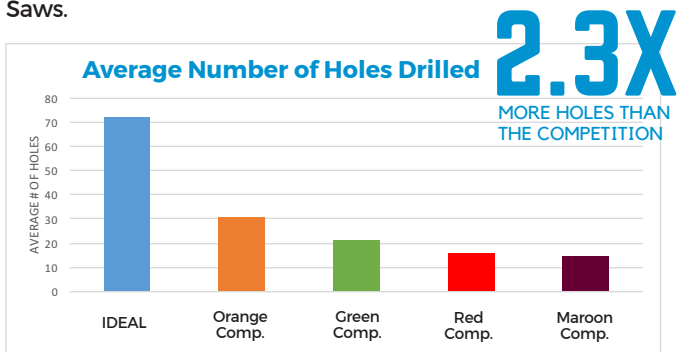
BI-METAL HOLE SAWS

When it comes to purchasing a Bi-Metal Hole Saw, look no further. The IDEAL® Bi-Metal Hole Saw utilizes M42 high-speed steel with 8% premium cobalt and a rigged solid back plate. Providing 2.3x more holes than leading manufactures with the highest strength and greater wear resistance.

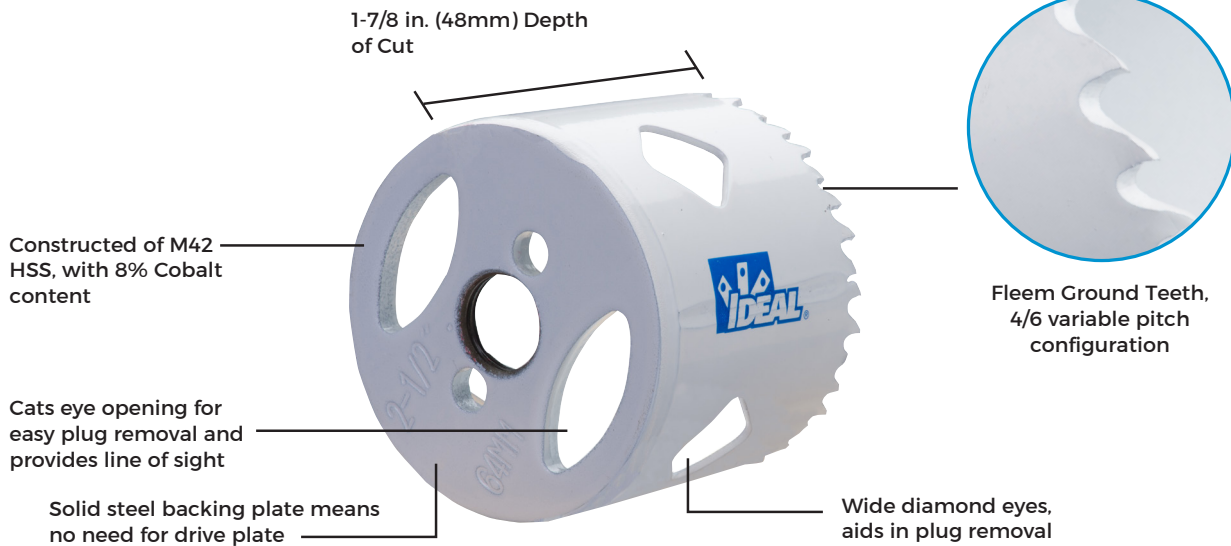
The extreme deep gulletted teeth design clears out uniform chips that minimize binding on the job that provides 1.2x faster drilling time than the leading manufacturers in the market.

With a standard 1-7/8" cutting dept. you can save time cutting 2"x4's with a single pass design. The IDEAL® Bi-Metal Hole Saws effectively cut through a wide range of materials, including stainless steel, sheet metal, as well as common non-ferrous materials, such as aluminum, copper, brass, wood, engineered wood, nail embedded wood and plastics.

When it comes to IDEAL vs. the competition, we have the professional in mind. The wide offering includes sizes from 7/8" to 6" that include diamond side eyes to provide ease of slug removal. The 2" to 6" Bi-Metal Hole Saws have large cat eyes on the back, that not only provide line of sight but aid in plug removal. IDEAL is the professional's choice for Bi-Metal Hole Saws.



Based on test 1-1/8" Bi-Metal Hole Saw with 3/8" Arbor in 1/4" 1018 Mild Steel.



Application Use

Creates holes for pipe and tubing installations, door lock installations, electrical conduit and hoses.

Ideal for a wide array of trades: Electrical, Plumbing, General Construction, Maintenance and Automotive.

Compatible with a variety of materials: mild steel, stainless steel, nailed wood, engineered wood, copper, brass and rod iron.



Bi-Metal Hole Saws

Bi-Metal Hole Saw Diameter		Pipe Tap Size		Pipe Entrance Size		Part No.
Inches	MM	Inches	MM	Inches	MM	
Compatible with 1/4 in. Round Arbor 36-570, 3/8 in. Hex Arbor 36-571, 7/16 in. Hex Arbor 36-572.						
9/16	14					36-511
5/8	16					36-512
11/16	17					36-513
3/4	19	1/2	13	3/8	10	36-514
13/16	21					36-515
7/8	22	3/4	19	1/2	13	36-516
15/16	24					36-517
1	25					36-518
1-1/16	27					36-519
1-1/8	29	1	25	3/4	19	36-520
1-3/16	30					36-521
Bi-Metal Hole Saw Diameter		Pipe Tap Size		Pipe Entrance Size		Part No.
Inches	MM	Inches	MM	Inches	MM	
Compatible with 7/16 in. Hex Arbor 36-573, 3/8 in. Quick Change Arbor 36-574.						
1-1/4 in	32					36-522
1-5/16 in	33					36-523
1-3/8 in	35			1	25	36-524
1-7/16 in	37					36-525
1-1/2 in	38	1-1/4	32			36-526
1-9/16 in	40					36-527
1-5/8 in	41					36-528
1-11/16 in	43					36-529
1-3/4 in	44	1-1/2	38	1-1/4	32	36-530
1-13/16 in	46					36-531
1-7/8 in	48					36-532
2 in	51			1-1/2	38	36-533
2-1/16 in	52					36-534
2-1/8 in	54					36-535

Bi-Metal Hole Saw Diameter		Pipe Tap Size		Pipe Entrance Size		Part No.
Inches	MM	Inches	MM	Inches	MM	
2-1/4 in	57	2	51			36-536
2-5/16 in	59					36-537
2-3/8 in	60					36-538
2-1/2 in	64			2	51	36-539
2-9/16 in	65					36-540
2-5/8 in	67	2-1/2	64			36-541
2-3/4 in	70					36-542
2-7/8 in	73					36-543
3 in	76			2-1/2	64	36-544
3-1/8 in	79					36-545
3-1/4 in	83	3	76			36-546
3-3/8 in	86					36-547
3-1/2 in	89					36-548
3-5/8 in	92			3	76	36-549
3-3/4 in	95	3-1/2	89			36-550
3-7/8 in	98					36-551
4 in	102					36-552
4-1/8 in	104			3-1/2	89	36-553
4-1/4 in	108	4	102			36-554
4-3/8 in	111					36-555
4-1/2 in	114					36-556
4-3/4 in	121	4-1/2	114	4	102	36-557
5 in	127					36-558
5-1/2 in	140			5	127	36-559
5-3/4 in	146					36-560
6 in	152					36-561

All pipe sizes listed in the Pipe Tap Size and Pipe Entrance Size columns are standard industry sizes. All pipes are sized by the nominal inside diameter.

*The sizes listed provide the necessary information whenever a pipe is to be threaded into tanks, boilers, etc. To ensure the best results, the hole should be reamed before tapping with a reamer having a taper of 3/4 in. per foot.

**The sizes listed provide the necessary information for any given pipe size to have sufficient clearance to pass through beams, walls, bulkheads, etc.



Bi-Metal Hole Saw Arbors

Durable solid steel construction provides years of long life performance that will not deflect under pressure of drilling. With a hybrid flat hex set screw in the body, it provides a tight fit to withstand vibration but provides ease of replacement of set screw with use of common flat head screwdriver. 36-574 Quick Change Arbor saves valuable time by allowing quick change of hole saw sizes without the need of tools and without having to remove the arbor from the chuck.

Description	Part No.
1/4 in. Round Arbor for 9/16 in. - 1-3/16 in.	36-570
3/8 in. Hex Arbor for 9/16 in. - 1-3/16 in.	36-571
7/16 in. Hex Arbor for 9/16 in. - 1-3/16 in.	36-572
7/16 in. Hex Arbor for 1-1/4 in. - 6 in.	36-573
3/8 in. Quick Change Arbor for 1-1/4 in. - 6 in.	36-574



Bi-Metal Hole Saw Replacement Pilot Bits

With split point design, replacement pilot drill bits constructed out of high speed steel will start on initial contact for faster penetration and less walking for smooth, fast, cutting experience.

Description	Part No.
4-1/8 in. x 1/4 in. - Fits 36-570 Hole Saw Arbor	36-575
3-1/4 in. x 1/4 in. - Fits 36-571, 36-572, 36-573 & 36-574 Hole Saw Arbor	36-576



Arbor Extension

For boring jobs that require a longer reach, arbor extension adds up to 12 in. of usable length and can easily be connected to the IDEAL line of Bi-metal Hole Saw Arbors.

Description	Part No.
12 in. Extension for 7/16 in. Arbors	36-577

36-577

BI-METAL HOLE SAWS

Optimized for cutting a wide range of materials, from stainless, sheet metal, as well as common non-ferrous materials, such as aluminum, copper, brass, wood, engineered wood, nail embedded wood and plastics. Constructed out of M42 high-speed steel with an additional 8% premium cobalt to with-stand abuse and greater wear resistance. Its 1-7/8 in. cutting depth provides flexibility when going through multiple layers of materials. All kits come in a rugged and durable molded plastic carrying case that can survive extra wear and tear of any project.



Part No.	Hole Saws Included in Kits													Hole Saw Arbors/Extension				
	Hole Saws (in.)																	
	3/4 36-514	7/8 36-516	1 36-518	1-1/8 36-520	1-3/8 36-524	1-1/2 36-526	1-3/4 36-530	2 36-533	2-1/4 36-536	2-1/2 36-539	3 36-544	3-5/8 36-549	4-1/8 36-553	4-1/2 36-556	36-573	36-570	36-572	36-577
36-500		•		•	•		•	•		•				•		•		
36-501		•		•	•		•	•		•	•	•	•	•	•	•	•	•
36-502*	•	•	•	•	•	•	•	•	•	•	•	•	•	•	•	•	•	•

*Includes two 3-1/4 in. x 1/4 in. Pilot Bits (36-576).



36-500
8-Piece Bi-Metal Hole Saw Kit

36-501
14-Piece Bi-Metal Hole Saw Kit

36-502
19-Piece Bi-Metal Hole Saw Kit



WARNING

Electrical and eye injury hazard.

Contact with live voltage may cause injury or death. Do not use on near or on live voltage. Wear eye protection.



Recommended Hole Saw RPM Chart

Bi-Metal Hole Saw Diameter		Material RPM					
Inches	MM	Mild Steel	Tool & Stainless	Cast Iron	Brass	Aluminum	Wood
9/16	14	580	300	400	790	900	3000
5/8	16	550	275	365	730	825	3000
11/16	17	500	250	330	665	750	3000
3/4	19	460	230	300	600	690	3000
13/16	21	399	210	280	560	630	3000
7/8	22	390	195	260	520	585	3000
15/16	24	350	185	245	495	555	2700
1	25	350	175	235	470	525	2700
1-1/16	27	325	160	215	435	480	2700
1-1/8	29	300	150	200	400	450	2700
1-3/16	30	285	145	190	380	425	2400
1-1/4 in	32	275	140	180	360	410	2400
1-5/16 in	33	260	135	175	345	390	2400
1-3/8 in	35	255	130	170	330	375	2400
1-7/16 in	37	240	120	160	315	360	2400
1-1/2 in	38	230	115	150	300	345	2400
1-9/16 in	40	220	110	145	290	330	2100
1-5/8 in	41	210	105	140	280	315	2100
1-11/16 in	43	205	100	135	270	305	2100
1-3/4 in	44	195	95	130	250	295	2100
1-13/16 in	46	190	95	125	250	285	2100
1-7/8 in	48	180	90	120	240	270	2100
2 in	51	170	85	115	230	255	2000
2-1/16 in	52	165	80	110	220	245	2000
2-1/8 in	54	160	80	105	210	240	2000
2-1/4 in	57	150	75	100	200	225	2000
2-5/16 in	59	140	70	95	190	220	2000
2-1/2 in	64	135	65	90	180	205	2000
2-9/16 in	65	130	65	85	175	200	1850
2-5/8 in	67	130	65	85	170	195	1850
2-3/4 in	70	125	60	80	160	185	1800
2-7/8 in	73	120	60	80	160	180	1800
3 in	76	115	55	75	150	170	1800
3-1/8 in	79	110	55	70	140	165	1500
3-1/4 in	83	105	50	70	140	155	1500
3-3/8 in	86	100	50	65	130	150	1500
3-1/2 in	89	95	45	65	130	145	1200
3-5/8 in	92	95	45	60	120	140	1200
3-3/4 in	95	90	45	60	120	135	1200
3-7/8 in	98	85	40	55	110	130	1200
4 in	102	85	40	55	110	130	1000
4-1/8 in	104	80	40	55	110	120	1000
4-1/4 in	108	80	40	55	110	120	900
4-3/8 in	111	75	35	50	100	105	900
4-1/2 in	114	75	35	50	100	105	900
4-3/4 in	121	70	35	45	90	95	900
5 in	127	65	30	40	85	95	800
5-1/2 in	140	60	30	40	80	90	800
5-3/4 in	146	60	30	40	80	90	800
6 in	152	55	25	35	75	85	800